

EOH/LT-07W EEC
EOH/LT-09W EEC
EOH/LT-11W EEC



GB · Oil-filled radiator · User's manual
PL · Chłodnica olejna · Instrukcja obsługi
SR · Uljani radiator · Korisnički priručnik
BG · Маслен радиатор · Ръководство за експлоатация
MK · Маслен радијатор · Упатство за употреба
AL · Radiator vajji · Manuali i përdorimit
CZ · Olejový radiátor · Návod k použití

HU · Olaj hősugárzó · Kezelési útmutató
SI · Oljni radiator · Navodila za uporabo
SK · Olejový radiátor · Používateľská príručka
RO · Radiator cu ulei · Instrucțiuni de exploatare
GR · Καλοριφέρ λαδιού · Οδηγίες χρήσης
HR · Uljni radiator · Upute za uporabu

Fill your life with comfort



Get quick access to instructions, additional
product information and support
at our website
home-comfort.com



Electrolux

2 <http://www.home-comfort.com>

1. ENGLISH.....	4
2. SHQIP	14
3. POLSKI	24
4. ROMÂNĂ.....	34
5. БЪЛГАРСКИ.....	44
6. ΕΛΛΗΝΙΚΑ.....	54
7. ČESKÝ.....	64
8. MAGYAR.....	74
9. SRPSKI	84
10. HRVATSKI	94
11. SLOVENŠČINA.....	104
12. SLOVENSKÝ.....	114
13. МАКЕДОНСКИ	124

CONTENT

1. INTRODUCTION.....	5
2. SAFETY RULES.....	5
3. INSTALLATION RULES.....	6
4. DEVICE OVERVIEW.....	6
5. DEVICE CONTROL PANEL.....	6
6. PREPARATION TO THE WORK.....	6
7. SPECIFICATIONS.....	7
8. QUICK START GUIDE WITH DEVICE.....	7
9. CARE AND MAINTENANCE.....	7
10. TROUBLE-SHOOTING.....	8
11. COMPLETING UNITS.....	8
12. DEVICE STORAGE.....	8
13. RECYCLING.....	8
14. WARRANTY.....	8
15. DATE OF MANUFACTURE.....	8

WE THINK ABOUT YOU

Thank you for purchasing an Electrolux appliance. You have chosen a product, backed by decades of professional experience and innovations. Unique and stylish, it was created with care for you. Therefore, whenever you use it, you can be sure that the results will always be excellent. Welcome to Electrolux!

On our website you can:



Find product recommendations, user manuals, maintenance information:
<http://www.home-comfort.com/support/>



Buy a product in your city:
<http://www.home-comfort.com/search/find-a-store/>



While selling this device, dealer must fill "Product details" section located on the inside of the back cover of this manual.



Designation



Caution/Important safety information



Common information and recommendations

Warranty service is performed according to the terms specified in the "Warranty" section.

Note:

In the text of this manual, the oil heater may have such technical names as device, device, apparatus, etc.

This product is only suitable for well insulated spaces or occasional use.

Introduction

Please read and strictly follow the requirements contained in this manual. Please keep the manual and documents confirming the date of purchase of the device in a safe place for easy retrieval and use.

The device is intended for air heating in household premises.

Safety rules



Caution!

Non-following the manual can cause serious injury or serious equipment damage.

When using the device, observe the general safety rules when using electrical devices. Failure to follow safety instructions and instructions can result in electric shock, fire and/or serious injury.

Before using the appliance, please read the following safety precautions carefully:

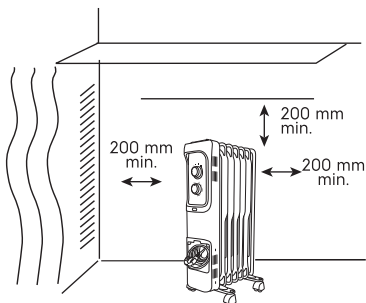
- Read the manual before operating the heater and keep it handy.
- Use the heater only at the voltage indicated on the product label.
- Do not block or restrict the air flow through the inlet and outlet grilles to avoid overheating and fire.
- Do not place the heater in close proximity to any surface, as this may result in overlapping grilles and obstructed air intake and exhaust.
- Do not place the heater close to heating appliances.
- Do not use the heater in areas where fuel, paint, or other flammable liquids are used or stored.
- This appliance becomes hot during use. To avoid burns, do not touch the hot surface. Turn off the appliance and let it cool down before moving it to another location.
- Do not use a heater to dry clothes.
- Do not immerse the device in liquid, be careful not to get liquid inside the device, it may cause electric shock.
- Do not reach the device if dropped into water. Remove the plug from the socket immediately.
- Do not use a heater with a damaged and/or damaged or frayed power cable.
- The mains cable must be positioned so that it is not stepped on, that it is not abraded, torn, kinked or otherwise damaged.
- Do not touch a running heater with wet hands.
- When cleaning the device, do not use abrasive detergents. Clean it with a damp cloth (not wet) and hot water. Always unplug the appliance before cleaning.
- Do not connect the device to a power source until complete assembly and adjustment.
- Do not use the appliance in the immediate vicinity of a bath, shower, or other container of liquid.
- The device must be used in an upright position.
- Switch off the appliance and let it cool down before moving it.
- Do not use the appliance with a twisted power cord as this may cause overheating and/or accidents.
- We do not recommend using an extension cord.
- Do not remove the plug from the socket before turning off the appliance.
- When removing the plug from the socket, do not pull on the wire - grasp the plug itself.
- When the device is not in use, disconnect it from the mains.
- This appliance is not suitable for use on long pile and Flokati carpets.
- During operation, make sure that the wire does not touch the heated surface.
- Do not hide the wire under carpets, or place rugs, etc. on top. Position the wire so that you do not trip over it.
- Do not twist, bend or twist the wire around the heater, as this can cause abrasion and deterioration of the insulation. Make sure that the wire is pulled out to its full length.
- Do not use the appliance outdoors or leave it on a wet floor.
- Do not put the appliance into storage while it is still hot.
- Do not let children play with the appliance.
- The appliance should not be placed directly next to/under an outlet.
- To prevent overheating, do not cover the heater.
- Damaged power cord must be replaced by your dealer to avoid accidents.
- To avoid resetting the thermal fuse, this appliance should not be used in conjunction with auxiliary switching devices. Also, the appliance should not be connected to a circuit that is often short-circuited and opened.
- Use this device only for its intended purpose, as described in this manual. Any other use

6 <http://www.home-comfort.com>

is not recommended by the manufacturer and may result in fire, electric shock or accident.

- This appliance is intended for home use only, it is not recommended for industrial use.

Installation rules



Device overview

General form

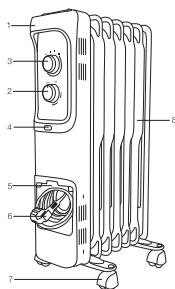


Fig. 1

1. Carrying handle
2. Control thermostat
3. Turn on/off the device, select the operating power
4. Indicator of device operation
5. Compartment for storing the power cord
6. Power cord
7. Legs with casters
8. Instrument body

Device control panel

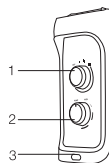


Fig. 2

1. Keys for selecting the operating mode:
 - OFF - turn off the device
 - I - turning on the heater, choosing the power (EOH/LT-07W EEC - 600 W; EOH/LT-09W EEC - 800W; EOH/LT-11W EEC - 1000 W)
 - II - turning on the heater, power selection (EOH/LT-07W EEC - 900 W; EOH/LT-09W EEC - 1200W; EOH/LT-11W EEC - 1500 W)
 - III - power selection (EOH/LT-07W EEC - 1500 W; EOH/LT-09W EEC - 2000W; EOH/LT-11W EEC - 2200 W)
2. Control thermostat
3. Device operation indicator

Preparation to the work

- Take the device out of the packaging.
- Make sure the instrument is off.
- Fix the device in a stable position according to the assembly and installation instructions. Leave the disconnected device in an upright position for 30 minutes before turning it on.
- It is not recommended to use the same electrical outlet to connect this heater and other high power electrical equipment at the same time to avoid overloading your electrical network.

Specifications

Parameter/Model	EOH/LT-07W EEC	EOH/LT-09W EEC	EOH/LT-11W EEC
Number of the sections	7	9	11
Heating power, W	1500/900/600	2000/1200/800	2200/1200/1000
Power supply, V ~ Hz	220-240-50-60	220-240-50-60	220-240-50-60
Current strength, A	6.8	9.1	10
Electrical protection class	I	I	I
Dust and moisture protection class, IP	IP20	IP20	IP20
Heating area, m ² *	up to 20	up to 25	up to 27
Device dimensions (W×H×D), mm	250×650×360	250×650×440	250×650×520
Package dimensions (W×H×D), mm	415×705×140	495×705×140	575×705×140
Net weight, kg	8.3	10.1	11.9
Gross weight, kg	9.2	11.2	13.1

* Indicated is a guideline value and may differ depending on actual conditions of use. The manufacturer reserves the right to make the changes

Quick start guide with device

Installing the appliance

The device is installed on legs for free movement.

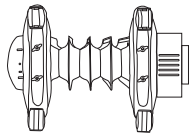


Fig. 3

The set of legs is fixed as follows:

- Turn the heater upside down (Fig. 3);
- Pass the support leg bar through the retainer;
- Secure the other end of the strip with a nut.

Switching on/selecting the operating power of the heater

- To turn the heater on, switch the bottom control panel knob to the right, select the desired power.

Setting the temperature

- To set the required heating temperature and keep it constant, turn on the heater at full power by moving the thermostat control knob to the "max" position. When the room temperature reaches a comfortable

level, slowly turn the thermostat control knob to the left until you hear a click. Thus, the device remembers the comfortable temperature and maintains it automatically switching on and off.

Shutdown

- To turn the heater off, switch the power selection knob to the «OFF» position. The device turns off.

Overheating protection function

- The heater switches off automatically in case of overheating.

Roll-over protection function

- The device is equipped with an automatic switch, which is activated if the device deviates from the working position. The heater switches off automatically.

Care and maintenance

The oil heater does not require any special maintenance.

Before servicing (leaving) the heater must be disconnected from the power supply.

The body of the device should be cleaned from time to time with a soft cloth or damp sponge. Never use abrasive, foaming detergents or solvents.

Trouble-shooting

Trouble-shooting's feature	Cause of the trouble-shooting	Trouble-shooting steps
No heating	1) Unreliable power cord connection. 2) The heater is off. 3) The actual room temperature is higher than the thermostat setting	1) Make a reliable connection. 2) Set the heater to operating mode. 3) Adjust the temperature mode of the heater

Completing units

- Oil-filled heater
- Fasteners
- A set of the legs with wheels
- Instruction

Device storage

Before storing device, make sure the heater is cooled down.

In case if you don't plan to use the device for a long time it's recommended to clean the heater and store it (preferably in the original packaging) in a cool dry place.

Recycling



The time-expired appliance can't be disposed with household waste (2012/19/EU).

Warranty

Warranty service is performed according to the terms specified in the "Warranty" section.

Warranty:

- Warranty period for the item is two years from the purchase date. If any defects occur due to defects in materials and/or workmanship during this two-year warranty period, the item should be repaired or replaced.
- Free maintenance or replacement is possible only in case if convincing evidence is provided, for example a stub, which confirms that the day when the service is requested, is within the warranty period.
- The warranty does not cover products

and/or parts of the product that are subjects to deterioration, may be considered as expendable supplies or which are made of glass.

- The warranty is void if the defect is caused by damage ensuing by misuse, poor maintenance (for example, a failure occurred due to ingress of foreign objects or liquids) or if changes or repairs were performed by persons not authorized by the Manufacturer.
- For the correct use of the product, the user must strictly follow all included in the manual instructions, and also must avoid any action or manipulation described as unwanted or indicated so in this manual.
- These warranty restrictions do not affect your statutory rights.

Support:

The support during and after the warranty period is available in all countries where the product is officially distributed. Please contact your dealer for help.

Date of manufacture

The date of manufacture is indicated on a sticker on the body of the appliance, and also encrypted in Code-128. The date of manufacture is determined as follows:

SN XXXXXXXX XXXX XXXXXX XXXXX

month and year of production

Do not remove and keep safe the serial number on the device's body. If the serial number sticker is lost or damaged, it will not be possible to restore the production date if necessary.

Importer:

Manufacturer: CladSwiss AG, Bahnhofstrasse
27, 6300 Zug, Switzerland. E-mail: info@
cladswiss.com

Made in PRC

Electrolux is a registered trademark used
under license from AB Electrolux (publ.).

The manufacturer reserves the right to modify
the design and characteristics of the device.

This manual may contain technical and typing
errors. Changes to technical characteristics
and assortment are subject to change without
notice.

Mistakes and typing errors may be permitted
in texts and numeric notations.
Product design and technical data may vary
from the one pictured on the packaging.
Please refer to a sales consultant for more
detailed information.

Information requirement for the electric local space heaters					
Model identifier(s): Sport Line EOH/LT-07W EEC					
Item	Symbol	Value	Unit	Item	Unit
Heat output			Type of heat input, for electric storage local space heaters only (select one)		
Nominal heat output	P_{nom}	1.5	kW	manual heat charge control, with integrated thermostat	YES
Minimum heat output (indicative)	P_{min}	0.6	kW	manual heat charge control with room and/or outdoor temperature feedback	NO
Maximum continuous heat output	$P_{max,c}$	1.5	kW	electronic heat charge control with room and/or outdoor temperature feedback	NO
Auxiliary electricity consumption			fan assisted heat output		NO
At nominal heat output	$e_{l,max}$	N/A	kW	Type of heat output/room temperature control (select one)	
At minimum heat output	$e_{l,min}$	N/A	kW	single stage heat output and no room temperature control	NO
In standby mode	$e_{l,SB}$	N/A	kW	two or more manual stages, no room temperature control	NO
				with mechanic thermostat room temperature control	YES
				with electronic room temperature control	NO
				electronic room temperature control plus day timer	NO
				electronic room temperature control plus wEEC timer	NO
Other control options (multiple selections possible)					
				room temperature control, with presence detection	NO
				room temperature control, with open window detection	NO
				with distance control option	NO
				with adaptive start control	NO
				with working time limitation	NO
				with black bulb sensor	NO
Contact details	Manufacturer: CladSwiss AG, Bahnhofstrasse 27, 6300 Zug, Switzerland E-mail: info@cladswiss.com				

Information requirement for the electric local space heaters					
Model identifier(s): Sport Line EOH/LT-09W EEC					
Item	Symbol	Value	Unit	Item	Unit
Heat output			Type of heat input, for electric storage local space heaters only (select one)		
Nominal heat output	P_{nom}	2.0	kW	manual heat charge control, with integrated thermostat	YES
Minimum heat output (indicative)	P_{min}	0.8	kW	manual heat charge control with room and/or outdoor temperature feedback	NO
Maximum continuous heat output	$P_{max,c}$	2	kW	electronic heat charge control with room and/or outdoor temperature feedback	NO
Auxiliary electricity consumption			fan assisted heat output		
			NO		
At nominal heat output	$e_{l,max}$	N/A	kW	Type of heat output/room temperature control (select one)	
At minimum heat output	$e_{l,min}$	N/A	kW	single stage heat output and no room temperature control	NO
In standby mode	$e_{l,SB}$	N/A	kW	two or more manual stages, no room temperature control	NO
				with mechanic thermostat room temperature control	YES
				with electronic room temperature control	NO
				electronic room temperature control plus day timer	NO
				electronic room temperature control plus wEEC timer	NO
Other control options (multiple selections possible)					
				room temperature control, with presence detection	NO
				room temperature control, with open window detection	NO
				with distance control option	NO
				with adaptive start control	NO
				with working time limitation	NO
				with black bulb sensor	NO
Contact details	Manufacturer: CladSwiss AG, Bahnhofstrasse 27, 6300 Zug, Switzerland E-mail: info@cladswiss.com				

Information requirement for the electric local space heaters					
Model identifier(s): Sport Line EOH/LT-IIW EEC					
Item	Symbol	Value	Unit	Item	Unit
Heat output			Type of heat input, for electric storage local space heaters only (select one)		
Nominal heat output	P_{nom}	2.2	kW	manual heat charge control, with integrated thermostat	YES
Minimum heat output (indicative)	P_{min}	1	kW	manual heat charge control with room and/or outdoor temperature feedback	NO
Maximum continuous heat output	$P_{max,c}$	2.2	kW	electronic heat charge control with room and/or outdoor temperature feedback	NO
Auxiliary electricity consumption			fan assisted heat output		NO
At nominal heat output	$e_{l,max}$	N/A	kW	Type of heat output/room temperature control (select one)	
At minimum heat output	$e_{l,min}$	N/A	kW	single stage heat output and no room temperature control	NO
In standby mode	$e_{l,SB}$	N/A	kW	two or more manual stages, no room temperature control	NO
				with mechanic thermostat room temperature control	YES
				with electronic room temperature control	NO
				electronic room temperature control plus day timer	NO
				electronic room temperature control plus wEEC timer	NO
Other control options (multiple selections possible)					
				room temperature control, with presence detection	NO
				room temperature control, with open window detection	NO
				with distance control option	NO
				with adaptive start control	NO
				with working time limitation	NO
				with black bulb sensor	NO
Contact details	Manufacturer: CladSwiss AG, Bahnhofstrasse 27, 6300 Zug, Switzerland E-mail: info@cladswiss.com				

PERMBAJTJE

1. HYRJE	15
2. RREGULLAT E SIGURISË.....	15
3. RREGULLAT E INSTALIMIT.....	16
4. VËSHTRIM I PËRGJITHSHËM I PAJISJES.....	16
5. PANELI I KONTROLLIT TË PAJISJES.....	16
6. PËRGATITJA PËR PËRDORIM	16
7. NJË UDHËZUES I SHPEJTË PËR TË PUNUAR ME PAJISJEN.....	16
8. KARAKTERISTIKAT TEKNIKE.....	17
9. PËRKUJDESJE DHE MIRËEMBAJTJE.....	17
10. ZGJIDHJA E DEFEKTEVE.....	18
11. KOMPLETIMI	18
12. RUAJTJE E PAJISJES.....	18
13. RICIKLIMI.....	18
14. DETYRIMET E GARANCISË.....	18
15. DATA E PRODHIMIT.....	18

NE MENDOJMË PËR JU

Ju falënderojmë për blerjen e një pajisje Electrolux. Ju keni zgjedhur një produkt të mbështetur nga dekada përvojë profesionale dhe inovacioni. Unike dhe me stil, ajo ishte dizajnuar duke menduar për ju. Prandaj, sa herë që e përdorni, mund të jeni i sigurt që rezultatet gjithmonë do të jenë të shkëlqyera. Mirë se vini në Electrolux!

Në faqen tonë të internetit ju gjeni:



Gjeni rekomandimet për përdorimin të produktit, manualët e, informacionin e mirëmbajtjes: <http://www.home-comfort.com/support/>



Bleni një produkt në qytetin tuaj:
<http://www.home-comfort.com/search/find-a-store/>



Pas shitjes së pajisjes, shitësi duhet të plotesoje pjesën "Product details", e cila ndodhet në faqen e fundit të këtij manuali.



Simbolet e përdorur



Kujdes/të dhënat e rëndësishme për rregullat e sigurisë



Informacioni i përgjithshëm dhe rekomandime

Shërbimi i garancisë kryhet në përputhje me kushtet e specifikuar në seksionin "Detyrimet e garancisë".

Shënim:

Në tekstin e këtij manuali, ngrohësi më vaji mund të ketë emra teknikë si pajisje, kalorifer, aparat, etj.

Kjo pajisje është e përshtatshme vetëm për ambiente brendshme të izoluar ose për përdorim periodik.

Hyrje

Ju lutemi lexoni dhe ndiqni me përpikëri kërkesat e përmbytura në këtë manual. Ruani manualin dhe dokumentet që konfirmojnë datën e blerjes së pajisjes në një vend të sigurt, më qellim që te merrni dhe të përdorni këtë manual më lehtësi në të ardhmen.

Pajisja është konstruktuar për ngrohjen e ajrit në ambientet shtëpiake.

Rregullat e sigurisë



Vëmendje!

Rregullat të cilat, nëse nuk ndiqen, mund të rezultojnë në trauma ose dëmtim serioz të pajisjeve.

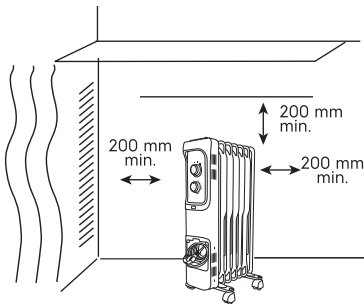
Kur përdorni pajisjen, respektoni rregullat e përgjithshme të sigurisë për përdorimin e pajisjeve elektrike. Mosrespektimi i udhëzimeve dhe rregullave të sigurisë mund të rezultojë në goditje elektrike, zjarr dhe/ose dëmtim serioz. Para përdorimit të pajisjes, lexoni me kujdes rregullat e mëposhtme të sigurisë:

- Para se të përdorni ngrohësin, lexoni manualin dhe mbajeni në një vend të arritshëm.
- Përdorni ngrohësin vetëm në tensionin e treguar në etiketën e pajisjes.
- Mos e pengoni ose kufizoni rrjedhën e ajrit nëpër rrjetet hyrëse dhe dalëse për të shmangur mbinxehjen dhe zjarrin.
- Mos e vendosni ngrohësin në afërsi të çdo lloje sipërfaqeje, pasi kjo mund të rezultojë në bllokim të rrjeteve të marrjes dhe daljes së ajrit.
- Mos e vendosni ngrohësin pranë pajisjeve të ngrohjes.
- Mos e përdorni ngrohësin në vendet ku përdoren ose ruhen lëndë djegëse, bojë ose lëngje të tjera të ndezshme.
- Kjo pajisje nxeht gjatë përdorimit. Për të shmangur djegiet, mos prekni sipërfaqen e nxehtë. Fikni pajisjen dhe lëreni të ftohet para se ta zhvendosni në një vend tjetër.
- Mos përdorni këtë ngrohës për të tharë rrobat.
- Mos e zhytni pajisjen në fluide, kini kujdes që të mos shkojnë fluide brenda pajisjes, kjo mund të rezultojë në goditje elektrike.
- Mos e nxirni pajisjen nëse ajo ra në ujë. Shkëputni menjëherë nga priza.
- Mos përdorni ngrohësin me një kablo energjie të dëmtuar dhe/ose të prishur.
- Kabloja e rrjetit duhet të jetë e pozicionuar në atë mënyrë që të mos përthyer, që të mos shkelet më këmbë, mos të formohen leqet apo të dëmtohet ndryshe.
- Mos prekni ngrohësin i vënë në punë me duar të lagura.
- Mos përdorni pastrues gërryes kur pastroni pajisjen. Pastrojeni atë me një leckë të lagur (jo të lagësht) dhe ujë të nxehtë. Gjithmonë shkëputni pajisjen nga rrjeti përpara se të pastroni.
- Mos e lidhni pajisjen me një burim energjie deri në montimin dhe rregullimin e plotë.
- Mos e përdorni pajisjen në afërsi të banjës, dushit ose enës tjetër më fluide.
- Pajisja duhet të përdoret në një pozicion të drejtë.
- Fikni pajisjen dhe lëreni të ftohet para se ta lëvizni.
- Mos e përdorni pajisjen me një kablo energjie të shtrembëruar, përndryshe mund të rezultojë nga mbinxehja dhe/ose aksidentet.
- Nuk rekomandohet përdorimi i një kablo zgjatues.
- Mos e hiqni nga priza para se të fikni pajisjen.
- Kur hiqni pajisjen nga priza, mos e tërhiqni telin - mbërtheni kokën e kablos.
- Hiqni pajisjen nga priza kur nuk është në përdorim.
- Kjo pajisje nuk është e përshtatshme për t'u përdorur në tapetat më qimet të gjata dhe tapetet Flokati.
- Gjatë funksionimit, sigurohuni që kablo të mos prekë sipërfaqen e nxeht.
- Mos e fshihni kablлон nën qilima, ose tapeta, etj. Poziciononi kablлон në mënyrë që të mos shkeleni më këmbë sipër saj.
- Mos e rrotulloni, bëjini lakimin nga kablo rreth ngrohësit pasi kjo mund të shkaktojë dëmtimi i izolim të kablos. Sigurohuni që kablo të nxirret në gjatësinë e tij të plotë.
- Mos e përdorni pajisjen jashtë ose e lini në një dysheme të lagur.
- Mos e vendosni pajisjen në ruajtje ndërsa është akoma nxehtë.
- Mos i lini fëmijët të luajnë me pajisjen.
- Pajisja nuk duhet të vendoset direkt pranë/ nën një prizë.
- Për të parandaluar mbinxehjen, mos mbuloni ngrohësin.
- Një kablo energjie e dëmtuar duhet të zëvendësohet për të shmangur aksidentet.
- Për të mos rënë siguresa termike, kjo pajisje nuk duhet të përdoret së bashku me një pajisje fikësi ndihmëse. Gjithashtu, pajisja nuk

duhet të jetë e lidhur me një rreth të rrejtët që shpesh fiket dhe ndizet.

- Përdoreni këtë pajisje vetëm për qëllimin e tij të synuar dhe në përputhje me këtë manual. Çfarëdo lloje përdorim tjetër nuk rekomandohet nga prodhuesi dhe mund të rezultojë në zjarr, goditje elektrike ose dëmtim.
- Kjo pajisje është dizajnuar vetëm për përdorim shtëpiak, nuk rekomandohet për përdorim industrial.

Rregullat e instalimit



Vështrim i përgjithshëm i pajisjes

Pamja e përgjithshme

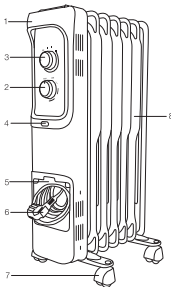


Fig. 1

1. Dorëza për transportim
2. Termostati i kontrollit
3. Ndezja e pajisjes on/off, zgjedhje e fuqisë së punës
4. Indikator i punës
5. Hapësira për ruajtjen e kablos së energjisë elektrike
6. Kablo e energjisë elektrike
7. Këmbëzat me rrota
8. Trupi i pajisjes

Paneli i kontrollit të pajisjes

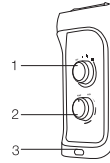


Fig. 2

1. Butonat të zgjedhjes së regjimit të funksionimit
 OFF - ndezja e pajisjes off
 I - ndezje e ngrohësit, zgjedhje e fuqisë (EOH/LT-07W EEC - 600 W; EOH/LT-09W EEC - 800W; EOH/LT-11W EEC - 1000 W)
 II - ndezja e ngrohësit, zgjedhje e fuqisë (EOH/LT-07W EEC - 900 W; EOH/LT-09W EEC - 1200W; EOH/LT-11W EEC - 1500 W)
 III - zgjedhja e fuqisë (EOH/LT-07W EEC - 1500 W; EOH/LT-09W EEC - 2000W; EOH/LT-11W EEC - 2200 W)
2. Termostati i kontrollit
3. Indikator i funksionimit të pajisjes

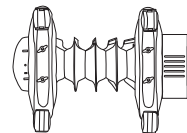
Përgatitja për përdorim

- Hiqni paketimin e pajisjes.
- Sigurohuni që pajisje të jetë i fikur.
- Fiksni pajisjen në një pozicion të qëndrueshëm në përputhje me udhëzimet e montimit dhe instalimit. Lini pajisjen e fikur në një pozicion të drejtë për 30 minuta para se të ndizni.
- Nuk rekomandohet të përdorni të njëjtën prizë elektrike për të lidhur këtë ngrohës dhe pajisje të tjera elektrike me fuqi të lartë në të njëjtën kohë, në mënyrë që të mos mbingarkoni rrjetin tuaj elektrik.

Një udhëzues i shpejtë për të punuar me pajisjen

Instalimi i pajisjes

Pajisja ka këmbëzat të montuara për lëvizjen të lirë.



Fik. 3

Karakteristikat teknike

Parametri/Modeli	EOH/LT-07W EEC	EOH/LT-09W EEC	EOH/LT-11W EEC
Numri i seksioneve	7	9	11
Fuqia e ngrohjes, W	1500/900/600	2000/1200/800	2200/1200/1000
Furnizim me energji elektrike, V - Hz	220-240-50-60	220-240-50-60	220-240-50-60
Fuqia e rrymës, A	6.8	9.1	10
Klasa e mbrojtjes elektrike	klasa e I	klasa e I	klasa e I
Klasa e mbrojtjes kundër pluhuri dhe lagështisë	IP20	IP20	IP20
Zona e ngrohjes, m ² *	deri ne 20	deri ne 25	deri në 27
Dimensionet të pajisjes (W×H×D), mm	250×650×360	250×650×440	250×650×520
Dimensionet të paketimit (W×H×D), mm	415×705×140	495×705×140	575×705×140
Peshë Neto kg	8.3	10.1	11.9
Pesha bruto, kg	9.2	11.2	13.1

*Vlerat e treguara janë të përafërta dhe mund të ndryshojnë në varësi të kushteve aktuale të funksionimit. Prodhuesi rezervon të drejtën të bëjë ndryshime

Montoni këmbëzat si më poshtë:

- Kthejeni ngrohësin me kokë poshtë (fig. 3);
- Kaloni shiritin e këmbës mbështetëse përmes mbajtësit;
- Siguroni skajin tjetër të shiritit me një fiksues.

Ndezja/zgjedhja e fuqisë të punës së ngrohësit

- Për të ndezur pajisjen, ktheni çelësin e poshtëm të panelit të kontrollit në të djathtë, zgjidhni fuqinë të pajisjes e dëshiruar

Vendosja e temperaturës

- Për të vendosur temperaturën e kërkuar të ngrohjes dhe për të mbajtur një temperaturë të përhershëm të dhomës, ndizni pajisjen me energji të plotë duke lëvizur çelësin e kontrollit të termostatit në pozicionin «maksimal». Kur temperatura e dhomës të arrijë një nivel të rehatshëm për ju, filloni ta ktheni ngadalë çelësin i kontrollit të termostatit në të majtë derisa të dëgjoni një klikim. Kështu, pajisja do të ruajë temperaturën që është e rehatshme për ju dhe do ta mbajë atë duke u ndezur dhe u fikur automatikisht.

Fikje

- Për të fikur ngrohësin, ktheni çelësin e përzgjedhjes së energjisë në pozicionin «OFF». Pajisja do të fiket.

Funksioni i mbrojtjes nga mbinxehja

- Ngrohësi fiket automatikisht në rast së mbinxehjes.

Funksioni i mbrojtjes nga rënia

- Ngrohësi është e pajisur me ndërprerës që aktivizohet kur pajisja devijon(bihet) nga pozicioni i funksionimit. Ngrohësi fiket automatikisht.

Përkujdesje dhe mirëmbajtje

Ngrohësi më vaj nuk kërkon ndonjë mirëmbajtje të veçantë.

Para se të bëni servis (mirëmbajtja) ngrohësi duhet të shkëputet nga rrjeti.

Trupi i pajisjes duhet të pastrohet herë pas here me një leckë të butë ose një sfungjer të lagur. Në asnjë mënyrë mos përdorni pastrues gërryes, shkumës ose tretës.

Zgjidhja e defekteve

Defekti	Shkaku i defektit	Veprimi korrigjues
Nuk ngrohet	1) Lidhja e kablos elektrike është e parregullt. 2) Ngrohësi është fikur. 3) Temperatura aktuale e dhomës tejkalon atë të vendosur të termostati.	1) Krijoni një lidhje të rregullt. 2) Vini ngrohësin në punë. 3) Rregulloni nivelin e temperaturës së ngrohësit.

Kompletimi

- Ngrohësi kalorifer I mbushur më vaj
- Elemente fiksues
- Një komplet këmbëzash me rrota
- Manuali i përdorimit

Ruajtje e paisjes

Para se te vendosni pajisjen ne vendin e ruajtjes provoni se është I ftohur komplet. Rekomandohet të pastroni ngrohësin dhe ta ruani (mundësisht në paketimin origjinal) në një vend të thatë të ftohtë nëse planifikoni të mos përdorni pajisjen për një kohë të gjatë.

Riciklimi



Kjo pajisje nuk mund të hidhet me mbeturina shtëpiake (2012/19/EU).

Detyrimet e garancisë

Shërbimi i garancisë kryhet në përputhje me kushtet e specifikuar në seksionin "Detyrimet e garancisë".

Garancia:

- Periudha e garancisë për produktin është dy vjet nga data e blerjes. Nëse gjatë kësaj periudhë garancie dy vjeçare çdo defekt që rrjedh nga mangësi në materiale dhe/ose mjeshtëri pune produkti do të riparohet ose zëvendësohet.
- Riparimi ose zëvendësimi falas është i mundur vetëm nëse sigurohet prova bindëse, për shembull me duke përdorur një dëftesë që konfirmon atë dita në të cilën kërkohet shërbimi është brenda garancisë afat.

- Garancia nuk përfshin produktet dhe/ose pjesë të produktit që janë vesh dhe lot që mund të konsiderohen si harxhues në natyrë ose të cilat janë bërë prej qelqi.
- Garancia është e pavlefshme nëse defekti të shkaktuar nga dëmtimi i shkaktuar nga jo i duhur përdorimi i duhur, mirëmbajtja e dobët të jetuarit (për shembull, refuzimi ishte për shkak hyrja brenda produktit nga të huajt objekte ose lëngje) ose nëse riparimet ose riparimet janë kryer nga persona jo i autorizuar nga Prodhuesi
- Për përdorimin e saktë të produktit, përdoruesi duhet të përmbahet në mënyrë rigorozë të gjitha udhëzimet e përfshira NË manualin e përdoruesit dhe duhet të përmbahet nga çdo veprim ose manipulim që përshkruhet si - personale ose për të cilat ka udhëzime në manualin e përdoruesit.
- Këto kufizime të garancisë nuk ndikojnë në të drejtat tuaja ligjore.

Mbështetja:

Mbështetja gjatë dhe pas periudhës së garancisë mund të merret në të gjitha vendet ku produkti shpërndahet zyrtarisht. Ju lutemi kontaktoni shitësin tuaj për ndihmë.

Data e prodhimit

Data e prodhimit është shënuar në një letër ngjites në kapak, dhe gjithashtu është e koduar në Code-128.

Data e prodhimit përcaktohet si më poshtë:

SN XXXXXXX XXXX XXXXXX XXXXX

muaji dhe viti i prodhimit.

Mos e fshini dhe ruani numrin serial të pajisjes. Humbja ose dëmtimi i letrës ngjites më numrin serial, në raste së nevojës, nuk do të lejojë të përcaktohet data e prodhimit.

Importues:

Prodhues: CladSwiss AG,
Bahnhofstrasse 27, 6300 Zug, Zvicër.
E-mail: info@cladswiss.com

E prodhuar në Kinë

Electrolux është një markë tregtare e regjistruar e përdorur nën licencën e AB Electrolux (botuar).

Prodhuesi rezervon të drejtën për të bërë ndryshime në dizajn dhe karakteristikat e pajisjes.

Në tekst dhe numra, udhëzimet mund gabime teknike dhe gabime tipografike. Ndryshimet në specifikime dhe asortimenti mund të prodhohet pa njoftim paraprak.

Mund të gjenden disa gabimet në shkrim, në tekste dhe numra. Dizajni dhe të dhënat teknike të pajisjes mund të ndryshojnë nga ato të treguara në paketim. Ju lutemi kontaktoni konsulentin tuaj të shitjes për më shumë informacion.

Informacionit për këtë ngrohës elektrik të hapësirës lokal					
Identifikues (et) e modelit: Sport Line EOH/LT-07W EEC					
Të dhënat	Symbol	Vlera	Njësia e	Lloji	Njësia
Prodhimi i nxehtësisë				Lloji i prodhuesit të nxehtësisë, për ngrohësit elektrikë lokale më mundësi ruajtjes (zgjidhni një)	
prodhimi i nxehtësisë nominal	P_{nom}	1.5	kW	kontrolli manual i ngarkesës së nxehtësisë, me termostat të integruar	PO
Prodhimi minimal i nxehtësisë (indikator)	P_{min}	0.6	kW	kontrolli manual i ngarkesës së nxehtësisë me reagime për temperaturën e dhomës dhe / ose të hapësirës së jashtëm	NUK
Maksimumi i vazhdueshëm të prodhimit të nxehtësisë	$P_{max,c}$	1.5	kW	kontrolli elektronik i ngarkesës së nxehtësisë me reagime për temperaturën e dhomës dhe / ose të hapësirës së jashtëm	NUK
Konsumi shtesë i energjisë elektrike				Nxirrje e nxehtësisë nëpërmjet ventilatorii	
Të prodhimi i nxehtësisë nominal	$e_{l,max}$	N/A	kW	Lloji i prodhimit të nxehtësisë / kontrollit të temperaturës së dhomës (zgjidhni një)	
Të prodhimi minimal i nxehtësisë (indikator)	$e_{l,min}$	N/A	kW	prodhim i nxehtësisë me një fazë të vetme dhe pa kontroll të temperaturës së dhomës	NUK
Në regjimin të pritjes	$e_{l,SB}$	N/A	kW	dy ose më shumë faza manuale, pa kontroll të temperaturës së dhomës	NUK
				me termostat mekanikë dhe më kontroll të temperaturës së dhomës	PO
				me termostat elektronik dhe më kontroll të temperaturës së dhomës	NUK
				me termostat elektronik dhe më kontroll të temperaturës së dhomës dhe kohëmatësi ditor	NUK
				me termostat elektronik dhe më kontroll të temperaturës së dhomës dhe kohëmatësi javor	NUK
				Mundësi të tjera të kontrollit (zgjedhje të shumëfishta të mundshme)	
				kontroll i temperaturës në dhomë, me zbulimin e pranisë së dikujt	NUK
				kontroll të temperaturës në dhomë, me identifikimi i dritares së hapur	NUK
				më kontrollin të distancës	NUK
				me kontrollin adaptues të fillimit të punës	NUK
				me kufizim të kohës së punës	NUK
				me sensori e llambës zezë	NUK
Detajet e kontaktit	Prodhues: CladSwiss AG, Bahnhofstrasse 27, 6300 Zug, Zvicër. E-mail: info@cladswiss.com				

Informacionit për këtë ngrohës elektrik të hapësirës lokal					
Identifikues (et) e modelit: Sport Line EOH/LT-09W EE					
Të dhënat	Symbol	Vlera	Njësia e	Lloji	Njësia
Prodhimi i nxehtësisë				Lloji i prodhimit të nxehtësisë, për ngrohësit elektrike lokale më mundësi ruajtjes (zgjidhni një)	
prodhimi i nxehtësisë nominal	P_{nom}	2.0	kW	kontrolli manual i ngarkesës së nxehtësisë, me termosta të integruar	PO
Prodhimi minimal i nxehtësisë (indikator)	P_{min}	0.8	kW	kontrolli manual i ngarkesës së nxehtësisë me reagime për temperaturën e dhomës dhe / ose të hapësirës së jashtëm	NUK
Maksimumi i vazhdueshëm të prodhimit të nxehtësisë	$P_{max,c}$	2.0	kW	kontrolli elektronik i ngarkesës së nxehtësisë me reagime për temperaturën e dhomës dhe / ose të hapësirës së jashtëm	NUK
Konsumi shtesë i energjisë elektrike				Nxirrje e nxehtësisë nëpërmjet ventilatorii	
Të prodhimi i nxehtësisë nominal	$e_{l,max}$	N/A	kW	Lloji i prodhimit të nxehtësisë / kontrollit të temperaturës së dhomës (zgjidhni një)	
Të prodhimi minimal i nxehtësisë (indikator)	$e_{l,min}$	N/A	kW	prodhim i nxehtësisë me një fazë të vetme dhe pa kontroll të temperaturës së dhomës	NUK
Në regjimin të pritjes	$e_{l,SB}$	N/A	kW	dy ose më shumë faza manuale, pa kontroll të temperaturës së dhomës	NUK
				me termosta mekanikë dhe më kontroll të temperaturës së dhomës	PO
				me termosta elektronik dhe më kontroll të temperaturës së dhomës	NUK
				me termosta elektronik dhe më kontroll të temperaturës së dhomës dhe kohëmatësi ditor	NUK
				me termosta elektronik dhe më kontroll të temperaturës së dhomës dhe kohëmatësi javor	NUK
				Mundësi të tjera të kontrollit (zgjedhje të shumëfishta të mundshme)	
				kontroll i temperaturës në dhomë, me zbulimin e pranisë së dikujt	NUK
				kontroll të temperaturës në dhomë, me identifikimi i dritares së hapur	NUK
				më kontrollin të distancës	NUK
				me kontrollin adaptues të fillimit të punës	NUK
				me kufizim të kohës së punës	NUK
				me sensori e llambës zezë	NUK
Detajet e kontaktit	Prodhues: CladSwiss AG, Bahnhofstrasse 27, 6300 Zug, Zvicër. E-mail: info@cladswiss.com				

Informacionit për këtë ngrohës elektrik të hapësirës lokal					
Identifikues (et) e modelit: Sport Line EOH/LT-11W EEC					
Të dhënat	Symbol	Vlera	Njësia e	Lloji	Njësia
Prodhimi i nxehtësisë				Lloji i prodhimit të nxehtësisë, për ngrohësit elektrike lokale më mundësi ruajtjes (zgjidhni një)	
prodhimi i nxehtësisë nominal	P_{nom}	2.2	kW	kontrolli manual i ngarkesës së nxehtësisë, me termosta të integruar	PO
Prodhimi minimal i nxehtësisë (indikator)	P_{min}	1	kW	kontrolli manual i ngarkesës së nxehtësisë me reagime për temperaturën e dhomës dhe / ose të hapësirës së jashtëm	NUK
Maksimumi i vazhdueshëm të prodhimit të nxehtësisë	$P_{max,c}$	2.2	kW	kontrolli elektronik i ngarkesës së nxehtësisë me reagime për temperaturën e dhomës dhe / ose të hapësirës së jashtëm	NUK
Konsumi shtesë i energjisë elektrike				Nxirrje e nxehtësisë nëpërmjet ventilatorii	
Të prodhimi i nxehtësisë nominal	$e_{l,max}$	N/A	kW	Lloji i prodhimit të nxehtësisë / kontrollit të temperaturës së dhomës (zgjidhni një)	
Të prodhimi minimal i nxehtësisë (indikator)	$e_{l,min}$	N/A	kW	prodhim i nxehtësisë me një fazë të vetme dhe pa kontroll të temperaturës së dhomës	NUK
Në regjimin të pritjes	$e_{l,SB}$	N/A	kW	dy ose më shumë faza manuale, pa kontroll të temperaturës së dhomës	NUK
				me termosta mekanikë dhe më kontroll të temperaturës së dhomës	PO
				me termosta elektronik dhe më kontroll të temperaturës së dhomës	NUK
				me termosta elektronik dhe më kontroll të temperaturës së dhomës dhe kohëmatësi ditor	NUK
				me termosta elektronik dhe më kontroll të temperaturës së dhomës dhe kohëmatësi javor	NUK
				Mundësi të tjera të kontrollit (zgjedhje të shumëfishta të mundshme)	
				kontroll i temperaturës në dhomë, me zbulimin e pranisë së dikujt	NUK
				kontroll të temperaturës në dhomë, me identifikimi i dritares së hapur	NUK
				më kontrollin të distancës	NUK
				me kontrollin adaptues të fillimit të punës	NUK
				me kufizim të kohës së punës	NUK
				me sensori e llambës zezë	NUK
Detajet e kontaktit	Prodhues: CladSwiss AG, Bahnhofstrasse 27, 6300 Zug, Zvicër. E-mail: info@cladswiss.com				

ZAWARTOŚĆ

1. WSTĘP.....	25
2. ZASADY BEZPIECZEŃSTWA.....	25
3. ZASADY INSTALACJI.....	26
4. OGÓLNY PRZEGLĄD URZĄDZENIA.....	26
5. PANEL STEROWANIA URZĄDZENIA.....	26
6. PRZYGOTOWANIE DO PRACY.....	26
7. DANE TECHNICZNE.....	27
8. SKRÓCONA INSTRUKCJA OBSŁUGI URZĄDZENIA.....	27
9. PIELĘGNACJA I KONSERWACJA.....	27
10. ROZWIĄZYWANIE PROBLEMÓW.....	28
11. KOMPLETOWANIE.....	28
12. SKŁADOWANIE URZĄDZENIA.....	28
13. UTYLIZACJA.....	28
14. GWARANCJA.....	28
15. DATA PRODUKCJI.....	28

MYŚLIMY O WAS

Dziękujemy że kupili urządzenia Electrolux. Wybrali Państwo produkt poparty dziesięcioleciaми doświadczenia zawodowego i innowacji. Wyjątkowy i stylowy, stworzony z troską o państwo. Dlatego za każdym razem, gdy go będziecie używać, możecie być pewni, że efekty zawsze będą doskonałe. Witamy w Electrolux!

Na naszej stronie internetowej możesz:



Znaleźć rekomendacje produktów, instrukcje obsługi, informacje o konserwacji:
<http://www.home-comfort.com/support/>



Kupić produkt w swoim mieście:
<http://www.home-comfort.com/search/find-a-store/>



Sprzedając to urządzenie, sprzedawca powinien wypełnić rozdział „Szczegóły produktu”, co się znajduje na wewnętrznej stronie tylnej okładki niniejszej instrukcji.



Używane symbole



Uwaga/Ważne informacje dotyczące bezpieczeństwa



Generalne informacje i zalecenia

Serwis gwarancyjny jest wykonywany na warunkach określonych w punkcie „Gwarancja”.

Uwaga:

W tekście tej instrukcji grzejnik olejowy może mieć takie nazwy techniczne jak urządzenie, przyrząd, aparat itp.

To urządzenie nadaje się tylko do dobrze izolowanych pomieszczeń lub do sporadycznego użytku.

Wstęp

Prosimy o przeczytanie oraz ściśle przestrzeganie wymagań zawartych w tej instrukcji. Prosimy o przechowywanie instrukcji oraz dokumentów, potwierdzających datę zakupu urządzenia w bezpiecznym miejscu w celu łatwego wyszukania i użycia.

Urządzenie przeznaczone jest do ogrzewania powietrza w pomieszczeniach mieszkalnych.

Zasady bezpieczeństwa



Uwaga!

Wymagania, których nieprzestrzeganie może spowodować poważne obrażenia ciała lub poważne uszkodzenie sprzętu.

Podczas korzystania z urządzenia należy przestrzegać ogólnych zasad bezpieczeństwa. Nieprzestrzeganie zasad bezpieczeństwa i instrukcji może spowodować porażenie prądem, pożar i/lub poważne obrażenia ciała. Przed przystąpieniem do eksploatacji urządzenia należy uważnie przeczytać poniższe zasady bezpieczeństwa:

- Przed użyciem grzejnika należy przeczytać instrukcję obsługi i przechowywać ją w dostępnym miejscu.
- Grzejnik należy używać tylko przy napięciu wskazanym na etykiecie urządzenia.
- Nie blokuj ani nie ograniczaj przepływu powietrza przez kratki wlotowe i wylotowe, aby uniknąć przegrzania i pożaru.
- Nie należy umieszczać grzejnika w pobliżu żadnej powierzchni, co może spowodować zablokowanie się kratki i utrudnione dopływanie i usuwanie powietrza.
- Nie należy umieszczać grzejnika w pobliżu urządzeń grzewczych.
- Nie używaj grzejnika w miejscach, w których używane jest paliwo, farba lub inne łatwopalne płyny.
- Urządzenie nagrzewa się podczas pracy. Aby uniknąć poparzeń, nie dotykaj gorącej powierzchni. Wyłącz urządzenie i pozwól mu ostygnąć przed przeniesieniem w inne miejsce.
- Nie używaj grzejnika do suszenia ubrań.
- Nie zanurzać urządzenia w cieczy, uważać, aby ciecz nie dostała się do wnętrza urządzenia, co może spowodować porażenie prądem elektrycznym.
- Nie wyjmuj urządzenia w przypadku upadnięcia do wody. Natychmiast wyjmij

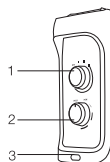
wtyczkę z gniazdka.

- Nie należy używać grzejnika z uszkodzonym i/lub uszkodzonym lub zużytym kablem zasilającym.
- Kabel sieciowy musi być umieszczony w taki sposób, aby nie nadepnął na niego, aby nie ścierał się, nie rozdarł, nie tworzył pętli ani nie ulegał innym uszkodzeniom.
- Nie wolno dotykać nagrzewnicy mokrymi rękami.
- Podczas czyszczenia urządzenia nie należy używać ściernych środków czyszczących. Wyczyść go wilgotną szmatką (nie mokrą) zwilżoną gorącą wodą. Zawsze odłączaj urządzenie od sieci przed czyszczeniem.
- Nie należy podłączać urządzenia do źródła zasilania aż do pełnego montażu i regulacji.
- Nie należy używać urządzenia w pobliżu wanny, prysznicza lub innych pojemników z cieczą.
- Urządzenie musi być używane w pozycji pionowej.
- Przed przeniesieniem wyłącz urządzenie i pozostaw do ostygnięcia.
- Nie należy używać urządzenia ze zwiniętym przewodem zasilającym, co może prowadzić do przegrzania i/lub wypadków.
- Nie zaleca się używania przedłużacza.
- Nie należy wyjmować wtyczki przed wyłączeniem urządzenia.
- Wyjmując wtyczkę z gniazdka, nie ciągnij za przewód – trzymaj się samej wtyczki.
- Jeśli urządzenie nie jest używane, odłącz je od zasilania.
- To urządzenie nie nadaje się do stosowania na dywanach z długimi włosami i dywanach Flokatowych.
- Podczas pracy należy uważać, aby przewód nie dotykał ogrzewanej powierzchni.
- Nie chowaj drutu pod wykładziną, nie kładź na wierzchu dywanów, dywanów itp.
- Nie skręcaj, nie zginaj ani nie zwiijaj przewodu wokół grzejnika, może to spowodować ścieranie i zużycie izolacji. Upewnij się, że drut jest wyjęty na całej długości.
- Nie używaj urządzenia na zewnątrz ani nie zostawiaj go na wilgotnej podłodze.
- Nie należy umieszczać urządzenia w miejscu, w którym jest ono jeszcze gorące.
- Nie zezwalaj dzieciom na zabawę z urządzeniem.
- Urządzenia nie należy umieszczać bezpośrednio w pobliżu/pod gniazdem.
- Aby zapobiec przegrzaniu, nie należy przykrywać grzejnika.

- Uszkodzony przewód zasilający musi być zastąpiony przez sprzedającego, aby uniknąć wypadków.
- Aby uniknąć resetowania bezpiecznika termicznego, tego urządzenia nie należy używać wraz z dodatkowymi urządzeniami wyłączającymi. Ponadto urządzenia nie należy podłączać do obwodu, który często się zwiernia i otwiera.
- Urządzenie należy używać wyłącznie zgodnie z przeznaczeniem zgodnie z niniejszą instrukcją. Żadne inne użycie nie jest zalecane przez producenta i może spowodować pożar, porażenie prądem lub wypadek.
- To urządzenie jest przeznaczone tylko do użytku domowego, nie zaleca się używać go do celów przemysłowych.

6. Przewód zasilający
7. Nogi z rolkami
8. Obudowa urządzenia

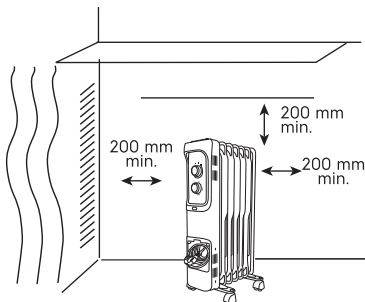
Panel sterowania urządzenia



Rys. 2

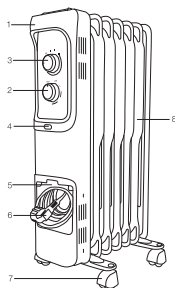
1. Klawisze wyboru trybu pracy:
 OFF - wyłączenie urządzenia
 I - włączenie grzałki, wybór mocy (EOH/LT-07W EEC - 600 Wt; EOH/LT-09W EEC - 800 Wt; EOH/LT-11W EEC - 1000 Wt)
 II - włączenie grzałki, wybór mocy (EOH/LT-07W EEC - 900 Wt; EOH/LT-09W EEC - 1200 Wt; EOH/LT-11W EEC - 1500 Wt)
 III - moc wyboru (EOH/LT-07W EEC - 1500 Wt; EOH/LT-09W EEC - 2000 Wt; EOH/LT-11W EEC - 2200 Wt)
2. Termostat regulacyjny
3. Wskaźnik pracy urządzenia

Zasady instalacji



Ogólny przegląd urządzenia

Widok ogólny



Rys. 1

1. Uchwyt do przenoszenia
2. Termostat regulacyjny
3. Włączanie/wyłączanie urządzenia, wybór mocy roboczej
4. Wskaźnik pracy urządzenia
5. Schowek na przewód zasilający

Przygotowanie do pracy

- Wyjąć urządzenie z opakowania.
- Upewnić się, że urządzenie jest wyłączone.
- Zamocować urządzenie w stabilnej pozycji zgodnie z instrukcją montażu. Pozostaw odłączone urządzenie w pozycji pionowej na 30 minut przed jego włączeniem.
- Nie zaleca się używania tego samego gniazdka elektrycznego w celu jednoczesnego włączenia do niego grzejnika i innych urządzeń elektrycznych o dużej mocy, aby uniknąć przetądowania sieci elektrycznej.

Dane techniczne

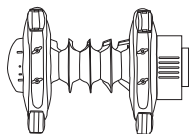
Parametr/Model	EOH/LT-07W EEC	EOH/LT-09W EEC	EOH/LT-11W EEC
Liczba sekcji	7	9	11
Moc grzewcza, Wt	1500/900/600	2000/1200/800	2200/1200/1000
Zasilanie, W ~ Hz	220-240-50-60	220-240-50-60	220-240-50-60
Natężenie prądu, A	6.8	9.1	10
Klasa ochrony elektrycznej	I	I	I
Stopień ochrony przed kurzem, IP	IP20	IP20	IP20
Powierzchnia grzewcza, m ² *	do 20	do 25	do 27
Wymiary urządzenia (S×W×G), mm	250×650×360	250×650×440	250×650×520
Wymiary opakowania (S×W×G), mm	415×705×140	495×705×140	575×705×140
Waga netto, kg	8.3	10.1	11.9
Waga brutto, kg	9.2	11.2	13.1

*Podano wartość orientacyjną, która może się różnić w zależności od rzeczywistych warunków pracy. Producent zastrzega sobie prawo do wprowadzania zmian.

Skrócona Instrukcja obsługi urządzenia

Instalacja urządzenia

Urządzenie jest zamontowane na nogach, aby zapewnić swobodny ruch.



Rys. 3

Mocowanie zestawu nóg odbywa się w następujący sposób:

- Obrócić grzejnik dolną częścią do góry (rys. 3);
- Popchnąć poprzeczkę nogi podporowej przez blokadę;
- Zabezpieczyć drugi koniec listwy nakrętką.

Włączanie/wybijanie mocy roboczej grzałki

- Aby włączyć urządzenie, przekręć dolne pokrętło panelu sterowania w prawo, wybierz żądaną moc urządzenia.

Ustawienie temperatury

- Aby ustawić wymaganą temperaturę grzania i utrzymać stałą temperaturę w pomieszczeniu, należy włączyć

urządzenie na pełną moc, przesuwając pokrętło termostatu do pozycji „max”. Gdy temperatura w pomieszczeniu osiągnie komfortowy poziom, zacznij powoli obracać pokrętło termostatu w lewo, aż usłyszysz kliknięcie. Dzięki temu urządzenie zapamięta komfortową dla Ciebie temperaturę i będzie ją utrzymywało automatycznie włączając i wyłączając.

Wyłączenie

- Aby wyłączyć grzałkę, przekręć pokrętło wyboru mocy do pozycji „OFF”. Urządzenie wyłączy się.

Funkcja ochrony przed przegrzaniem

- Grzejnik wyłączy się automatycznie w przypadku przegrzania.

Funkcja ochrony przed przewróceniem

- Urządzenie jest wyposażone w wyłącznik automatyczny, który jest aktywowany, gdy urządzenie odchyli się od pozycji roboczej. Grzejnik wyłączy się automatycznie.

Pielęgnacja i konserwacja

Grzejnik olejowy nie wymaga specjalnej konserwacji.

Przed przystąpieniem do konserwacji należy wyłączyć grzejnik z gniazdko elektrycznego. Obudowę urządzenia należy od czasu do

czasu czyścić miękką szmatką lub wilgotną gąbką. W żadnym wypadku nie należy stosować środków ściernych, piankowych ani rozpuszczalników.

Rozwiązywanie problemów

Objaw awarii	Przyczyna awarii	Kroki rozwiązywania problemów
Brak ogrzewania	1) Niewiarygodne podłączenie przewodu zasilającego. 2) Grzejnik jest wyłączony. 3) Rzeczywista temperatura w pomieszczeniu przekracza ustawienie termostatu.	1) Ustanowić niezawodne połączenie. 2) Ustaw grzejnik w trybie pracy. 3) Ustaw temperaturę pracy grzejnika.

Kompletowanie

- Nagrzewnica olejowa
- Elementy złączne
- Zestaw nóg z kółkami
- Instrukcja

Składowanie urządzenia

Przed składowaniem urządzenia upewnij się, że nagrzewnica ostygła. W przypadku, gdy nie planujesz używać urządzenia przez dłuższy czas, zaleca się wyczyszczyć nagrzewnicę i składować jej (najlepiej w oryginalnym opakowaniu) w chłodnym i suchym miejscu.

Utylizacja



Urządzenie, którego termin upłynął, nie może być wyrzucane wraz z odpadami domowymi (2012/19/UE).

Gwarancja

Serwis gwarancyjny jest wykonywany na warunkach określonych w punkcie "Gwarancja".

Gwarancja:

- Okres gwarancji wynosi dwa lata od daty zakupu. Jeśli w trakcie dwuletniego okresu gwarancji wystąpią jakiegokolwiek wady spowodowane wadami materiałowymi

i/lub produkcyjnymi, przedmiot należy naprawić lub wymienić.

- Bezpłatna naprawa lub wymiana jest możliwa tylko w przypadku dostarczenia przekonujących dowodów, na przykład odcinka, który potwierdza, że dzień zgłoszenia usługi mieści się w okresie gwarancyjnym.
- Gwarancja nie obejmuje produktów i/ lub części produktu, które ulegają zepsuciu, mogą być uważane za materiały zużywalne lub które są wykonane ze szkła.
- Gwarancja traci ważność, jeżeli wada jest spowodowana uszkodzeniem wynikającym z niewłaściwego użytkowania, złej konserwacji (np. Awaria powstała na skutek wniknięcia ciał obcych lub płynów) lub jeśli zmiany lub naprawy zostały wykonane przez osoby nieupoważnione przez Producenta.
- Dla prawidłowego użytkowania produktu użytkownik musi ściśle przestrzegać wszystkich instrukcji zawartych w instrukcji obsługi, i powinien powstrzymać się od wszelkich działań lub manipulacji, które są opisane jako niepożądane lub o których są wskazówki w instrukcji obsługi.
- Te ograniczenia gwarancyjne nie mają wpływu na twoje prawa.

Wsparcie:

Wsparcie w okresie gwarancyjnym i po jego zakończeniu jest dostępne we wszystkich krajach, w których produkt jest oficjalnie dystrybuowany. Skontaktuj się ze sprzedawcą, aby uzyskać pomoc.

Wymagana informacja dotycząca miejscowych elektrycznych ogrzewaczy pomieszczeń					
Identyfikator(y) modelu: Sport Line EOH/LT-07W EEC					
Nazwa	Symbol	Wartość	Unit	Nazwa	Jednostka
Moc cieplna			Typ dopływu ciepła tylko dla lokalnych grzejników (wybrać jeden)		
Nominalna moc cieplna	P_{nom}	1.5	kW	ręczne sterowanie dopływem ciepła, ze zintegrowanym termostatem	TAK
Minimalna moc cieplna (orientacyjna)	P_{min}	0.6	kW	ręczne sterowanie dopływem ciepła ze sprzężeniem zwrotnym temperatury w pomieszczeniu i/lub na zewnątrz	NIE
Maksymalna ciągła moc cieplna	$P_{max,c}$	1.5	kW	elektroniczna regulacja dopływu ciepła ze sprzężeniem zwrotnym temperatury w pomieszczeniu i/lub na zewnątrz	NIE
Dodatkowe zużycie energii elektrycznej			moc cieplna wspomagana przez wentylator		NIE
Przy nominalnej mocy cieplnej	$e_{l,max}$	N/A	kW	Typ mocy cieplnej/temperatury w pomieszczeniu (wybrać jeden)	
Przy minimalnej mocy cieplnej	$e_{l,min}$	N/A	kW	jednostopniowa moc cieplna bez regulacji temperatury w pomieszczeniu	NIE
W trybie czuwania	$e_{l,SB}$	N/A	kW	dwa lub więcej stopni regulacji ręcznej, bez regulacji temperatury w pomieszczeniu	NIE
				z mechaniczną regulacją temperatury w pomieszczeniu za pomocą termostatu	TAK
				z elektroniczną regulacją temperatury w pomieszczeniu	NIE
				elektroniczna regulacja temperatury w pomieszczeniu oraz programator dzienny	NIE
				elektroniczna regulacja temperatury w pomieszczeniu oraz programator tygodniowy	NIE
Inne opcje sterowania (można wybrać kilka)					
				regulacja temperatury w pomieszczeniu z funkcją wykrywania obecności	NIE
				regulacja temperatury w pomieszczeniu z funkcją wykrywania otwartego okna	NIE
				z opcją zdalnego sterowania	NIE
				z adaptacyjną kontrolą startu	NIE
				z ograniczeniem czasu pracy	NIE
				z czujnikiem przepalenia żarówki	NIE
Dane kontaktowe	Producent: CladSwiss AG, Bahnhofstrasse 27, 6300 Zug, Szwajcaria. E-mail: info@cladswiss.com				

Wymagana informacja dotycząca miejscowych elektrycznych ogrzewaczy pomieszczeń					
Identyfikator(y) modelu: Sport Line EOH/LT-09W EEC					
Nazwa	Symbol	Wartość	Unit	Nazwa	Jednostka
Moc cieplna			Typ dopływu ciepła tylko dla lokalnych grzejników (wybrać jeden)		
Nominalna moc cieplna	P_{nom}	2.0	kW	ręczne sterowanie dopływem ciepła, ze zintegrowanym termostatem	TAK
Minimalna moc cieplna (orientacyjna)	P_{min}	0.8	kW	ręczne sterowanie dopływem ciepła ze sprzężeniem zwrotnym temperatury w pomieszczeniu i/lub na zewnątrz	NIE
Maksymalna ciągła moc cieplna	$P_{max,c}$	2.0	kW	elektroniczna regulacja dopływu ciepła ze sprzężeniem zwrotnym temperatury w pomieszczeniu i/lub na zewnątrz	NIE
Dodatkowe zużycie energii elektrycznej			moc cieplna wspomagana przez wentylator		NIE
Przy nominalnej mocy cieplnej	$e_{l,max}$	N/A	kW	Typ mocy cieplnej/temperatury w pomieszczeniu (wybrać jeden)	
Przy minimalnej mocy cieplnej	$e_{l,min}$	N/A	kW	jednostopniowa moc cieplna bez regulacji temperatury w pomieszczeniu	NIE
W trybie czuwania	$e_{l,SB}$	N/A	kW	dwa lub więcej stopni regulacji ręcznej, bez regulacji temperatury w pomieszczeniu	NIE
				z mechaniczną regulacją temperatury w pomieszczeniu za pomocą termostatu	TAK
				z elektroniczną regulacją temperatury w pomieszczeniu	NIE
				elektroniczna regulacja temperatury w pomieszczeniu oraz programator dzienny	NIE
				elektroniczna regulacja temperatury w pomieszczeniu oraz programator tygodniowy	NIE
Inne opcje sterowania (można wybrać kilka)					
				regulacja temperatury w pomieszczeniu z funkcją wykrywania obecności	NIE
				regulacja temperatury w pomieszczeniu z funkcją wykrywania otwartego okna	NIE
				z opcją zdalnego sterowania	NIE
				z adaptacyjną kontrolą startu	NIE
				z ograniczeniem czasu pracy	NIE
				z czujnikiem przepalenia żarówki	NIE
Dane kontaktowe	Producent: CladSwiss AG, Bahnhofstrasse 27, 6300 Zug, Szwajcaria. E-mail: info@cladswiss.com				

Wymagana informacja dotycząca miejscowych elektrycznych ogrzewaczy pomieszczeń					
Identyfikator(y) modelu: Sport Line EOH/LT-11W EEC					
Nazwa	Symbol	Wartość	Unit	Nazwa	Jednostka
Moc cieplna			Typ dopływu ciepła tylko dla lokalnych grzejników (wybrać jeden)		
Nominalna moc cieplna	P_{nom}	2.2	kW	ręczne sterowanie dopływem ciepła, ze zintegrowanym termostatem	TAK
Minimalna moc cieplna (orientacyjna)	P_{min}	1	kW	ręczne sterowanie dopływem ciepła ze sprzężeniem zwrotnym temperatury w pomieszczeniu i/lub na zewnątrz	NIE
Maksymalna ciągła moc cieplna	$P_{max,c}$	2.2	kW	elektroniczna regulacja dopływu ciepła ze sprzężeniem zwrotnym temperatury w pomieszczeniu i/lub na zewnątrz	NIE
Dodatkowe zużycie energii elektrycznej			moc cieplna wspomagana przez wentylator		NIE
Przy nominalnej mocy cieplnej	$e_{l,max}$	N/A	kW	Typ mocy cieplnej/temperatury w pomieszczeniu (wybrać jeden)	
Przy minimalnej mocy cieplnej	$e_{l,min}$	N/A	kW	jednostopniowa moc cieplna bez regulacji temperatury w pomieszczeniu	NIE
W trybie czuwania	$e_{l,SB}$	N/A	kW	dwa lub więcej stopni regulacji ręcznej, bez regulacji temperatury w pomieszczeniu	NIE
				z mechaniczną regulacją temperatury w pomieszczeniu za pomocą termostatu	TAK
				z elektroniczną regulacją temperatury w pomieszczeniu	NIE
				elektroniczna regulacja temperatury w pomieszczeniu oraz programator dzienny	NIE
				elektroniczna regulacja temperatury w pomieszczeniu oraz programator tygodniowy	NIE
Inne opcje sterowania (można wybrać kilka)					
				regulacja temperatury w pomieszczeniu z funkcją wykrywania obecności	NIE
				regulacja temperatury w pomieszczeniu z funkcją wykrywania otwartego okna	NIE
				z opcją zdalnego sterowania	NIE
				z adaptacyjną kontrolą startu	NIE
				z ograniczeniem czasu pracy	NIE
				z czujnikiem przepalenia żarówki	NIE
Dane kontaktowe	Producent: CladSwiss AG, Bahnhofstrasse 27, 6300 Zug, Szwajcaria. E-mail: info@cladswiss.com				

CONȚINUT

1. INTRODUCERE.....	35
2. REGULI DE SIGURANȚĂ	35
3. REGULI DE INSTALARE.....	36
4. PREZENTARE GENERALĂ A DISPOZITIVULUI.....	36
5. PANOUL DE CONTROL A DISPOZITIVULUI.....	36
6. PREGĂTIREA PENTRU FUNCȚIONARE.....	36
7. SPECIFICAȚII.....	37
8. GHID DE ÎNȚIERE RAPIDĂ CU DISPOZITIV.....	37
9. ÎNGRIJIRE ȘI TEHNICĂ SERVICIU	37
10. DEPANARE	38
11. ECHIPAMENT	38
12. PĂSTRAREA APARATULUI	38
13. RECICLAREA.....	38
14. OBLIGAȚII DE GARANȚIE.....	38
15. DATA DE FABRICAȚIE	38

NE GÂNDIM LA DVS

Vă mulțumim pentru că ați achiziționat dispozitivul Electrolux. Ați ales produsul bazat pe zeci de ani de experiență profesională și de inovații Unice și elegante, produsul a fost proiectat cu grijă pentru dvs. De aceea, oricând nu veți utiliza produsul, puteți fi siguri, că rezultatele vor fi întotdeauna excelente.

Bine ați venit la Electrolux!

Pe site-ul nostru puteți găsi:



Puteți găsi recomandări privind utilizarea produselor, instrucțiuni de exploatare, informații privind asistența tehnică la adresa: <http://www.home-comfort.com/support/>



Achiziționați produsul în orașul dvs:
<http://www.home-comfort.com/search/find-a-store/>



La vânzarea echipamentului vânzătorul trebuie să completeze capitolul "Detaliile produsului", care se găsește pe partea interioară a copertii posterioare a prezentelor instrucțiuni de utilizare.



Marcările folosite



Atenție/Informații importante de tehnică a securității



Informații generale și recomandări

Întreținerea de garanție se efectuează în conformitate cu condițiile prezentate în secțiunea „Obligații de garanție”.

Remarcă:

În textul acestui manual, încălzitorul electric cu ulei poate avea astfel de denumiri tehnice precum: dispozitiv, echipament și aparat etc.

Acest dispozitiv este potrivit numai pentru încăperi bine izolate sau pentru utilizare ocazională.

Introducere

Vă rugăm să citiți cu atenție și să executați cu severitate cerințele, care sunt conținute în prezentele instrucțiuni de exploatare. Păstrați manualul și documentele, care confirmă data achiziționării aparatului într-un loc sigur, pentru ca, în viitor să le puteți găsi cu ușurință și să le puteți folosi.

Aparatul este destinat pentru încălzirea aerului în încăperile casnice.

Reguli de siguranță



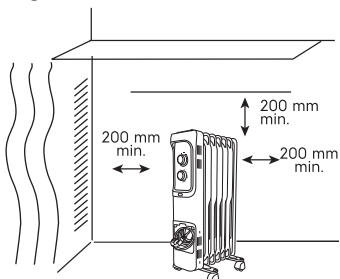
Atenție!

Nerespectarea cerințelor pot duce la vătămări grave sau daune grave ale echipamentului.

Când utilizați dispozitivul, respectați regulile generale de siguranță în timpul utilizării dispozitivului electric. Nerespectarea regulilor de siguranță și instrucțiunii poate duce la șoc electric, incendiu și/sau vătămări grave. Înainte de a utiliza aparatul, citiți cu atenție următoarele reguli de siguranță:

- Citiți manualul înainte de a utiliza încălzitorul și păstrați-l la îndemână.
- Folosiți încălzitorul numai la tensiunea indicată pe eticheta aparatului.
- Nu blocați și nu restricționați conductele de intrare și de ieșire a aerului pentru a evita supraîncălzirea și aprinderea.
- Nu așezați încălzitorul în imediata apropiere de nicio suprafață, deoarece acest lucru poate duce la suprapunerea conductelor de intrare și de ieșire a aerului.
- Nu așezați încălzitorul lângă aparate de încălzit.
- Nu folosiți încălzitorul în zonele în care se utilizează sau depozitează combustibil, vopsea sau alte lichide inflamabile.
- Acest dispozitiv se înfierbântă în timpul utilizării. Pentru a evita arsurile, nu atingeți suprafața fierbinte. Opriți aparatul și lăsați-l să se răcească înainte de al muta în altă locație.
- Nu folosiți încălzitorul pentru a usca hainele.
- Nu scufundați dispozitivul în lichid, aveți grijă să nu introduceți lichid în interiorul dispozitivului, acest lucru poate duce la șocuri electrice.
- Nu atingeți dispozitivul dacă a căzut în apă.
- Scoateți ștecherul din priză imediat.
- Nu folosiți un încălzitor sfărâmat cu un cablu de alimentare cu uzură și/sau deteriorat.
- Cablul de rețea trebuie poziționat astfel, încât să nu fie călcat, șters, rupt, supus altor daune.
- Nu atingeți încălzitorul cu mâinile ude.
- Nu folosiți detergenți abrazivi atunci când curățați aparatul. Curățați-l cu o cârpă umedă (nu umedă) și apă fierbinte. Deconectați întotdeauna aparatul înainte de curățare.
- Nu conectați instrumentul la sursa de alimentare până la instalarea și reglarea completă.
- Nu folosiți acest aparat lângă baie, duș sau orice recipient cu apă. Este interzisă operarea dispozitivului dacă sunteți în contact cu lichide.
- Instrumentul trebuie utilizat în poziție verticală.
- Înainte de a muta dispozitivul deconectați-l de la priză și lăsați-l să se răcească.
- Nu folosiți aparatul cu un cablu de alimentare răsucit, deoarece acest lucru poate duce la supraîncălzire și/sau accidente.
- Nu se recomandă să folosiți un cablu prelungitor.
- Nu scoateți ștecherul din priză înainte de a opri aparatul.
- La scoaterea ștecherului din priză, nu trageți de cablu - apucați de ștecăr.
- Deconectați dispozitivul atunci când nu îl utilizați.
- Acest aparat nu este potrivit pentru utilizare pe covoare cu puf lung și covoare Flotați.
- În timpul funcționării, asigurați-vă că cablul nu atinge suprafața încălzită.
- Nu ascundeți cablul sub mocheta, covoare etc. Poziționați firul astfel încât să nu vă împiedicați de el.
- Nu răsuciți, nu îndoiți și nu suciți cablul în jurul încălzitorului, deoarece acest lucru poate provoca abraziune și uzură la izolație. Asigurați-vă că cablul este scos la întreaga lungime.
- Nu folosiți aparatul la aer liber și nu-l puneți pe o podea umedă.
- Nu puneți aparatul în depozit cât este încă fierbinte.
- Nu lăsați copiii să se joace cu dispozitivul.
- Aparatul nu trebuie amplasat direct lângă/sub o priză.
- Pentru a preveni supraîncălzirea, nu acoperiți încălzitorul.
- Cablul de alimentare deteriorat trebuie înlocuit de vânzător pentru a evita accidentele.
- Pentru a evita resetarea siguranței termice, acest aparat nu trebuie utilizat împreună cu dispozitive auxiliare de deconectare. De asemenea, aparatul nu trebuie conectat la un circuit care este scurtcircuitat și deschis.
- Folosiți acest aparat numai în scopul prevăzut și în conformitate cu acest manual. Orice altă utilizare nu este recomandată de producător și poate duce la incendiu, șoc electric sau accident.
- Acest aparat este destinat numai pentru uz casnic, nu este recomandat pentru uz industrial.

Reguli de instalare



Prezentare generală a dispozitivului

Prezentare generală

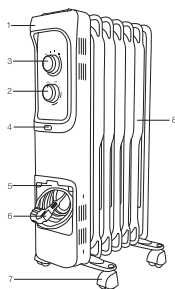


Fig. 1

1. Mâner de transport
2. Termostat cu control
3. Pornirea/oprirea dispozitivului, selectarea puterii de operare
4. Indicator de funcționare a dispozitivului
5. Secțiune pentru depozitarea cablului de alimentare
6. Cablul de alimentare
7. Picioare cu role
8. Panoul dispozitivului

Panoul de control a dispozitivului

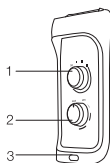


Fig. 2

1. Butoanele de selectare a modului de operare:
OFF - oprirea dispozitivului
I – Pornirea încălzitorului, selectarea puterii (EOH/LT-07W EEC – 600 W; EOH/LT-09W EEC – 800 W; EOH/LT-11W EEC – 1000 W)
II – Oprirea încălzitorului, selectarea puterii (EOH/LT-07W EEC – 900 W; EOH/LT-09W EEC – 1200 W; EOH/LT-11W EEC – 1500 W)
III – selectarea puterii (EOH/LT-07W EEC – 1500 W; EOH/LT-09W EEC – 2000 W; EOH/LT-11W EEC – 2200 W)
2. Termostat cu control
3. Indicator de funcționare a dispozitivului

Prepararea pentru funcționare

- Scoateți dispozitivul din ambalaj.
- Asigurați-vă că instrumentul este oprit.
- Fixați dispozitivul într-o poziție stabilă conform instrucțiunilor de montaj și instalare. Lăsați dispozitivul deconectat în poziție verticală timp de 30 de minute înainte de al porni.
- Nu se recomandă să utilizați aceeași priză electrică pentru a conecta simultan acest încălzitor și alte echipamente electrice de mare putere pentru a evita supraîncărcarea rețelei electrice.

Specificații

Parametru /Model	EOH/LT-07W EEC	EOH/LT-09W EEC	EOH/LT-11W EEC
Numărul de secțiuni	7	9	11
Puterea de încălzire, W	1500/900/600	2000/1200/800	2200/1200/1000
Alimentare electrică, W-Hz	220-240~50-60	220-240~50-60	220-240~50-60
Puterea curentă, A	6.8	9.1	10
Clasa de protecție electrică	I	I	I
Clasa de protecție împotriva prafului și a umidității, IP	IP20	IP20	IP20
Aria de încălzire, m ² *	până la 20	până la 25	până la 27
Dimensiunile dispozitivului (L×În×Dm), mm	250×650×360	250×650×440	250×650×520
Mărimea pachetului (L×În×Dm), mm	415×705×140	495×705×140	575×705×140
Greutate netă, kg	8.3	10.1	11.9
Greutate brută, kg	9.2	11.2	13.1

* Valorile sunt orientative și pot varia în funcție de condițiile reale. Producătorul își rezervă dreptul de a face modificări

Ghid de inițiere rapidă cu dispozitiv

Instalarea dispozitivului

Dispozitivul este instalat pe picioare pentru mișcare liberă.

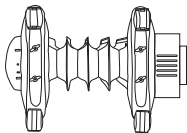


Fig. 3

Setul de picioare se montează în așa mod:

- Întoarceți încălzitorul cu susul în jos (fig. 3);
- Treceți bara picioarelor de sprijin prin dispozitivul de fixare;
- Fixați celălalt capăt al barei cu o piuliță.

Pornirea/selectarea puterii de funcționare a încălzitorului

- Pentru a porni dispozitivul, rotiți butonul inferior al panoului de control spre dreapta, selectați puterea dorită a dispozitivului.

Setarea temperaturii

- Pentru a seta temperatura necesară de încălzire și pentru a menține temperatura camerei constantă, porniți dispozitivul la putere maximă, deplasând butonul termostatului în poziția „max”. Când temperatura camerei va atinge nivelul confortabil pentru Dvs., începeți să rotiți

încet butonul termostatului spre stânga până când auziți un clic. Astfel, dispozitivul va salva temperatura confortabilă pentru Dvs. și o va menține pornind și oprind automat.

Închidere

- Pentru a opri încălzitorul, rotiți butonul de selectare a puterii în poziția „OFF”. Dispozitivul se va opri.

Funcție de protecție la supraîncălzire

- Încălzitorul se oprește automat în caz de supraîncălzire.

Funcția de protecție în caz de răsturnare

- Dispozitivul este echipat cu un comutator automat care se activează dacă dispozitivul se abate de la poziția de operare. Încălzitorul se oprește automat.

Îngrijire și tehnică serviciu

Încălzitorul cu ulei nu necesită nici-o întreținere specială.

Înainte de a repara (îngrijii), încălzitorul trebuie deconectat de la sursa de alimentare. Corpul dispozitivului trebuie șters periodic cu o cârpă moale sau cu un burete umed. Nu folosiți niciodată detergenți abrazivi, spumante sau solvenți.

Depanare

Semnele defecțiunii	Cauza defecțiunii	Acțiunile pentru eliminarea defecțiunii
Nu-i încălzire	1) Conexiune nesigură a cablului de alimentare. 1) Încălzitorul este oprit. 3) Temperatura reală a camerei este mai mare decât setarea termostatului.	1) Stabiliți o conexiune fiabilă. 2) Setați convectoul în modul de operare. 3) Setați modul de temperatură al încălzitorului.

Echipament

- Încălzitor electric cu ulei
- Elemente de fixare
- Picioare cu role
- Ghid de exploatare

Păstrarea aparatului

Înainte de a pune încălzitorul electric cu ulei spre păstrare, convingeți-vă, că el s-a răcit.

Se recomandă curățarea încălzitorului electric cu ulei și punerea spre păstrare (de preferință în ambalajul producătorului) într-un loc răcoros și uscat în cazul în care nu intenționați să folosiți aparatul o perioadă mai îndelungată de timp.

Reciclarea



Dispozitivul a cărui perioadă de utilizare a expirat nu poate fi reciclat împreună cu deșeurile casnice (2012/19/EU).

Obligații de garanție

Întreținerea de garanție se efectuează în conformitate cu condițiile prezentate în secțiunea „Obligații de garanție”.

Garanția:

- Perioada de garanție pentru produs este de doi ani de la data achiziției. Dacă în decursul acestei perioade de garanție de doi ani vor apărea anumite defecțiuni cauzate de lipsurile materialelor și/sau fabricației, produsul va fi reparat sau înlocuit.
- Reparațiile gratuite sau înlocuirea gratuită sunt posibile numai dacă sunt furnizate dovezi convingătoare, de exemplu, o chitanță care confirmă că ziua în care se solicită întreținerea

tehnică, se află în decursul perioadei de garanție.

- Garanția nu acoperă produsele și/sau părțile produsului care sunt supuse uzurii, care pot fi considerate consumabile conform naturii lor sau care sunt fabricate din sticlă.
- Garanția nu este valabilă dacă defectul este cauzat de o deteriorare cauzată de o utilizare necorespunzătoare, de o întreținere deficitară (de exemplu, defecțiunea a apărut din cauza intrării unor obiecte străine sau contactului cu lichide) sau dacă au s-au efectuat modificări sau reparații de către persoane neautorizate de Producător.
- Pentru utilizarea corectă a produsului, utilizatorul trebuie să respecte cu strictețe toate instrucțiunile incluse în manualul de utilizare și trebuie să se abțină de la orice acțiune sau manipulare care este descrisă ca nedorită sau care este indicată în manualul de utilizare.
- Aceste limitări de garanție nu afectează drepturile dumneavoastră legale.

Asistența:

Asistența în perioada de garanție și după expirarea ei poate fi primită în toate țările, unde produsul este distribuit oficial. Adresați-vă vânzătorului pentru asistență.

Data de fabricație

Data de fabricație este indicată pe autocolantul de pe corpul produsului și este, de asemenea, criptată în Codul 128.

Data de fabricație se stabilește după cum urmează:

SN XXXXXXX XXXX XXXXXX XXXXX

luna și anul de fabricație

Nu îndepărtați și urmăriți integritatea numărului de serie pe aparat. Pierderea sau deteriorarea etichetei cu numărul seriei nu va permite în caz de nevoie, reinnoirea datei fabricației.

Importator

Producător: CladSwiss AG,
Bahnhofstrasse 27, 6300 Zug, Elveția.
E-mail: info@cladswiss.com

Fabricat în China.

Electrolux este o marcă înregistrată folosită sub
licența AB Electrolux (publ.).

Producătorul își rezervă dreptul să modifice
construcția și caracteristicile dispozitivului.

Textul și desemnările digitale/numerice din
manualul de instrucțiuni pot conține erori tehnice și
eroi de tipărire. Modificările specificațiilor tehnice
și a asortimentului se pot realiza fără o notificare
prealabilă.

Sunt admise erori și greșeli de scriere în texte și
desemnări numerice.
Design-ul și datele tehnice ale dispozitivului pot
diferi de cele prezentate pe ambalaj.
Vă rugăm să contactați consultantul de vânzări
pentru a primi informații detaliate.

Cerintele informationale față de încălzitoarele electrice cu ulei					
Identificatorul(ii) modelului: EOH/LT-07W EEC					
Necesar	Simbolul	Valoarea	U.M.	Necesar	U.M.
Puterea termică			Tipul administrării căldurii, numai pentru aerotermele cu acumulator electric (select one)		
Nominal heat output	P_{nom}	1.5	kW	reglarea manuală a sarcinii termice, cu termostatul încorporat	DA
Minimum heat output (indicative)	P_{min}	0.6	kW	reglarea manuală a sarcinii termice, cu feedback-ul temperaturii în încăpere și/sau în exterior	NU
Maximum continuous heat output	$P_{max,c}$	1.5	kW	comanda electronică a sarcinii termice în încăpere și/sau în exterior	NU
Consumul suplimentar de energie electrică			puterea termică cu ajutorul ventilatorului		
La puterea termică nominală	$e_{l_{max}}$	H/H	kW	Tipul cedării de căldură/controlului temperaturii camerei (selectati unul)	
La puterea termică minimă	$e_{l_{min}}$	H/H	kW	cedarea căldurii într-o treaptă și absenta controlului temperaturii camerei	NU
În regim de așteptare	$e_{l_{sb}}$	H/H	kW	Încă două stări manuale fără controlarea temperaturii camerei	NU
				cu termostat mecanic pentru controlarea temperaturii camerei	DA
				cu control electronic a temperaturii în încăpere	NU
				control electronic a temperaturii în încăpere plus temporizator zilnic	NU
				control electronic a temperaturii în încăpere plus temporizator săptămânal	NU
Alte variante de comandă (sunt posibile câteva variante)					
				controlul temperaturii în încăpere; cu detectarea prezenței	NU
				controlul temperaturii în încăpere; cu fereastra deschisă	NU
				cu opțiunea comenzii de la distanță	NU
				cu control adaptiv a pornirii	NU
				cu limitarea timpului de lucru	NU
				cu sensorul beculutului	NU
Informații de contact:	Producător: CladSwiss AG, Bahnhofstrasse 27, 6300 Zug, Elveția. E-mail: info@cladswiss.com				

Cerintele informativale față de încălzitoarele electrice cu ulei					
Identificatorul(ii) modelului: EOH/LT-09W EEC					
Necesar	Simbolul	Valoarea	U.M.	Necesar	U.M.
Puterea termică			Tipul administrării căldurii, numai pentru aerotermele cu acumulator electric (select one)		
Nominal heat output	P_{nom}	2.0	kW	reglarea manuală a sarcinii termice, cu termostatul încorporat	DA
Minimum heat output (indicative)	P_{min}	0.8	kW	reglarea manuală a sarcinii termice, cu feedback-ul temperaturii în încăpere și/sau în exterior	NU
Maximum continuous heat output	$P_{max,c}$	2.0	kW	comanda electronică a sarcinii termice în încăpere și/sau în exterior	NU
Consumul suplimentar de energie electrică			puterea termică cu ajutorul ventilatorului		
La puterea termică nominală	$e_{l_{max}}$	H/H	kW	Tipul cedării de căldură/controlului temperaturii camerei (selectati unul)	
La puterea termică minimă	$e_{l_{min}}$	H/H	kW	cedarea căldurii într-o treaptă și absenta controlului temperaturii camerei	NU
În regim de așteptare	$e_{l_{sb}}$	H/H	kW	Încă două stări manuale fără controlarea temperaturii camerei	NU
				cu termostat mecanic pentru controlarea temperaturii camerei	DA
				cu control electronic a temperaturii în încăpere	NU
				control electronic a temperaturii în încăpere plus temporizator zilnic	NU
				control electronic a temperaturii în încăpere plus temporizator săptămânal	NU
				Alte variante de comandă (sunt posibile câteva variante)	
				controlul temperaturii în încăpere; cu detectarea prezenței	NU
				controlul temperaturii în încăpere; cu fereastra deschisă	NU
				cu opțiunea comenzii de la distanță	NU
				cu control adaptiv a pornirii	NU
				cu limitarea timpului de lucru	NU
				cu sensorul becuțelului	NU
Informatii de contact:	Producător: CladSwiss AG, Bahnhofstrasse 27, 6300 Zug, Elveția. E-mail: info@cladswiss.com				

Cerintele informativale față de încălzitoarele electrice cu ulei					
Identificatorul(ii) modelului: EOH/LT-IIW EEC					
Necesar	Simbolul	Valoarea	U.M.	Necesar	U.M.
Puterea termică			Tipul administrării căldurii, numai pentru aerotermele cu acumulator electric (select one)		
Nominal heat output	P_{nom}	2.2	kW	reglarea manuală a sarcinii termice, cu termostatul încorporat	DA
Minimum heat output (indicative)	P_{min}	1	kW	reglarea manuală a sarcinii termice, cu feedback-ul temperaturii în încăpere și/sau în exterior	NU
Maximum continuous heat output	$P_{max,c}$	2.2	kW	comanda electronică a sarcinii termice în încăpere și/sau în exterior	NU
Consumul suplimentar de energie electrică			puterea termică cu ajutorul ventilatorului		
La puterea termică nominală	$e_{l_{max}}$	H/H	kW	Tipul cedării de căldură/controlului temperaturii camerei (selectati unul)	
La puterea termică minimă	$e_{l_{min}}$	H/H	kW	cedarea căldurii într-o treaptă și absenta controlului temperaturii camerei	NU
În regim de așteptare	$e_{l_{sb}}$	H/H	kW	Încă două stări manuale fără controlarea temperaturii camerei	NU
				cu termostat mecanic pentru controlarea temperaturii camerei	DA
				cu control electronic a temperaturii în încăpere	NU
				control electronic a temperaturii în încăpere plus temporizator zilnic	NU
				control electronic a temperaturii în încăpere plus temporizator săptămânal	NU
Alte variante de comandă (sunt posibile câteva variante)					
				controlul temperaturii în încăpere; cu detectarea prezenței	NU
				controlul temperaturii în încăpere; cu fereastra deschisă	NU
				cu opțiunea comenzii de la distanță	NU
				cu control adaptiv a pornirii	NU
				cu limitarea timpului de lucru	NU
				cu sensorul beculutului	NU
Informații de contact:	Producător: CladSwiss AG, Bahnhofstrasse 27, 6300 Zug, Elveția. E-mail: info@cladswiss.com				

СЪДЪРЖАНИЕ

1. ВЪВЕДЕНИЕ.....	45
2. ПРАВИЛА ЗА БЕЗОПАСНОСТ.....	45
3. ПРАВИЛА ЗА МОНТАЖ.....	46
4. ОБЩ ПРЕГЛЕД НА УРЕДА.....	46
5. ПАНЕЛ ЗА УПРАВЛЕНИЕ НА УРЕДА.....	46
6. ПОДГОТОВКА ЗА РАБОТА.....	46
7. КРАТКО РЪКОВОДСТВО ЗА РАБОТА С УРЕДА.....	46
8. ТЕХНИЧЕСКИ ХАРАКТЕРИСТИКИ.....	47
9. ГРИЖИ И ПОДДРЪЖКА.....	47
10. ТЪРСЕНЕ НА НЕИЗПРАВНОСТИ.....	48
11. КОМПЛЕКТАЦИЯ.....	48
12. СЪХРАНЕНИЕ НА УРЕДА.....	48
13. РЕЦИКЛИРАНЕ.....	48
14. ГАРАНЦИОННИ ЗАДЪЛЖЕНИЯ.....	48
15. ДАТА НА ПРОИЗВОДСТВО.....	48

НИЕ МИСЛИМ ЗА ВАС

Благодарим ви, че закупихте уред Electrolux. Избрахте продукт, който носи със себе си десетилетия професионален опит и нововъведения. Оригинален и стилен, той е създаден с мисъл за вас. Така че, когато и да го използвате, можете да сте сигурни, че ще получите невероятни резултати по всяко време. Добре дошли в Electrolux!

Посетете нашия уебсайт, за да:



Получите препоръки за използването на продукти, ръководства за експлоатация, информация за техническа поддръжка:
<http://www.home-comfort.com/support/>



Покупка на продукта във вашия град:
<http://www.home-comfort.com/search/find-a-store/>



При продажба на уреда, продавачът трябва да попълни раздела "Product details", разположен от вътрешната страна на задната корица на това ръководство за експлоатация.



Използвани символи



Внимание/Важна информация за безопасност



Обща информация и препоръки

Гаранционното обслужване се извършва в съответствие с условията, дадени в раздел «Гаранционни задължения».

Забележка:

В текста на това ръководство масленият нагревател може да има такива технически наименования като уред, устройство, апарат и т.н.

Този уред е подходящ само за добре изолирани помещения или случайна употреба.

Въведение

Моля, прочетете и стриктно спазвайте изискванията, съдържащи се в това ръководство за експлоатация. Съхранявайте ръководството и документите, потвърждаващи датата на закупуване на устройството на сигурно място, за да може то да бъде лесно открито и използвано в бъдеще.

Устройството е предназначено за загряване на въздух в битови помещения.

Правила за безопасност



Внимание!

Изисквания, неспазване на които може да доведе до сериозни наранявания или сериозни повреди на оборудването.

При използване на уреда, спазвайте общите правила за безопасност при използване на електрически уреди. Неспазването на указанията за безопасност и инструкциите може да доведе до токов удар, пожар и/или сериозни наранявания.

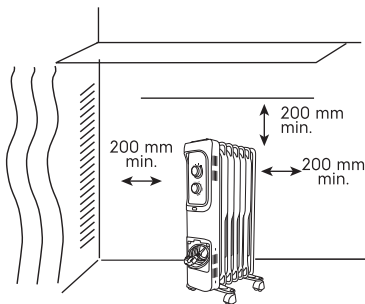
Преди да използвате уреда, моля, прочетете внимателно следните правила за безопасност:

- Преди да използвате нагревателя, прочетете ръководството и го дръжте на достъпно място.
- Използвайте нагревателя само при напрежение, посочено на етикета на уреда.
- Не блокирайте и не ограничавайте въздушния поток през входни и изходни решетки, за да избегнете прегряване и пожар.
- Не поставяйте нагревателя в непосредствена близост до каквато и да е повърхност, тъй като това може да доведе до припокриване на решетки и възпрепятстване на всмукването и изпускането на въздух.
- Не поставяйте нагревателя близо до отоплителни уреди.
- Не използвайте нагревателя в места, където се използват или съхраняват гориво, боя или други запалими течности.
- Този уред става горещ по време на експлоатация. За да избегнете изгаряния, не докосвайте горещата повърхност. Изключете уреда и го оставете да се охлади, преди да го преместите на друго място.
- Не използвайте нагревател за сушене на дрехи.
- Не потапяйте уреда в течност, внимавайте да не позволявате навлизането на течността вътре в уреда, защото това може да причини токов удар.
- Не изваждайте уреда, ако го изпуснете във вода. Изключете незабавно щепсела.
- Не използвайте нагревател с повреди и/или повреден или счупен захранващ кабел.
- Захранващият кабел трябва да бъде поставен така, че да не стъпват върху него, за да не бъде износван, разкъсан, закопчан или повреден по друг начин.
- Не докосвайте работещ нагревател с мокри ръце.
- Когато почиствате уреда, не използвайте абразивни почистващи препарати. Почистете го с влажна кърпа (не мокра) и гореща вода. Винаги изключвайте уреда от мрежата преди почистване.
- Не свързвайте уреда към източник на захранване до завършване на монтажа и настройката.
- Не използвайте уреда в непосредствена близост до баня, душ или друг съд с течност.
- Уредът трябва да се използва в изправено положение.
- Изключете уреда и го оставете да се охлади преди да го преместите.
- Не използвайте уреда с усукан захранващ кабел, тъй като това може да причини прегряване и/или злополуки.
- Не се препоръчва използването на удължителен кабел.
- Не изваждайте щепсела от контакта преди да изключите уреда.
- Когато изваждате щепсела от контакта, не дърпайте кабела - хванете самия щепсел.
- Когато уредът не се използва, изключете го от мрежата.
- Този уред не е подходящ за използване върху килими с дълги купчини и килими Флокати.
- По време на работа се уверете, че проводникът не докосва загрялата повърхност.
- Не крийте кабела под килими, изтривалки, подложки и т.н. Поставете кабела така, че да не се препъвате.
- Не усуквайте, не огъвайте и не навивайте кабела около нагревателя, тъй като това може да причини изтъкване и износване на изолацията. Уверете се, че кабелът е издърпан до цялата си дължина.
- Не използвайте уреда на открито и не го оставайте върху влажен под.
- Не поставяйте уреда на място за неговото съхранение, докато той е още горещ.
- Не позволявайте на децата да играят с уреда.
- Уредът не трябва да се поставя непосредствено до /под контакт.
- За да предотвратите прегряване, не покривайте нагревателя.
- Повреденият захранващ кабел трябва да бъде заменен с нов, за да се избегнат инциденти.
- За да избегнете нулирането на термичния

предпазител, този уред не трябва да се използва заедно с помощни изключващи устройства. Също така уредът не трябва да бъде свързан към мрежа, която често се къса и отваря.

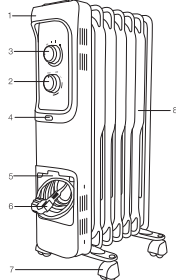
- Използвайте този уред само по предназначение в съответствие с това ръководство. Всяка друга употреба не се препоръчва от производителя и може да доведе до пожар, токов удар или злополука.
- Този уред е само за домашна употреба, не се препоръчва за промишлена употреба.

Правила за монтаж



Общ преглед на уреда

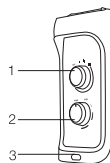
Общ изглед



Фиг. 1

1. Дръжка за носене
2. Контролен термостат
3. Включване/изключване на уреда, избор на работна мощност
4. Индикатор за работата на уреда
5. Отделение за съхранение на захранващия кабел
6. Захранващ кабел
7. Крака с колела
8. Тяло на уреда

Панел за управление на уреда



Фиг. 2

1. Клавиши за избор на режим на работа:
 OFF - изключване на уреда
 I - включване на нагревателя, избор на мощност (ЕОН/LT-07W EEC - 600 Вт; ЕОН/LT-09W EEC - 800 Вт; ЕОН/LT-11W EEC - 1000 Вт)
 II - включване на нагревателя, избор на мощност (ЕОН/LT-07W EEC - 900 Вт; ЕОН/LT-09W EEC - 1200 Вт; ЕОН/LT-11W EEC - 1500 Вт)
 III - избор на мощност (ЕОН/LT-07W EEC - 1500 Вт; ЕОН/LT-09W EEC - 2000 Вт; ЕОН/LT-11W EEC - 2200 Вт)
2. Контролен термостат
3. Индикатор за работата на уреда

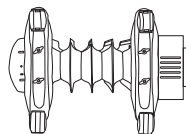
Подготовка за работа

- Извадете уреда извън опаковката.
- Уверете се, че уредът е изключен.
- Фиксирайте уреда в стабилно положение в съответствие с инструкциите за монтаж и инсталиране. Оставете изключения уред в изправено положение за 30 минути, преди да го включите.
- Не се препоръчва да използвате същия електрически контакт за едновременно свързване на този нагревател и друго електрическо оборудване с висока мощност, за да избегнете претоварване на вашата електрическа мрежа.

Кратко ръководство за работа с уреда

Монтаж на уреда

Уредът се поставя на крака за свободно движение.



Фиг. 3

Технически характеристики

Параметър/Модел	ЕОН/LT-07W EEC	ЕОН/LT-09W EEC	ЕОН/LT-11W EEC
Брой секции	7	9	11
Отоплителна мощност, Вт	1500/900/600	2000/1200/800	2200/1200/1000
Захранване, V ~ Hz	220-240-50-60	220-240-50-60	220-240-50-60
Сила на тока, А	6.8	9.1	10
Клас на електрическа защита	I	I	I
Клас на защита от прах и вла-га, IP	IP20	IP20	IP20
Отопляема площ, м ² *	до 20	до 25	до 27
Размери на уреда (Ш×В×Д), мм	250×650×360	250×650×440	250×650×520
Размери на опаковката (Ш×В×Д), мм	415×705×140	495×705×140	575×705×140
Нетно тегло, кг	8.3	10.1	11.9
Брутно тегло, кг	9.2	11.2	13.1

*Посочената стойност е ориентировъчна и може да се различава в зависимост от реалните работни условия. Производителят си запазва правото на изменения.

Закрепване на комплект крака се извършва както следва:

- Обърнете нагревателя с долната част нагоре (фиг. 3);
- Прокарайте планка на опорната крака през фиксатора;
- Закрепете другия край на планката с гайка.

Включване/избор на работна мощност на нагревателя

- За да включите устройството, завъртете долният бутон на панела за управление надясно, изберете желаната мощност на устройството.

Настройка на температурата

- За да зададете необходимата температура на отопление и да поддържате постоянна стайна температура, включете устройството с пълна мощност, като преместите копчето за управление на термостата в положение „max“. Когато стайната температура достигне удобно за вас ниво, завъртете бавно копчето на термостата наляво, докато чуete щракване. По този начин устройството ще запомни температурата, която е удобна за вас, и ще я поддържа, като автоматично се включва и изключва.

Изключване

- За да изключите нагревателя, завъртете копчето за избор на мощност в положение «OFF». Устройството се изключва.

Функция за защита от прегряване

- Нагревателят се изключва автоматично в случай на прегряване.

Функция за защита от преобръщане

- Уредът е оборудван с прекъсвач, който се активира, ако устройството се отклони от работното положение. Нагревателят се изключва автоматично.

Грижи и поддръжка

Масленият нагревател не изисква специална поддръжка. Преди обслужване (грижи) нагревателят трябва да бъде изключен от електрическата мрежа. Тялото на уреда трябва да се почиства от време на време с мека кърпа или влажна гъба. Никога не използвайте абразивни, разпенващи почистващи препарати или разтворители.

Търсене на неизправности

Признак на неизправност	Причина на неизправност	Действия за отстраняване на неизправност
Няма нагряване	1) Ненадеждна връзка на захранващата кабел. 2) Нагревателят е изключен. 3) Фактичестката температура в помещението е по-висока от настройката на термостата.	1) Установите надеждно съединение. 2) Преведете обогреватель в работен режим. 3) Настройте температурен режим работы обогревателя.

Комплектация

- Нагревател с масло
- Крепежни елементи
- Комплект крака с колела
- Ръководство

Съхранение на уреда

Уверете се, че нагревателят е изстинал, преди да го поставите на място за съхранение. Препоръчва се да почистите нагревателя и да го поставите на място за съхранение (за предпочитане в оригиналната му опаковка) на хладно и сухо място, ако смятате да не използвате устройството дълго време.

Рециклиране



Използваният прибор не трябва да се извървя заедно с битовите отпадъци (2012/19/EU).

Гаранционни задължения

Гаранционното обслужване се извършва в съответствие с условията, дадени в раздел «Гаранционни задължения»

Забележка:

В текста на това ръководство, термовентилатор може да има такива технически имена като уред, устройство, апарат и други.

Гаранция:

- Продуктът е осигурен с гаранция за следващите две години от датата на покупката. Ако в рамките на този двегодишен гаранционен срок ще бъдат открити някакви дефекти, възникнали в резултат на недостатъци в материалите и /или изработката, продуктът ще бъде ремонтиран или заменен.
- Безплатният ремонт или замяна са възможни само при предоставяне на убедителни доказателства, например, с

помощта на квитанцията, потвърждаваща, че денят, в който е поискана поддръжката, е в рамките на гаранционния срок.

- Гаранцията не покрива продукти и/или детайли на продукта, които са предмет на износване, които могат да се третираат като консумативи по природата или които са направени от стъкло.
- Гаранцията не покрива дефектите, причинени от неправилна употреба, лоша поддръжка (например, отказът възникна поради проникване вътре в продукта на непознати предмети или течности) или ако промените или ремонтът са били извършени от лица, не упълномощени от Производителя.
- За правилното използване на изделието потребителят трябва стриктно да спазва всички инструкции, включени в ръководството за потребителя, и трябва да се въздържа от всякакви действия или манипулации, които са описани като нежелателни или посочени в ръководството за потребителя.
- Тези гаранционни ограничения не засягат вашите законови права.

Поддръжка:

Поддръжка по време и след гаранционния период може да бъде получена във всички страни, където продуктът се разпространява официално. Моля, свържете се с вашия дилър за помощ.

Дата на производство

Датата на производство е посочена на стикера върху тялото на уреда, както и е криптирана в Code-128.

Датата на производство се определя по следния начин:

SN XXXXXXXX XXXX XXXXXXX XXXXX

месец и година на производство

Не отстранявайте и запазвайте серийния номер на уреда. Ако стикерът със серийния

номер е изгубен или повреден, няма да е възможно да възстановите датата на производство, ако е необходимо.

Вносител:

Производител: CladSwiss AG,
Банхофщрасе 27, 6300 Цуг, Швейцария.
E-mail: info@cladswiss.com

Произведено в Китай.

Electrolux е регистрирана търговска марка, използвана по лиценз от АВ Electrolux (publ.).

Производителят си запазва правото да внася промени в конструкцията и характеристиките на уреда.

В текста и цифровите обозначения на ръководството могат да възникнат технически и типографски грешки.

Промените на техническите характеристики и асортимента могат да бъдат извършени без предварително уведомление.

Допускат се грешки и печатни грешки в текстове и цифри.

Дизайнът и техническите данни на устройството могат да се различават от тези, показани на опаковката.

Моля, свържете се с вашия търговски консултант за повече подробности.

Информационни изисквания за електрически локални нагреватели					
Идентификатор(и) на модела: EOH/LT-07W EEC					
Изисквано	Символ	Стойност	Ед. изм.	Изисквано	Ед. изм.
Термична мощност				Тип подаване на топлина, само за локални отоплителни уреди с електрическо съхранение (изберете един)	
Номинална топлинна мощност	P_{nom}	1.5	kW	ръчно регулиране на топлинния заряд, с вграден термостат	ДА
Минимална топлинна мощност (ориентировъчна)	P_{min}	0.6	kW	ръчно регулиране на термичния заряд с обратна връзка според температура на закрито и/или на открито	НЕ
Максимална непрекъснатата топлинна мощност	$P_{max,c}$	1.5	kW	електронно управление на заряда на топлината на закрито и/или на открито	НЕ
Спомагателна консумация на енергия				топлинна мощност с помощта на вентилатор	НЕ
При номинална топлинна мощност	$e_{l,max}$	Н/Н	kW	Тип топлоподаване/контрол на стайната температура (изберете един)	
При минимално топлоподаване	$e_{l,min}$	Н/Н	kW	едноетапно топлоподаване и без контрол на стайната температура	НЕ
В режим на готовност	$e_{l,SB}$	Н/Н	kW	Още две ръчни състояния без контрол на стайната температура	НЕ
				с механичен термостат за контрол на стайната температура	ДА
				с електронен контрол на температурата в помещението	НЕ
				електронен контрол на температурата в помещението плюс дневен таймер	НЕ
				електронен контрол на стайната температура плюс седмичен таймер	НЕ
Други опции за управление (възможни са няколко опции)					
				контрол на стайната температура с откриване на присъствие	НЕ
				контрол на температурата в помещението, с отворен прозорец	НЕ
				с опция за дистанционно управление	НЕ
				с адаптивен стартов контрол	НЕ
				с ограничено работно време	НЕ
				със сензор за крушка	НЕ
Контактна информация	Производител: CladSwiss AG, Банхофштрассе 27, 6300 Цург, Швейцария. E-mail: info@cladswiss.com				

Информационни изисквания за електрически локални нагреватели					
Идентификатор(и) на модела: EOH/LT-09W EEC					
Изисквано	Символ	Стойност	Ед. изм.	Изисквано	Ед. изм.
Термична мощност				Тип подаване на топлина, само за локални отоплителни уреди с електрическо съхранение (изберете един)	
Номинална топлинна мощност	P_{nom}	2.0	kW	ръчно регулиране на топлинния заряд с вграден термостат	ДА
Минимална топлинна мощност (ориентировъчна)	P_{min}	0.8	kW	ръчно регулиране на термичния заряд с обратна връзка според температура на закрито и/или на открито	НЕ
Максимална непрекъсната топлинна мощност	$P_{max,c}$	2.0	kW	електронно управление на заряда на топлината на закрито и/или на открито	НЕ
Спомагателна консумация на енергия				топлинна мощност с помощта на вентилатор	НЕ
При номинална топлинна мощност	eI_{max}	Н/Н	kW	Тип топлоподаване/контрол на стайната температура (изберете един)	
При минимално топлоподаване	eI_{min}	Н/Н	kW	едноетапно топлоподаване и без контрол на стайната температура	НЕ
В режим на готовност	eI_{sb}	Н/Н	kW	Още две ръчни състояния без контрол на стайната температура	НЕ
				с механичен термостат за контрол на стайната температура	ДА
				с електронен контрол на температурата в помещението	НЕ
				електронен контрол на температурата в помещението плюс дневен таймер	НЕ
				електронен контрол на стайната температура плюс седмичен таймер	НЕ
				Други опции за управление (възможни са няколко опции)	
				контрол на стайната температура с откриване на присъствие	НЕ
				контрол на температурата в помещението, с отворен прозорец	НЕ
				с опция за дистанционно управление	НЕ
				с адаптивен стартов контрол	НЕ
				с ограничено работно време	НЕ
				със сензор за крушка	НЕ
Контактна информация	Производител: CladSwiss AG, Банхофштрассе 27, 6300 Цуг, Швейцария. E-mail: info@cladswiss.com				

Информационни изисквания за електрически локални нагреватели					
Идентификатор(и) на модела: EOH/LT-IIW EEC					
Изисквано	Символ	Стойност	Ед. изм.	Изисквано	Ед. изм.
Термична мощност				Тип подаване на топлина, само за локални отоплителни уреди с електрическо съхранение (изберете един)	
Номинална топлинна мощност	P_{nom}	2.2	kW	ръчно регулиране на топлинния заряд, с вграден термостат	ДА
Минимална топлинна мощност (ориентировъчна)	P_{min}	1	kW	ръчно регулиране на термичния заряд с обратна връзка според температура на закрито и/или на открито	НЕ
Максимална непрекъснатата топлинна мощност	$P_{max,c}$	2.2	kW	електронно управление на заряда на топлината на закрито и/или на открито	НЕ
Спомагателна консумация на енергия				топлинна мощност с помощта на вентилатор	НЕ
При номинална топлинна мощност	$e_{l,max}$	Н/Н	kW	Тип топлоподаване/контрол на стайната температура (изберете един)	
При минимално топлоподаване	$e_{l,min}$	Н/Н	kW	едноетапно топлоподаване и без контрол на стайната температура	НЕ
В режим на готовност	$e_{l,SB}$	Н/Н	kW	Още две ръчни състояния без контрол на стайната температура	НЕ
				с механичен термостат за контрол на стайната температура	ДА
				с електронен контрол на температурата в помещението	НЕ
				електронен контрол на температурата в помещението плюс дневен таймер	НЕ
				електронен контрол на стайната температура плюс седмичен таймер	НЕ
				Други опции за управление (възможни са няколко опции)	
				контрол на стайната температура с откриване на присъствие	НЕ
				контрол на температурата в помещението, с отворен прозорец	НЕ
				с опция за дистанционно управление	НЕ
				с адаптивен стартов контрол	НЕ
				с ограничено работно време	НЕ
				със сензор за крушка	НЕ
Контактна информация	Производител: CladSwiss AG, Банхофштрассе 27, 6300 Цуг, Швейцария. E-mail: info@cladswiss.com				

ΠΕΡΙΕΧΟΜΕΝΟ

1. ΕΙΣΑΓΩΓΗ.....	55
2. ΚΑΝΟΝΕΣ ΑΣΦΑΛΕΙΑΣ.....	55
3. ΚΑΝΟΝΕΣ ΕΓΚΑΤΑΣΤΑΣΗΣ.....	56
4. ΕΠΙΣΚΟΠΗΣΗ ΣΥΣΚΕΥΗΣ.....	56
5. ΠΙΝΑΚΑΣ ΕΛΕΓΧΟΥ ΣΥΣΚΕΥΗΣ.....	56
6. ΠΡΟΕΤΟΙΜΑΣΙΑ ΓΙΑ ΛΕΙΤΟΥΡΓΙΑ.....	56
7. ΣΥΝΟΠΤΙΚΟ ΕΓΧΕΙΡΙΔΙΟ ΓΙΑ ΕΡΓΑΣΙΑ ΜΕ ΤΗ ΣΥΣΚΕΥΗ.....	56
8. ΤΕΧΝΙΚΑ ΧΑΡΑΚΤΗΡΙΣΤΙΚΑ.....	57
9. ΦΡΟΝΤΙΔΑ ΚΑΙ ΣΥΝΤΗΡΗΣΗ.....	57
10. ΑΝΤΙΜΕΤΩΠΙΣΗ ΠΡΟΒΛΗΜΑΤΩΝ.....	58
11. ΕΞΟΠΛΙΣΜΟΣ.....	58
12. ΑΠΟΘΗΚΕΥΣΗ ΤΗΣ ΣΥΣΚΕΥΗΣ.....	58
13. ΑΝΑΚΥΚΛΩΣΗ.....	58
14. ΥΠΟΧΡΕΩΣΕΙΣ ΕΓΓΥΗΣΗΣ.....	58
15. ΗΜΕΡΟΜΗΝΙΑ ΚΑΤΑΣΚΕΥΗΣ.....	58

ΣΑΣ ΣΚΕΦΤΟΜΑΣΤΕ

Σας ευχαριστούμε που αγοράσατε μια συσκευή Electrolux. Έχετε επιλέξει ένα προϊόν που υποστηρίζεται από δεκαετίες επαγγελματικής εμπειρίας και καινοτομίας. Μοναδικό και κομψό, δημιουργήθηκε με προσοχή για εσάς. Επομένως, όποτε το χρησιμοποιείτε, μπορείτε να είστε σίγουροι ότι τα αποτελέσματα θα είναι πάντα εξαιρετικά. Καλώς ορίσατε στην Electrolux!

Στην ιστοσελίδα μας, μπορείτε:



Να βρείτε συστάσεις για χρήση προϊόντων, εγχειρίδια οδηγιών, πληροφορίες συντήρησης: <http://www.home-comfort.com/support/>



Να αγοράσετε το προϊόν στην πόλη σας: <http://www.home-comfort.com/search/find-a-store/>



Κατά την πώληση ο πωλητής πρέπει να συμπληρώσει την ενότητα "Product details", που βρίσκεται στο εσωτερικό πίσω κάλυμμα αυτού του εγχειριδίου λειτουργίας.



Συμβολα χρήσης



Προσοχή/Σημαντικές πληροφορίες για την ασφάλεια



Γενικές πληροφορίες και συστάσεις

Η υπηρεσία εγγύησης εκτελείται σύμφωνα με τους όρους που καθορίζονται στην ενότητα "Εγγύηση"

Σημείωση:

Στο κείμενο αυτού του εγχειριδίου, ο θερμοαντήρας λαδιού μπορεί να έχει τεχνικά ονόματα όπως συσκευή, αξεσουάρ, κ.λπ.

Αυτό το προϊόν είναι κατάλληλο μόνο για καλά μονωμένους χώρους ή περιστασιακή χρήση.

Εισαγωγή

Παρακαλούμε διαβάστε και ακολουθείτε αυστηρά τις απαιτήσεις που περιέχονται σε αυτές τις οδηγίες λειτουργίας. Κρατήστε το εγχειρίδιο και έγγραφα που πιστοποιούν την ημερομηνία αγοράς της συσκευής σε ασφαλές μέρος, έτσι ώστε να μπορούν εύκολα να βρεθούν και να χρησιμοποιηθούν στο μέλλον.

Η συσκευή προορίζεται για θέρμανση αέρα σε οικιακούς χώρους.

Κανόνες ασφαλείας



Προειδοποίηση!

Η μη τήρηση των οδηγιών ασφαλείας μπορεί να οδηγήσει σε σοβαρό τραυματισμό ή σοβαρή ζημιά στον εξοπλισμό.

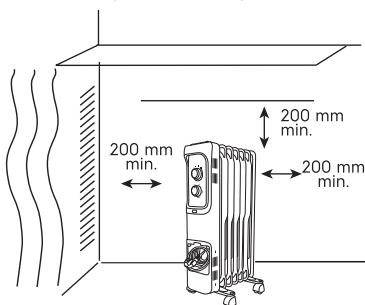
- Κατά τη χρήση της συσκευής, τηρείτε τους γενικούς κανόνες ασφαλείας κατά τη χρήση ηλεκτρικών συσκευών. Η μη τήρηση των οδηγιών ασφαλείας και των οδηγιών μπορεί να προκαλέσει ηλεκτροπληξία, πυρκαγιά ή/και σοβαρό τραυματισμό.
- Πριν χρησιμοποιήσετε τη συσκευή, διαβάστε προσεκτικά τις ακόλουθες προφυλάξεις ασφαλείας:
 - Πριν από τη λειτουργία του θερμαντήρα, διαβάστε το εγχειρίδιο και φυλάξτε το σε προσεγγιστικό μέρος.
 - Χρησιμοποιήστε τη θερμάστρα μόνο στην τάση που αναγράφεται στην ετικέτα της συσκευής.
 - Μην εμποδίζετε ή περιορίζετε τη ροή αέρα μέσω των γρίλιων εισόδου και εξόδου για να αποφύγετε την υπερθέρμανση και την ανάφλεξη.
 - Μην τοποθετείτε το θερμαντήρα σε κοντινή απόσταση από οποιαδήποτε επιφάνεια, καθώς αυτό μπορεί να προκαλέσει την επικάλυψη των γκριλ και την παρεμπόδιση της εισαγωγής και εξαγωγής του αέρα.
 - Μην τοποθετείτε τη θερμάστρα κοντά σε συσκευές θέρμανσης.
 - Μην χρησιμοποιείτε τη θερμάστρα σε περιοχές όπου χρησιμοποιούνται ή αποθηκεύονται καύσιμα, βαφές ή άλλα εύφλεκτα υγρά.
 - Αυτή η συσκευή ζεσταίνεται κατά τη χρήση. Για να αποφύγετε εγκαύματα, μην αγγίζετε την καυτή επιφάνεια. Απενεργοποιήστε τη συσκευή και αφήστε την να κρυώσει πριν τη μετακινήσετε σε άλλη τοποθεσία.
 - Μην χρησιμοποιείτε θερμαντήρα για να στεγνώσετε τα ρούχα.
 - Μην βυθίζετε τη συσκευή σε υγρό, βεβαιωθείτε ότι το υγρό δεν μπαίνει μέσα στη συσκευή, καθώς αυτό μπορεί να προκαλέσει ηλεκτροπληξία.
 - Μην αφαιρείτε τη συσκευή εάν πέσει στο νερό.

Αποσυνδέστε αμέσως.

- Μην χρησιμοποιείτε θερμαντήρα με ζημιά ή/και κατεστραμμένο ή φθαρμένο καλώδιο δικτύου.
- Το καλώδιο δικτύου πρέπει να είναι τοποθετημένο έτσι ώστε να μην έχει πατηθεί, να σβηστεί, να σκιστεί, να περιτυλιχθεί ή να υποστεί ζημιά.
- Μην αγγίζετε μια θερμάστρα εν λειτουργία με βρεγμένα χέρια.
- Μην χρησιμοποιείτε λειαντικά απορρυπαντικά όταν καθαρίζετε τη συσκευή. Καθαρίστε το με ένα υγρό πανί (όχι πολύ βρεγμένο) και ζεστό σαπουνόνερο.
- Πριν από τον καθαρισμό αποσυνδέστε τη συσκευή από την πρίζα.
- Μην συνδέετε τη συσκευή στην πηγή τροφοδοσίας έως ότου ολοκληρωθεί η συναρμολόγηση και η ρύθμιση.
- Μην χρησιμοποιείτε τη συσκευή κοντά σε μπανιέρα, ντους ή άλλο δοχείο υγρού.
- Η συσκευή πρέπει να χρησιμοποιείται σε όρθια θέση.
- Απενεργοποιήστε τη συσκευή και αφήστε την να κρυώσει πριν τη μετακινήσετε.
- Μην χρησιμοποιείτε τη συσκευή με στριμμένο καλώδιο τροφοδοσίας, καθώς αυτό μπορεί να προκαλέσει υπερθέρμανση ή/και ατυχήματα.
- Δεν συνιστάται η χρήση καλωδίου επέκτασης.
- Μην αφαιρείτε το βύσμα από την πρίζα μέχρι να απενεργοποιηθεί η συσκευή.
- Κατά την αφαίρεση του βύσματος από την πρίζα, μην τραβάτε το καλώδιο - κρατήστε το ίδιο το βύσμα.
- Εάν η συσκευή δεν χρησιμοποιείται, αποσυνδέστε την από το δίκτυο.
- Αυτή η συσκευή δεν είναι κατάλληλη για χρήση πάνω σε χαλιά βαθιάς στοίβας και χαλιά Φλοκάτη.
- Κατά τη λειτουργία, βεβαιωθείτε ότι το σύρμα δεν αγγίζει τη θερμαινόμενη επιφάνεια.
- Μην κρύβετε το καλώδιο κάτω από το χαλί, μην τοποθετείτε χαλάκια, χαλιά κ.λπ. πάνω από το καλώδιο. Τοποθετήστε το καλώδιο έτσι ώστε να μην σκοντάψετε πάνω του.
- Μην στρίβετε, λυγίζετε και μην στρίβετε το σύρμα γύρω από τη θερμάστρα, καθώς αυτό μπορεί να προκαλέσει τριβή και φθορά στη μόνωση. Βεβαιωθείτε ότι το σύρμα έχει τραβηχτεί σε όλο το μήκος του.
- Μην χρησιμοποιείτε τη συσκευή σε εξωτερικούς χώρους και μην την αφήνετε σε βρεγμένο πάτωμα.
- Μην τοποθετείτε τη συσκευή σε χώρο αποθήκευσης ενώ είναι ακόμα ζεστή.
- Μην αφήνετε τα παιδιά να παίζουν με τη συσκευή.
- Η συσκευή δεν πρέπει να τοποθετείται ακριβώς δίπλα/κάτω από μια πρίζα.
- Μην καλύπτετε τη θερμάστρα για να αποφύγετε την υπερθέρμανση.

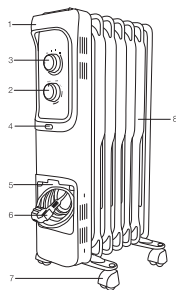
- Ένα κατεστραμμένο καλώδιο τροφοδοσίας πρέπει να αντικατασταθεί από τον έμπορο για την αποφυγή ατυχημάτων.
- Για να αποφευχθεί η πτώση της θερμικής ασφάλειας, αυτή η συσκευή δεν πρέπει να χρησιμοποιείται με πρόσθετες συσκευές. Επίσης, η συσκευή δεν πρέπει να συνδέεται σε κύκλωμα που κλείνει και ανοίγει συχνά.
- Χρησιμοποιήστε αυτήν τη συσκευή μόνο για τον προβλεπόμενο σκοπό και σύμφωνα με αυτό το εγχειρίδιο. Οποιαδήποτε άλλη χρήση δεν συνιστάται από τον κατασκευαστή και μπορεί να οδηγήσει σε πυρκαγιά, ηλεκτροπληξία ή ατύχημα.
- Αυτή η συσκευή προορίζεται μόνο για οικιακή χρήση, δεν συνιστάται για βιομηχανική χρήση.

Κανόνες εγκατάστασης



Επισκόπηση συσκευής

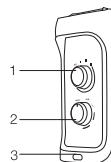
Γενική άποψη της συσκευής



Εικ. 1

1. Λαβή μεταφοράς
2. ρυθμιστικός θερμοστάτης
3. Ενεργοποιήστε/απενεργοποιήστε τη συσκευή, επιλογή την ισχύ λειτουργίας
4. Δείκτης λειτουργίας της συσκευής
5. Χώρος αποθήκευσης για το καλώδιο τροφοδοσίας
6. Καλώδιο τροφοδοσίας
7. Πόδια με τροχίσκους
8. Σώμα της συσκευής

Πίνακας ελέγχου συσκευής



Εικ. 2

1. Πλήκτρα επιλογής τρόπου λειτουργίας:
 OFF - απενεργοποιήστε τη συσκευή
 I - Ενεργοποίηση της συσκευής, επιλογή της ισχύς λειτουργίας
 (EOH/LT-07W EEC - 600 βάτ; EOH/LT-09W EEC - 800 Bt; EOH/LT-11W EEC - 1000 βάτ)
 II - Ενεργοποίηση της συσκευής, επιλογή της ισχύς λειτουργίας
 (EOH/LT-07W EEC - 900 βάτ; EOH/LT-09W EEC - 1200 βάτ; EOH/LT-11W EEC - 1500 βάτ) λειτουργίας
 III - επιλογή της ισχύς λειτουργίας (EOH/LT-07W EEC - 1500 βάτ; EOH/LT-09W EEC - 2000 βάτ; EOH/LT-11W EEC - 2200 βάτ)
2. Ρυθμιστικός θερμοστάτης
3. Δείκτης λειτουργίας της συσκευής

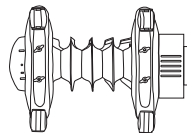
Προετοιμασία για λειτουργία

- Βγάλτε τη συσκευή από τη συσκευασία.
- Βεβαιωθείτε ότι η συσκευή είναι απενεργοποιημένη.
- Ασφαλίστε τη συσκευή σε σταθερή θέση σύμφωνα με τις οδηγίες εγκατάστασης. Αφήστε τη συσκευή απενεργοποιημένη σε κατακόρυφη θέση για 30 λεπτά πριν την ενεργοποιήσετε.
- Δεν συνιστάται η χρήση της ίδιας ηλεκτρικής πρίζας για ταυτόχρονη σύνδεση αυτού του θερμαντήρα και άλλου ηλεκτρικού εξοπλισμού υψηλής ισχύος για την αποφυγή υπερφόρτωσης του ηλεκτρικού σας δικτύου.

Συνοπτικό εγχειρίδιο για εργασία με τη συσκευή

Εγκατάσταση της συσκευής

Η συσκευή είναι εγκατεστημένη στα πόδια για Η στερέωση ενός σετ ποδιών πραγματοποιείται ως εξής .



Εικ. 3

Τεχνικά χαρακτηριστικά

Παράμετρο/ Μοντέλο	ΕΟΗ/LT-07W EEC	ΕΟΗ/LT-09W EEC	ΕΟΗ/LT-11W EEC
Αριθμός τμημάτων	7	9	11
Ισχύς θέρμανσης, βάτ	1500/900/600	2000/1200/800	2200/1200/1000
Τροφοδοσία, V ~ Hz	220-240~50-60	220-240~50-60	220-240~50-60
Ενταση ρεύματος, A	6.8	9.1	10
Κατηγορία ηλεκτρικής προστασίας	I κατηγορία	I κατηγορία	I κατηγορία
Κατηγορία προστασίας από τη σκόνη και υγρασία, IP	IP20	IP20	IP20
Περιοχή θέρμανσης, μ ² *	έως 20	έως 25	έως 27
Διαστάσεις συσκευής (Π×Υ×Β), mm	250×650×360	250×650×440	250×650×520
Διαστάσεις συσκευασίας (Π×Υ×Β), mm	415×705×140	495×705×140	575×705×140
Καθαρό βάρος, σε κιλά	8.3	10.1	11.9
Μεικτό βάρος, σε κιλά	9.2	11.2	13.1

* Η ένδειξη είναι μια κατά προσέγγιση τιμή, η οποία μπορεί να διαφέρει ανάλογα με τις πραγματικές συνθήκες λειτουργίας. Ο κατασκευαστής διατηρεί το δικαίωμα να κάνει αλλαγές.

- Γυρίστε τη θερμάστρα ανάποδα (εικ. 3);
- Σύρετε τη ράβδο στήριξης μέσω του συγκρατητήρα;
- Ασφαλίστε το άλλο άκρο της ράβδου με παξιμάδι.

Ενεργοποίηση/επιλογή ισχύος λειτουργίας του θερμαντήρα

- Για να ενεργοποιήσετε τη συσκευή, γυρίστε το κάτω κουμπί του πίνακα ελέγχου προς τα δεξιά, επιλέξτε την επιθυμητή ισχύ της συσκευής.

Ρύθμιση της θερμοκρασίας

- Για να ρυθμίσετε την απαιτούμενη θερμοκρασία θέρμανσης και να διατηρήσετε μια σταθερή θερμοκρασία δωματίου, ενεργοποιήστε τη συσκευή με πλήρη ισχύ μετακινώντας το κουμπί ελέγχου του θερμοστάτη στη θέση «max». Όταν η θερμοκρασία του δωματίου φτάσει σε ένα άνετο επίπεδο, ξεκινήστε αργά να γυρίσετε το κουμπί ελέγχου θερμοστάτη προς τα αριστερά μέχρι να ακούσετε ένα κλικ. Έτσι, η συσκευή θα θυμάται τη θερμοκρασία που είναι άνετη για σας και θα την διατηρήσει με αυτόματη ενεργοποίηση και απενεργοποίηση.

Τερματισμός λειτουργίας

- Για να απενεργοποιήσετε την θερμάστρα, γυρίστε τον διακόπτη επιλογής λειτουργίας στη θέση «OFF». Η συσκευή απενεργοποιείται.

Λειτουργία προστασίας από υπερθέρμανση

- Ο θερμαντήρας σβήνει αυτόματα σε περίπτωση υπερθέρμανσης.

Λειτουργία προστασίας από ανατροπή

- Η συσκευή διαθέτει αυτόματο διακόπτη, ο οποίος ενεργοποιείται εάν η συσκευή αποκλίνει από τη θέση εργασίας. Ο θερμαντήρας απενεργοποιείται αυτόματα.

Φροντίδα και συντήρηση

Ο θερμαντήρας λαδιού δεν απαιτεί ιδιαίτερη φροντίδα.

Πριν από τη συντήρηση (φροντίδα), είναι απαραίτητο να αποσυνδέσετε μια θερμάστρα από το δίκτυο τροφοδοσίας.

Το σώμα της συσκευής πρέπει να σκουπίζεται κατά καιρούς με ένα μαλακό πανί ή ένα υγρό σφουγγάρι. Ποτέ μην χρησιμοποιείτε λειαντικά, αφρούς ή διαλύτες.

Αντιμετώπιση προβλημάτων

Σημάδι δυσλειτουργίας	Αιτία δυσλειτουργίας	Βήματα αντιμετώπισης προβλημάτων
δεν θερμαίνεται	1) Το καλώδιο τροφοδοσίας δεν είναι σωστά συνδεδεμένο. 2) Ο θερμαντήρας είναι απενεργοποιημένος. 3) Η πραγματική θερμοκρασία δωματίου υπερβαίνει τη ρύθμιση του θερμοστάτη.	1) Δημιουργήστε μια αξιόπιστη σύνδεση. 2) Θέστε σε λειτουργία τη θερμάστρα. 3) Ρυθμίστε τη λειτουργία θερμοκρασίας του θερμαντήρα.

Εξοπλισμός

- Θερμάστρα γεμάτη λάδι
- Συνδετήρες
- Ένα σετ ποδιών με ρόδες
- Οδηγίες

Αποθήκευση της συσκευής

Πριν αποθηκεύσετε το αερόθερμο, βεβαιωθείτε ότι έχει κρυσώσει.

Συνιστάται να καθαρίσετε το αερόθερμο και η αποθήκευση (κατά προτίμηση στην αρχική συσκευασία) σε δροσερό και ξηρό μέρος, εάν σκοπεύετε να μην χρησιμοποιήσετε τη συσκευή για μεγάλο χρονικό διάστημα

Ανακύκλωση



Μια χρησιμοποιημένη συσκευή δεν μπορεί να απορριφθεί με οικιακά απορρίμματα (2012/19/EU)

Υποχρεώσεις εγγύησης

Η υπηρεσία εγγύησης εκτελείται σύμφωνα με τους όρους που καθορίζονται στην ενότητα "Εγγύηση"

Εγγύηση:

- Η περίοδος εγγύησης για το προϊόν είναι δύο χρόνια από την ημερομηνία αγοράς. Εάν προκύψουν ελαττώματα λόγω ελαττωμάτων υλικών και/ή κατασκευής κατά τη διάρκεια αυτής της διετούς περιόδου εγγύησης, το προϊόν θα επισκευαστεί ή θα αντικατασταθεί.
- Δωρεάν επισκευή ή αντικατάσταση είναι δυνατή μόνο εάν παρέχονται πειστικά αποδεικτικά στοιχεία, για παράδειγμα μια απόδειξη που επιβεβαιώνει ότι η ημέρα που ζητήθηκε η υπηρεσία είναι εντός της περιόδου εγγύησης.
- Η εγγύηση δεν καλύπτει προϊόντα και/ή μέρη του προϊόντος που υπόκεινται σε φθορά, τα οποία μπορούν να θεωρηθούν αναλώσιμα από τη φύση τους και τα οποία είναι κατασκευασμένα από γυαλί.
- Η εγγύηση είναι άκυρη εάν το ελάττωμα προκαλείται από ζημιά που προκαλείται από ακατάλληλη χρήση, κακή συντήρηση (για

παράδειγμα, η βλάβη προκλήθηκε από ξένα αντικείμενα ή υγρά που εισέρχονταν στο προϊόν) ή εάν πραγματοποιήθηκαν αλλαγές ή επισκευές από άτομα που δεν έχουν εξουσιοδοτηθεί από τον Κατασκευαστή

- Για τη σωστή χρήση του προϊόντος, ο χρήστης πρέπει να τηρεί αυστηρά όλες τις οδηγίες που περιλαμβάνονται στο εγχειρίδιο χρήστη και πρέπει να απέχει από οποιαδήποτε ενέργεια ή χειραγώγηση που περιγράφεται ως ανεπιθύμητη ή που αναφέρεται στο εγχειρίδιο χρήστη.
- Αυτοί οι περιορισμοί εγγύησης δεν επηρεάζουν τα νόμιμα δικαιώματά σας.

Υποστήριξη:

Υποστήριξη κατά τη διάρκεια και μετά την περίοδο εγγύησης είναι διαθέσιμη σε όλες τις χώρες όπου το προϊόν διανέμεται επίσημα. Επικοινωνήστε με τον πωλητή για βοήθεια.

Ημερομηνία κατασκευής

Η ημερομηνία κατασκευής αναφέρεται στο αυτοκόλλητο στο σώμα της συσκευής, και επίσης κρυπτογραφημένο στον Code-128.

Η ημερομηνία κατασκευής καθορίζεται ως εξής

SN XXXXXXX XXXX XXXXXX XXXXX

μήνας και έτος παραγωγής

Μην αφαιρείτε και προσέξτε την ασφάλεια του σειριακού αριθμού στη συσκευή. Εάν το αυτοκόλλητο σειριακού αριθμού χαθεί ή καταστραφεί, δεν θα είναι δυνατό να αποκατασταθεί η ημερομηνία παραγωγής αν είναι απαραίτητη.

Εισαγωγέας

Κατασκευαστής: CladSwiss AG,
Μπάνχοφστρασε, 27, 6300 Ζουγκ, Ελβετία.
E-mail: info@cladswiss.com

Κατασκευασμένο στη Λαϊκή Δημοκρατία της Κίνας

Το Electrolux είναι εγγεγραμμένο εμπορικό σήμα, που χρησιμοποιείται με άδεια από την AB Electrolux (ruhl.).

Ο κατασκευαστής διατηρεί το δικαίωμα να κάνει αλλαγές στο σχεδιασμό και τα χαρακτηριστικά της συσκευής.

Το κείμενο και οι αριθμοί στην οδηγία χρήσης ενδέχεται να περιέχουν τεχνικά λάθη και τυπογραφικά λάθη.
Οι αλλαγές στις προδιαγραφές και το εύρος μπορούν να αλλάξουν χωρίς προειδοποίηση.

Επιτρέπονται σφάλματα και τυπογραφικά λάθη σε κείμενα και αριθμούς.

Ο σχεδιασμός και τα τεχνικά δεδομένα της συσκευής ενδέχεται να διαφέρουν από αυτά που εμφανίζονται στη συσκευασία. Παρακαλούμε επικοινωνήστε με σύμβουλο πωλήσεων για περισσότερες λεπτομέρειες.

Απαιτήσεις πληροφοριών για ηλεκτρικούς τοπικούς θερμαντήρες					
Αναγνωριστικά μοντέλου: EOH/LT-07W EEC					
Απαιτείται	Σύμβολο	αξία	Μονάδα	Απαιτείται	Μονάδα
Θερμική ισχύς			Τύπος παροχής θερμότητας, μόνο για τοπικούς θερμαντήρες με ηλεκτρική αποθήκευση (επιλέξτε έναν)		
Ονομαστική θερμική ισχύς	P_{nom}	1.5	kW	χειροκίνητη ρύθμιση του φορτίου θερμότητας, με ενσωματωμένο θερμοστάτη	ΝΑΙ
Ελάχιστη απόδοση θερμότητας (ενδεικτική)	P_{min}	0.6	kW	χειροκίνητος έλεγχος φόρτισης θερμότητας με ανατροφοδότηση θερμοκρασίας δωματίου και/ή εξωτερικού χώρου	ΔΕΝ
Μέγιστη συνεχής παραγωγή θερμότητας	$P_{max,c}$	1.5	kW	ηλεκτρονικός έλεγχος της φόρτισης της θερμότητας σε εσωτερικούς και/ή εξωτερικούς χώρους	ΔΕΝ
Βοηθητική κατανάλωση ενέργειας			θερμική ισχύ από ανεμιστήρα		ΔΕΝ
ονομαστική παραγωγή θερμότητας	eI_{max}	H/H	kW	Τύπος ελέγχου θερμότητας/θερμοκρασίας δωματίου (επιλέξτε έναν)	
ελάχιστη παραγωγή θερμότητας	eI_{min}	H/H	kW	έξοδος θερμότητας ενός σταδίου και χωρίς έλεγχο θερμοκρασίας δωματίου	ΔΕΝ
Σε κατάσταση αναμονής	eI_{SB}	H/H	kW	Δύο ή περισσότερα χειροκίνητα στάδια, χωρίς έλεγχο θερμοκρασίας δωματίου	ΔΕΝ
				με μηχανικό θερμοστάτη για έλεγχο θερμοκρασίας δωματίου	ΝΑΙ
				με ηλεκτρονικό έλεγχο θερμοκρασίας δωματίου	ΔΕΝ
				ηλεκτρονικός έλεγχος της θερμοκρασίας δωματίου συν χρονομετρητής ημέρας	ΔΕΝ
				ηλεκτρονικός έλεγχος θερμοκρασίας δωματίου συν εβδομαδιαίο χρονομέτρο	ΔΕΝ
Άλλες επιλογές ελέγχου (είναι δυνατές πολλές επιλογές)					
				έλεγχος θερμοκρασίας δωματίου με ανίχνευση παρουσίας	ΔΕΝ
				έλεγχος θερμοκρασίας δωματίου, με ανοιχτό παράθυρο	ΔΕΝ
				με δυνατότητα τηλεχειρισμού	ΔΕΝ
				με προσαρμοστικό έλεγχο εκκίνησης	ΔΕΝ
				με περιορισμό χρόνου εργασίας	ΔΕΝ
				με αισθητήρα λαμπτήρα	ΔΕΝ
Στοιχεία επικοινωνίας	Κατασκευαστής: CladSwiss AG, Μπάνχοφστρασε, 27, 6300 Ζουγκ, Ελβετία. E-mail: info@cladswiss.com				

Απαιτήσεις πληροφοριών για ηλεκτρικούς τοπικούς θερμαντήρες					
Αναγνωριστικά μοντέλου: EOH/LT-09W EEC					
Απαιτείται	Σύμβολο	αξία	Μονάδα	Απαιτείται	Μονάδα
Θερμική ισχύς			Τύπος παροχής θερμότητας, μόνο για τοπικούς θερμαντήρες με ηλεκτρική αποθήκευση (επιλέξτε έναν)		
Ονομαστική θερμική ισχύς	P_{nom}	2.0	kW	χειροκίνητη ρύθμιση του φορτίου θερμότητας, με ενσωματωμένο θερμοστάτη	ΝΑΙ
Ελάχιστη απόδοση θερμότητας (ενδεικτική)	P_{min}	0.8	kW	χειροκίνητος έλεγχος φόρτισης θερμότητας με ανατροφοδότηση θερμοκρασίας δωματίου και/ή εξωτερικού χώρου	ΔΕΝ
Μέγιστη συνεχής παραγωγή θερμότητας	$P_{max,c}$	2.0	kW	ηλεκτρονικός έλεγχος της φόρτισης της θερμότητας σε εσωτερικούς και/ή εξωτερικούς χώρους	ΔΕΝ
Βοηθητική κατανάλωση ενέργειας			θερμική ισχύ από ανεμιστήρα		ΔΕΝ
ονομαστική παραγωγή θερμότητας	eI_{max}	H/H	kW	Τύπος ελέγχου θερμότητας/θερμοκρασίας δωματίου (επιλέξτε έναν)	
ελάχιστη παραγωγή θερμότητας	eI_{min}	H/H	kW	έξοδος θερμότητας ενός σταδίου και χωρίς έλεγχο θερμοκρασίας δωματίου	ΔΕΝ
Σε κατάσταση αναμονής	eI_{sb}	H/H	kW	Δύο ή περισσότερα χειροκίνητα στάδια, χωρίς έλεγχο θερμοκρασίας δωματίου	ΔΕΝ
				με μηχανικό θερμοστάτη για έλεγχο θερμοκρασίας δωματίου	ΝΑΙ
				με ηλεκτρονικό έλεγχο θερμοκρασίας δωματίου	ΔΕΝ
				ηλεκτρονικός έλεγχος της θερμοκρασίας δωματίου συν χρονομετρητής ημέρας	ΔΕΝ
				ηλεκτρονικός έλεγχος θερμοκρασίας δωματίου συν εβδομαδιαίο χρονοόμετρο	ΔΕΝ
Άλλες επιλογές ελέγχου (είναι δυνατές πολλές επιλογές)					
				έλεγχος θερμοκρασίας δωματίου με ανίχνευση παρουσίας	ΔΕΝ
				έλεγχος θερμοκρασίας δωματίου, με ανοιχτό παράθυρο	ΔΕΝ
				με δυνατότητα τηλεχειρισμού	ΔΕΝ
				με προσαρμοστικό έλεγχο εκκίνησης	ΔΕΝ
				με περιορισμό χρόνου εργασίας	ΔΕΝ
				με αισθητήρα λαμπτήρα	ΔΕΝ
Στοιχεία επικοινωνίας	Κατασκευαστής: CladSwiss AG, Μπάνχοφστρασε, 27, 6300 Ζουγκ, Ελβετία. E-mail: info@cladswiss.com				

Απαιτήσεις πληροφοριών για ηλεκτρικούς τοπικούς θερμαντήρες					
Αναγνωριστικά μοντέλου: EOH/LT-11W EEC					
Απαιτείται	Σύμβολο	αξία	Μονάδα	Απαιτείται	Μονάδα
Θερμική ισχύς			Τύπος παροχής θερμότητας, μόνο για τοπικούς θερμαντήρες με ηλεκτρική αποθήκευση (επιλέξτε έναν)		
Ονομαστική θερμική ισχύς	P_{nom}	2.2	kW	χειροκίνητη ρύθμιση του φορτίου θερμότητας, με ενσωματωμένο θερμοστάτη	ΝΑΙ
Ελάχιστη απόδοση θερμότητας (ενδεικτική)	P_{min}	1	kW	χειροκίνητος έλεγχος φόρτισης θερμότητας με ανατροφοδότηση θερμοκρασίας δωματίου και/ή εξωτερικού χώρου	ΔΕΝ
Μέγιστη συνεχής παραγωγή θερμότητας	$P_{max,c}$	2.2	kW	ηλεκτρονικός έλεγχος της φόρτισης της θερμότητας σε εσωτερικούς και/ή εξωτερικούς χώρους	ΔΕΝ
Βοηθητική κατανάλωση ενέργειας			θερμική ισχύ από ανεμιστήρα		ΔΕΝ
ονομαστική παραγωγή θερμότητας	eI_{max}	H/H	kW	Τύπος ελέγχου θερμότητας/θερμοκρασίας δωματίου (επιλέξτε έναν)	
ελάχιστη παραγωγή θερμότητας	eI_{min}	H/H	kW	έξοδος θερμότητας ενός σταδίου και χωρίς έλεγχο θερμοκρασίας δωματίου	ΔΕΝ
Σε κατάσταση αναμονής	eI_{SB}	H/H	kW	Δύο ή περισσότερα χειροκίνητα στάδια, χωρίς έλεγχο θερμοκρασίας δωματίου	ΔΕΝ
				με μηχανικό θερμοστάτη για έλεγχο θερμοκρασίας δωματίου	ΝΑΙ
				με ηλεκτρονικό έλεγχο θερμοκρασίας δωματίου	ΔΕΝ
				ηλεκτρονικός έλεγχος της θερμοκρασίας δωματίου συν χρονομετρητής ημέρας	ΔΕΝ
				ηλεκτρονικός έλεγχος θερμοκρασίας δωματίου συν εβδομαδιαίο χρονομέτρο	ΔΕΝ
Άλλες επιλογές ελέγχου (είναι δυνατές πολλές επιλογές)					
				έλεγχος θερμοκρασίας δωματίου με ανίχνευση παρουσίας	ΔΕΝ
				έλεγχος θερμοκρασίας δωματίου, με ανοιχτό παράθυρο	ΔΕΝ
				με δυνατότητα τηλεχειρισμού	ΔΕΝ
				με προσαρμοστικό έλεγχο εκκίνησης	ΔΕΝ
				με περιορισμό χρόνου εργασίας	ΔΕΝ
				με αισθητήρα λαμπτήρα	ΔΕΝ
Στοιχεία επικοινωνίας	Κατασκευαστής: CladSwiss AG, Μπάνχοφστρασε, 27, 6300 Ζουγκ, Ελβετία. E-mail: info@cladswiss.com				

OBSAH

1. ÚVOD.....	65
2. BEZPEČNOSTNÍ POKYNY.....	65
3. INSTALAČNÍ PRAVIDLA.....	66
4. PŘEHLED ZAŘÍZENÍ.....	66
5. OVLÁDACÍ PANEL PŘÍSTROJE.....	66
6. PŘÍPRAVA K PROVOZU.....	66
7. SPECIFIKACE.....	67
8. RYCHLÝ NÁVOD K POUŽITÍ.....	67
9. PÉČE A ÚDRŽBA.....	67
10. HLEDÁNÍ PORUCH.....	68
11. KOMPLETACE.....	68
12. SKLADOVÁNÍ SPOTŘEBIČE.....	68
13. UTILIZACE.....	68
14. ZÁRUČNÍ PODMÍNKY.....	68
15. DATUM VÝROBY.....	68

MYSLÍME O VÁS

Děkujeme, že jste si koupili Electrolux. Vybrali jste si produkt podporovaný desetiletými profesionálních zkušeností a inovací. Unikátní a stylový, byl navržen s ohledem na vás. Proto, kdykoli jej použijete, můžete si být jisti, že výsledek bude vždy vynikající. Vítejte v Electrolux!

Na našem webu můžete:

Najít doporučení pro použití produktů, návody k ohlsuze a informace o technické údržbě:
<http://www.home-comfort.com/support/>



Koupit si product ve vašem městě:
<http://www.home-comfort.com/search/find-a-store/>



Při prodeji produktu je prodejce povinen vyplnit oddíl „Product details“ na vnitřní straně zadního přebalu tohoto návodu.

**Použité označení**

Pozor/Důležité bezpečnostní informace



Všeobecná informace a doporučení

Záruční servis se provádí v souladu s podmínkami uvedenými v části Záruční povinnosti

Poznámka:

V textu této příručky může mít olejový ohřivač takové technické názvy jako zařízení, spotřebič, přístroj atd.

Toto zařízení je vhodné pouze pro dobře izolované místnosti nebo příležitostné použití.

Úvod

Přečtěte si a přísně dodržujte požadavky obsažené v tomto návodu k použití. Manuál a dokumenty, které potvrzují datum nákupu zařízení, uschovejte na bezpečném místě, aby jej bylo možné v budoucnu snadno najít a použít.

Přístroj je určen k ohřevu vzduchu v domácnostech.

Bezpečnostní pokyny



Pozor!

Požadavky, které, pokud nebudou dodrženy, by mohly mít za následek vážné zranění nebo vážné poškození zařízení.

Při používání zařízení dodržujte obecná bezpečnostní pravidla při používání elektrických zařízení. Nedodržení bezpečnostních pokynů a předpisů může vést k úrazu elektrickým proudem, požáru nebo vážnému zranění.

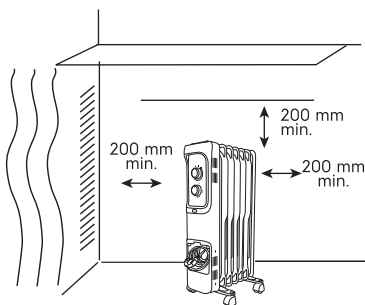
Před použitím zařízení si pečlivě přečtěte následující bezpečnostní opatření:

- Před použitím ohřívače si přečtěte příručku a mějte ji po ruce.
- Používejte ohřívač pouze při napětí uvedeném na nálepce spotřebiče.
- Neblokujte ani neomezujte proudění vzduchu vstupními a výstupními mřížkami, aby nedošlo k přehřátí a požáru.
- Neumisťujte ohřívač do těsné blízkosti žádného povrchu, protože by to mohlo mít za následek překryvání mřížky a znemožnění přístupu a odsávání vzduchu.
- Neumisťujte ohřívač blízko topných těles.
- Nepoužívejte ohřívač v místech, kde se používá nebo skladuje palivo, barva nebo jiné hořlavé kapaliny.
- Tento spotřebič se během používání zahřívá. Nedotýkejte se horkého povrchu, aby nedošlo k popálení. Před přemístěním na jiné místo vypněte spotřebič a nechte jej vychladnout.
- Nepoužívejte ohřívač k sušení oděvů.
- Neponořujte zařízení do kapaliny, dávejte pozor, aby se do přístroje nedostala tekutina, protože by mohlo dojít k úrazu elektrickým proudem.
- Pokud zařízení spadne do vody, nevytahujte jej. Okamžitě odpojte síťovou zástrčku.
- Nepoužívejte ohřívač s poruchami a/nebo poškozeným nebo roztrženým napájecím kabelem.
- Síťový kabel musí být umístěn tak, aby na něj nebylo šlápnuto, aby nedošlo k jeho odření, roztržení, smyčkám ani k jinému poškození.
- Nedotýkejte se běžícího ohřívače mokřými rukama.
- Při čištění nepoužívejte abrazivní čisticí prostředky. Vyčistěte jej vlhkým hadříkem (ne mokřým) navlhčeným horkou vodou. Před čištěním vždy odpojte spotřebič ze sítě.
- Nepřipojujte zařízení k napájecímu zdroji, dokud není kompletní montáž a seřízení.
- Nepoužívejte spotřebič v bezprostřední blízkosti vany, sprchy nebo jiné nádoby s tekutinou.
- Zařízení musí být používáno ve svislé poloze.
- Před přemístěním spotřebič vypněte a nechte jej vychladnout.
- Nepoužívejte spotřebič s krouceným napájecím kabelem. Toto by mohlo přivést k přehřátí a/nebo nehodě.
- Nedoporučuje se používat prodlužovací kabel.
- Neodpojujte zástrčku ze zásuvky před vypnutím spotřebiče.
- Při vyjímání zástrčky ze zásuvky netahejte za vodič - držte ji za zástrčku.
- Pokud se zařízení nepoužívá, odpojte jej ze sítě.
- Tento spotřebič není vhodný k použití na kobercích s dlouhým vlasem a na kobercích Flokati.
- Během provozu se ujistěte, že se vodič nedotýká zahřátého povrchu.
- Nezakrývejte drát pod koberce a nedávejte ho na koberce atd. Umístěte drát tak, abyste o něj nezakopnuli.
- Drát neseskupujte ani neohýbejte kolem ohřívače, protože to může způsobit otěr a zhoršení izolace. Ujistěte se, že je drát vytažený na celou délku.
- Nepoužívejte zařízení venku ani jej nenechávejte na vlhké podlaze.
- Nedávejte spotřebič do místa skladování, když je ještě horký.
- Nedovolte dětem hrát s přístrojem.
- Spotřebič by neměl být umístěn přímo vedle nebo pod zásuvkou.
- Abyste zabránili přehřátí, nezakrývejte ohřívač.
- Poškozený napájecí kabel musí být vyměněn prodejcem, aby nedošlo k nehodám.
- Aby nedošlo k resetování tepelné pojistky,

nemělo by být toto zařízení používáno ve spojení s pomocnými spínacími zařízeními. Spotřebič by také neměl být připojen k obvodu, který je často spínán a rozepínán.

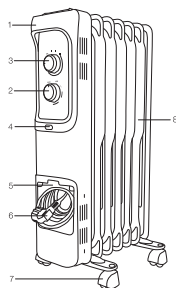
- Tento spotřebič používejte pouze k určenému účelu a v souladu s touto příručkou. Jakékoli jiné použití není doporučeno výrobcem a může mít za následek požár, úraz elektrickým proudem nebo nehodu.
- Tento spotřebič je určen pouze pro domácí použití, nedoporučuje se pro průmyslové použití.

Instalační pravidla



Přehled zařízení

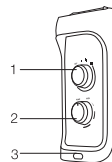
Obecný výhled



Obr. 1

1. Rukojeť pro přenášení
2. Ovládací termostat
3. Zapínání/vypínání zařízení, výběr provozního výkonu
4. Indikátor provozu zařízení
5. Prostor pro uložení napájecího kabelu
6. Napájecí Kabel
7. Nohy s kolečky
8. Tělo přístroje

Ovládací panel přístroje



Obr. 2

1. Tlačítka pro výběr provozního režimu:
 OFF - vypínání zařízení
 I - zapnutí ohřivače, výběr výkonu (EOH/LT-07W EEC - 600 W; EOH/LT-09W EEC - 800 W; EOH/LT-11W EEC - 1000 W)
 II - zapnutí ohřivače, výběr výkonu (EOH/LT-07W EEC - 900 W; EOH/LT-09W EEC - 1200 W; EOH/LT-11W EEC - 1500 W)
 III - výběr výkonu (EOH/LT-07W EEC - 1500 W; EOH/LT-09W EEC - 2000 W; EOH/LT-11W EEC - 2200 W)
2. Ovládací termostat
3. Indikátor provozu přístroje

Příprava k provozu

- Vyměňte zařízení z obalu.
- Ujistěte se, že je přístroj vypnutý.
- Upevněte zařízení ve stabilní poloze podle montážních pokynů. Před zapnutím nechte odpojené zařízení ve svislé poloze po dobu 30 minut.
- Nedoporučuje se používat stejnou elektrickou zásuvku k připojení tohoto ohřivače a dalších vysoce výkonných elektrických zařízení současně, aby nedošlo k přetížení vaší elektrické sítě.

Specifikace

Parametr/model	EOH/LT-07W EEC	EOH/LT-09W EEC	EOH/LT-11W EEC
Počet sekcí	7	9	11
Topný výkon, W	1500/900/600	2000/1200/800	2200/1200/1000
Zdroj napájení, W-Hz	220-240-50-60	220-240-50-60	220-240-50-60
Síla proudu, A	6.8	9.1	10
Třída elektrické ochrany	I	I	I
Třída ochrany proti prachu a vlhkosti, IP	IP20	IP20	IP20
Plocha vytápění, m ² *	až 20	až 25	až 27
Rozměry zařízení (Š×V×H), mm	250×650×360	250×650×440	250×650×520
Rozměry balení (Š×V×H), mm	415×705×140	495×705×140	575×705×140
Čistá hmotnost, kg	8.3	10.1	11.9
Hrubá hmotnost, kg	9.2	11.2	13.1

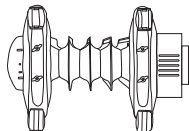
*Udává se jako orientační hodnota a může se lišit v závislosti na skutečných podmínkách použití.

Výrobce si vyhrazuje právo na změny

Rychlý návod k použití

Instalace spotřebiče

Zařízení je instalováno na nohu pro volný pohyb.



Obr. 3

Namontujte sadu nohou následovně:

- Otočte ohřívač vzhůru nohama (obr. 3);
- Protáhněte latku opěrné nohy přes fixátor;
- Druhý konec lačky zajistěte maticí.

Zapnutí/výběr provozního výkonu ohřívače

- Chcete-li zařízení zapnout, otočte dolní knoflík ovládacího panelu doprava a vyberte požadovaný výkon zařízení.

Nastavení teploty

- Chcete-li nastavit požadovanou teplotu vytápění a udržovat konstantní teplotu v místnosti, zapněte zařízení na plný výkon přesunutím ovládacího knoflíku termostatu do polohy „max“. Jakmile pro vás pokojová teplota dosáhne příjemné úrovně, začněte pomalu otáčet ovládacím knoflíkem termostatu doleva, dokud neuslyšíte cvaknutí. Zařízení si tak bude

pamatovat teplotu, která vám vyhovuje, a bude ji udržovat automatickým zapínáním a vypínáním.

Vypnutí

- Chcete-li topení vypnout, otočte knoflík volby výkonu do polohy „OFF“. Zařízení se vypne.

Funkce ochrany proti přehřátí

- V případě přehřátí se ohřívač automaticky vypne.

Funkce ochrany od převrácení

- Zařízení je vybaveno automatickým spínačem, který se aktivuje, pokud se zařízení odchýlí od provozní polohy. Ohřívač se automaticky vypne.

Péče a údržba

Olejový ohřívač nevyžaduje žádnou zvláštní údržbu. Před obsluhovaním (opatrováním) musí být topení odpojeno od sítě. Tělo přístroje by mělo být čas od času vyčištěno měkkým hadříkem nebo vlhkou houbou. Nikdy nepoužívejte abraziva, saponáty nebo rozpouštědla.

Hledání poruch

Príznak poruchy	Příčina poruchy	Kroky pro odstraňování poruchy
Není topení	1) Nespolehlivé připojení napájecího kabelu. 2) Ohřívač je vypnut. 3) Skutečná teplota v místnosti je vyšší než nastavení termostatu.	1) Vytvořte spolehlivé spojení. 2) Nastavte ohřívač do provozního režimu. 3) Nastavte teplotní režim ohřívače.

Kompletace

- Ohřívač naplněný olejem
- Spojovací prvky
- Sada nohou s kolečky
- Návod

Skladování spotřebiče

Před tím, abyste dali ohřívač pro uschování, se ujistěte, že je ochlazen. Pokud plánujete přístroj delší dobu nepoužívat, doporučujeme jej vyčistit a skladovat (nejlépe v původním obalu) na chladném suchém místě.

Utilizace



Odsloužený spotřebič nelze utilizovat společně s komunálním odpadem (2012/19/EU).

Záruční podmínky

Záruční servis se provádí v souladu s podmínkami uvedenými v části "Záruční podmínky".

Záruka:

- Záruční doba na výrobek je dva roky od data nákupu. Pokud se během této dvouleté záruční doby vyskytnou nějaké závady způsobené vadami materiálu nebo zpracování, bude produkt opraven nebo vyměněn.
- Opravy nebo výměny zdarma jsou možné pouze tehdy, jsou-li předloženy přesvědčivé důkazy, například s potvrzením, že den, kdy je požadována služba, je v záruční době.

- Záruka se nevztahuje na výrobky a/nebo části výrobku, které podléhají opotřebení a které lze považovat za spotřební materiál nebo ze skla.
- Záruka není platná, je-li vada způsobena poškozením, způsobeným nesprávným používáním, špatnou údržbou (např. odmítnutí vznikl kvůli vniknutí dovnitř výrobky cizích předmětů nebo kapalin), nebo pokud změny nebo opravy byly provedeny osobami, které nejsou autorizované Výrobce.
- Pro správné používání produktu musí uživatel přísně dodržovat všechny pokyny obsažené v uživatelské příručce a musí se zdržet jakýchkoli činností nebo manipulací, které jsou popsány jako nežádoucí nebo které jsou uvedeny v uživatelské příručce.
- Tato omezení záruky neovlivňují vaše zákonná práva.

Podpora:

Podpora během a po záruční době je k dispozici ve všech zemích, kde je produkt oficiálně distribuován. Obráťte se na prodejce o pomoc.

Datum výroby

Datum výroby je uvedeno na štítku na těle zařízení a je také zašifrováno v Code-128.

Datum výroby se stanoví takto:

SN XXXXXXXX XXXX XXXXXX XXXXX

měsíc a rok výroby

Neodstraňujte a uchovávejte sériové číslo zařízení. Pokud dojde ke ztrátě nebo poškození nálepky se sériovým číslem, nebude možné v případě potřeby obnovit datum výroby.

Importér

Výrobce: CladSwiss AG,
Bahnhofstrasse 27, 6300 Zug, Švýcarsko.
E-mail: info@cladswiss.com

Vyrobeno v Číně.

Electrolux je registrovaná ochranná známka používaná na základě licence AB Electrolux (publ.).

Výrobce si vyhrazuje právo provádět změny v konstrukci a specifikacích zařízení.

Text a čísla pokynů mohou obsahovat technické chyby a typografické chyby. Specifikace a změny sortimentu se mohou změnit bez předchozího upozornění.

Chyby a tiskové chyby jsou povoleny v textech a číselných označeních. Konstrukce a technické údaje zařízení se mohou lišit od údajů uvedených na obalu. Pro více informací kontaktujte svého obchodního poradce.

Požadavek na informace pro elektrické lokální ohřívače prostoru					
Identifikátory modelu: EOH/LT-07W EEC					
Předmět	Symbol	Hodnota	Jednotka	Předmět	Jednotka
Tepelný výkon				Typ dodávky tepla, pouze pro lokální ohřívače s elektrickým zásobníkem (vyberte jeden)	
Jmenovitý tepelný výkon	P_{nom}	1.5	kW	ruční regulace tepelného nabíjení, s integrovaným termostatem	ANO
Minimální tepelný výkon (orientační)	P_{min}	0.6	kW	ruční regulace tepelného náboje se zpětnou vazbou na vnitřní a/nebo venkovní teplotu	NE
Maximální trvalý tepelný výkon	$P_{max,c}$	1.5	kW	elektronická regulace tepelného náboje se zpětnou vazbou na pokojovou a/nebo venkovní teplotu	NE
Pomocná spotřeba elektřiny				tepelný výkon pomocí ventilátoru	
Při jmenovitém tepelném výkonu	$e_{l_{max}}$	N/A	kW	Typ regulace tepelného výkonu/pokojové teploty (vyberte jednu)	
Při minimálním tepelném výkonu	$e_{l_{min}}$	N/A	kW	jednostupňový tepelný výkon bez regulace pokojové teploty	NE
V pohotovostním režimu	$e_{l_{SB}}$	N/A	kW	dva nebo více manuálních stupňů, bez regulace pokojové teploty	NE
				s mechanickou regulací teploty v místnosti	ANO
				s elektronickou regulací pokojové teploty	NE
				elektronická regulace teploty v místnosti plus denní časovač	NE
				elektronická regulace teploty v místnosti plus týdenní časovač	NE
Další možnosti ovládání (je možné několik variant)					
				ovládání pokojové teploty s detekcí přítomnosti	NE
				ovládání teploty v místnosti, s detekcí otevřeného okna	NE
				s možností ovládání vzdálenosti	NE
				s adaptivní kontrolou startu	NE
				s omezením pracovní doby	NE
				s čidlem žárovky	NE
Kontaktní údaje	Výrobce: CladSwiss AG, Bahnhofstrasse 27, 6300 Zug, Švýcarsko. E-mail: info@cladswiss.com				

Požadavek na informace pro elektrické lokální ohřivače prostoru					
Identifikátory modelu: EOH/LT-09W EEC					
Předmět	Symbol	Hodnota	Jednotka	Předmět	Jednotka
Tepelný výkon				Typ dodávky tepla, pouze pro lokální ohřivače s elektrickým zásobníkem (vyberte jeden)	
Jmenovitý tepelný výkon	P_{nom}	2.0	kW	ruční regulace tepelného nabíjení, s integrovaným termostatem	ANO
Minimální tepelný výkon (orientační)	P_{min}	0.8	kW	ruční regulace tepelného náboje se zpětnou vazbou na vnitřní a/nebo venkovní teplotu	NE
Maximální trvalý tepelný výkon	$P_{max,c}$	2.0	kW	elektronická regulace tepelného náboje se zpětnou vazbou na pokojovou a/nebo venkovní teplotu	NE
Pomocná spotřeba elektřiny				tepelný výkon pomocí ventilátoru	
Při jmenovitém tepelném výkonu	el_{max}	N/A	kW	Typ regulace tepelného výkonu/pokojové teploty (vyberte jednu)	
Při minimálním tepelném výkonu	el_{min}	N/A	kW	jednostupňový tepelný výkon bez regulace pokojové teploty	NE
V pohotovostním režimu	el_{sb}	N/A	kW	dva nebo více manuálních stupňů, bez regulace pokojové teploty	NE
				s mechanickou regulací teploty v místnosti	ANO
				s elektronickou regulací pokojové teploty	NE
				elektronická regulace teploty v místnosti plus denní časovač	NE
				elektronická regulace teploty v místnosti plus týdenní časovač	NE
Další možnosti ovládní (je možné několik variant)					
				ovládání pokojové teploty s detekcí přítomnosti	NE
				ovládání teploty v místnosti, s detekcí otevřeného okna	NE
				s možností ovládní vzdálenosti	NE
				s adaptivní kontrolou startu	NE
				s omezením pracovní doby	NE
				s čidlem žárovky	NE
Kontaktní údaje	Výrobce: CladSwiss AG, Bahnhofstrasse 27, 6300 Zug, Švýcarsko. E-mail: info@cladswiss.com				

Požadavek na informace pro elektrické lokální ohříváče prostoru					
Identifikátory modelu: EOH/LT-IIW EEC					
Předmět	Symbol	Hodnota	Jednotka	Předmět	Jednotka
Tepelný výkon				Typ dodávky tepla, pouze pro lokální ohříváče s elektrickým zásobníkem (vyberte jeden)	
Jmenovitý tepelný výkon	P_{nom}	2.2	kW	ruční regulace tepelného nabíjení, s integrovaným termostatem	ANO
Minimální tepelný výkon (orientační)	P_{min}	1	kW	ruční regulace tepelného náboje se zpětnou vazbou na vnitřní a/nebo venkovní teplotu	NE
Maximální trvalý tepelný výkon	$P_{max,c}$	2.2	kW	elektronická regulace tepelného náboje se zpětnou vazbou na pokojovou a/nebo venkovní teplotu	NE
Pomocná spotřeba elektřiny				tepelný výkon pomocí ventilátoru	
Při jmenovitém tepelném výkonu	$e_{l,max}$	N/A	kW	Typ regulace tepelného výkonu/pokojové teploty (vyberte jednu)	
Při minimálním tepelném výkonu	$e_{l,min}$	N/A	kW	jednostupňový tepelný výkon bez regulace pokojové teploty	NE
V pohotovostním režimu	$e_{l,SB}$	N/A	kW	dva nebo více manuálních stupňů, bez regulace pokojové teploty	NE
				s mechanickou regulací teploty v místnosti	ANO
				s elektronickou regulací pokojové teploty	NE
				elektronická regulace teploty v místnosti plus denní časovač	NE
				elektronická regulace teploty v místnosti plus týdenní časovač	NE
Další možnosti ovládání (je možné několik variant)					
				ovládání pokojové teploty s detekcí přítomnosti	NE
				ovládání teploty v místnosti, s detekcí otevřeného okna	NE
				s možností ovládání vzdáleností	NE
				s adaptivní kontrolou startu	NE
				s omezením pracovní doby	NE
				s čidlem žárovky	NE
Kontaktní údaje	Výrobce: CladSwiss AG, Bahnhofstrasse 27, 6300 Zug, Švýcarsko. E-mail: info@cladswiss.com				

TARTALOM

1. BEVEZETÉS	75
2. BIZTONSÁGI ELŐÍRÁSOK	75
3. TELEPÍTÉSI SZABÁLYOK	76
4. A KÉSZÜLÉK ÁLTALÁNOS ÁTTEKINTÉSE	76
5. A KÉSZÜLÉK KEZELŐPANELJE	76
6. FELKÉSZÜLÉS A MŰKÖDTETÉSRE	76
7. SPECIFIKÁCIÓ	76
8. GYORS ÚTMUTATÓ A KÉSZÜLÉK HASZNÁLATÁHOZ	76
9. ÁPOLÁS ÉS KARBANTARTÁS	77
10. HIBAELHÁRÍTÁS	78
11. FELSZERELÉS	78
12. A KÉSZÜLÉK TÁROLÁSA	78
13. ÚJRAHOSZNOÍTÁS	78
14. GARANCIAI KÖTELEZETTSÉGEK	78
15. GYÁRTÁSI DÁTUM	78

GONDOLUNK ÖNRE

Köszönjük, hogy megvásárolta az Electrolux készüléket. Ön kiválasztott egy terméket, amely mögött évtizedes szakmai tapasztalat és innováció áll.

Egyedülálló és elegáns, gondosan az Ön számára készült. Ezért függetlenül attól, mikor is igénybe veszi a készüléket, mindig biztos lehet abban, hogy az eredmény mindig kifogastalan lesz. Üdvözöljük az Electrolux!

Honlapunkon található információ:

Honlapunkon található információ:
termékjavaslatok, kezelési útmutató, üzemeltetési, karbantartási információk:
<http://www.home-comfort.com/support/>



Vásároljon egy terméket a városában:
<http://www.home-comfort.com/search/find-a-store/>



A készülék eladásakor az eladónak ki kell töltenie a „Product details” részt, amely a jelen kezelési útmutató hátlapjának belső részén található.



Használt jelölések



Figyelem/Fontos biztonsági információk



Általános információk és ajánlások

A jótállási szolgáltatást a „Jótállási kötelezettségek” bekezdésben meghatározott feltételeknek megfelelően végzik.

Megjegyzés:

A útmutató szövegében az olaj hőszugárzó rendelkezhet olyan műszaki nevekel, mint készülék, eszköz, apparátus stb.

Ez a készülék csak jól izolált helyiségekben vagy alkalmi használatra alkalmas.

Bevezetés

Kérjük, olvassa el és szigorúan kövesse a jelen kezelési útmutató követelményeit. Az eszköz kézikönyvét és a vásárlás dátumát igazoló dokumentumokat biztonságos helyen őrizze meg, hogy később könnyen megtalálhassa és felhasználhassa.

A készüléket levegő melegítésére tervezték háztartási helyiségekben.

Biztonsági előírások



Figyelem!

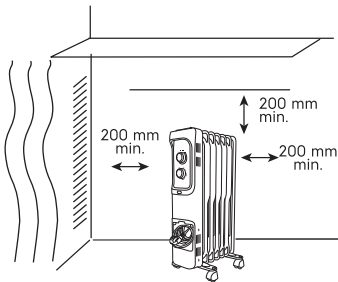
Követelmények, amelyek be nem tartása súlyos sérüléseket vagy a berendezés súlyos károsodását okozhatja.

A készülék üzemeltetése során vegye figyelembe az elektromos eszközök használatára vonatkozó általános biztonsági szabályokat. A biztonsági előírások és utasítások be nem tartása áramütést, tüzet és/vagy súlyos sérüléseket okozhat. A hőszugárzó ventilátor üzembe helyezése előtt olvassa el figyelmesen az alábbi biztonsági óvintézkedéseket:

- A hőszugárzó üzembe helyezése előtt olvassa el a kézikönyvet, és tartsa kéznél.
- A hőszugárzót csak annál a feszültségnél használja, amelyet feltüntettek a készülék címkéjén.
- Ne blokkolja vagy korlátozza a bemeneti és kimeneti rácsokon keresztüli légáramot, a túlmelegedés és a kigyulladás elkerülése érdekében.
- Ne tegye a hőszugárzót semmilyen felület közvetlen közelébe, mert ez a rácsok elfedéséhez vezethet, és akadályozhatja a levegő be- és kiáramlását.
- Ne helyezze a hőszugárzót fűtőkészülékek közelébe.
- Ne használja a hőszugárzót olyan helyeken, ahol üzemanyagot, festéket vagy más gyúlékony folyadékot használnak vagy tárolnak.
- Az üzemeltetés során ez a készülék felforrósodik. Az égési sérülések elkerülése érdekében ne érintse meg a forró felületet. Kapcsolja ki a készüléket, és hagyja lehűlni, mielőtt áthelyezné egy másik helyre.
- Ne használja a hőszugárzót ruhák szárításához.
- Ne merítse a készüléket folyadékba, ügyeljen arra, hogy ne kerüljön folyadék a készülék belsejébe, mert ez áramütést okozhat.
- Ne érjen a készülékhez, ha vízbe esik. Azonnal húzza ki a villát a konnektorból.
- Ne használja a hőszugárzó ventilátort sérülten és / vagy sérült, vagy kopott hálózati kábellel.
- A hálózati kábelt úgy kell elhelyezni, hogy ne lépjenek rá, hogy ne kophasson meg, ne szakadjon el, ne hozzon létre hurkokat és ne sérülhessen meg egyéb módon.
- Ne érjen aműködő hőszugárzóhoz nedves kézzel.
- A készülék tisztításakor nehasználjon súrolószereket. Tisztítsa nedves ruhával (nem vizes), amelyet forró vízzel megnedvesített. Mindig húzza ki a készüléket a konnektorból tisztítás előtt.
- Ne csatlakoztassa a készüléket az áramforráshoz, amíg nem végezte el a teljes összeszerelését és beállítását.
- Ne használja a készüléket kád, zuhanyzó vagy más folyadékkal ellátott tartály közvetlen közelében.
- A készüléket csak függőleges helyzetben lehet használni.
- Az áthelyezése előtt kapcsolja ki a készüléket, és hagyja kihűlni.
- Ne használja a készüléket össze csavart hálózati kábellel, mert túlmelegedéshez és/vagy balesetekhez vezethet.
- Nem ajánlott hosszabbító kábel használata.
- Ne húzza ki a villás dugaszt a konnektorból a készülék kikapcsolása előtt.
- A villás dugasz eltávolítása során a konnektorból, ne húzza ki a vezetéket fogva – fogja meg magát a dugaszt.
- Ha a készüléket nem használja, válassza le a hálózatról.
- Ez a készülék nem alkalmas hosszú szálú szőnyegek és Flokati szőnyegek történő felhasználására.
- Üzemeltetése közben figyeljen arra, hogy a huzal ne érintkezzen a fűtött felülettel.
- Ne rejtse el a vezetéket szőnyeg borítás alá, ne helyezzen rá szőnyeget, futó szőnyeget stb. Helyezze el úgy a vezetéket, hogy ne botlodjon meg benne.
- Ne csavarja, ne hajlítsa és ne tekerje a vezetéket a hőszugárzó körül, mert ez a szigetelés elkopásához és elavulásához. Figyeljen arra, hogy a vezeték teljes hosszában legyen kihúzva.
- Ne használja a készüléket a szabadban, és ne hagyja a nedves padlón.
- Ne tegye a készüléket a tároló helyére, ha még meleg.
- Ne engedélyezze a gyerekeknek, hogy játsszanak a készülékkel.
- A készüléket nem szabad közvetlenül egy konnektor mellé/alá helyezni.
- A túlmelegedés elkerülése érdekében ne takarja le a hőszugárzót.
- A sérült hálózati kábelt a kereskedőnek kell kicserélnie a balesetek elkerülése érdekében.

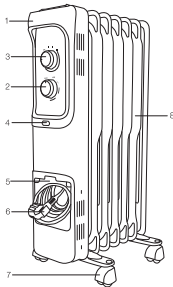
- A hő biztosíték alaphelyzetbe állításának elkerülése érdekében ezt a készüléket nem szabad további kikapcsoló szerkezetekkel együtt használni. Valamint, a készüléket nem szabad olyan áramkörhöz csatlakoztatni, amely gyakran rövidzárlatot és áramszünetet okoz.
- A készüléket csak rendeltetésszerűen használja, a használati útmutatónak megfelelően. Egyéb másra történő felhasználását a gyártó nem javasolja, mert tüzet, áramütést vagy balesetet okozhat.
- Ezt a készüléket csak otthoni használatra szánják, nem ajánlott használni ipari célokra.

Telepítési szabályok



Az eszköz általános áttekintése

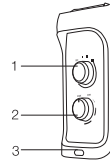
Általános forma



Ábra. 1

1. Hordozó fogantyú
2. Szabályozható termosztát
3. A készülék be- és kikapcsolása, az üzemi teljesítmény kiválasztása
4. A készülék működésének jelzője
5. Rekesz a tápkábel tárolására
6. Tápkábel
7. Lábak görgőkkel
8. A készülék teste

A készülék kezelőpanelje



Ábra 2

1. Üzem mód választógombok:
 - OFF - a készülék kikapcsolása
 - I – a hőszugárzó bekapcsolása, ateljesítmény kiválasztása (EOH/LT-07W EEC – 600 W; EOH/LT-09W EEC – 800 W; EOH/LT-11W EEC – 1000 W)
 - II – a hőszugárzó kikapcsolása, a teljesítmény kiválasztása (EOH/LT-07W EEC – 900 W; EOH/LT-09W EEC – 1200 W; EOH/LT-11W EEC – 1500W)
 - III – a teljesítmény kiválasztása (EOH/LT-07W EEC – 1500 W; EOH/LT-09W EEC – 2000 W; EOH/LT-11W EEC – 2200 W)
2. Szabályozható termosztát
3. A készülék működésének jelzője

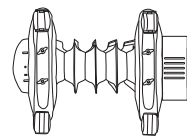
Felkészülés a működtetésre

- Vegye ki az eszközt a csomagolásból.
- Győződjön meg róla, hogy a készülék ki van-e kapcsolva.
- Rögzítse a készüléket stabil helyzetbe, az összeszerelési és telepítési utasítások szerint. Hagyja a kikapcsolt készüléket függőleges helyzetben 30 percre, mielőtt bekapcsolja.
- Nem ajánlott ugyanazt az elektromos konnektort használni a hőszugárzó és más nagy teljesítményű elektromos berendezés egyidejű csatlakoztatásához, az elektromos hálózat túlterhelése elkerülésének érdekében.

Gyors útmutató a készülék használatához

A készülék telepítése

A készüléket lábakra kell felszerelni a szabad mozgás érdekében.



Ábra 3

Specificații

Parametru / Model	EOH/LT-07W EEC	EOH/LT-09W EEC	EOH/LT-11W EEC
Numărul de secțiuni	7	9	11
Puterea de încălzire, W	1500/900/600	2000/1200/800	2200/1200/1000
Alimentare electrică, W-Hz	220-240~50-60	220-240~50-60	220-240~50-60
Puterea curentă, A	6.8	9.1	10
Clasa de protecție electrică	I osztály	I osztály	I osztály
Clasa de protecție împotriva prafului și a umidității, IP	IP20	IP20	IP20
Aria de încălzire, m ² *	20-ig	25-ig	27-ig
Dimensiunile dispozitivului (L×ln×Dm), mm	250×650×360	250×650×440	250×650×520
Mărimea pachetului (L×ln×Dm), mm	415×705×140	495×705×140	575×705×140
Greutate netă, kg	8.3	10.1	11.9
Greutate brută, kg	9.2	11.2	13.1

* A feltüntetett érték tájékoztató jellegű, amely a tényleges működési körülményektől függően eltérő lehet. Producătorul își rezervă dreptul de a face modificări

A lábkészlet felszerelését az alábbiak szerint kell elvégezni:

- Fordítsa fejfelé a melegítőt (3. ábra);
- Vezesse át a támasztóláb rúdját a rögzítőn;
- Rögzítse a rud másik végét egy anyával.

Bekapcsolás/a hősugárgzó működési teljesítményének kiválasztása

- A készülék bekapcsolásához fordítsa jobbra az első vezérlőpult gombját, válassza ki a készülék kívánt működési teljesítményét.

A hőmérséklet beállítása

- A kívánt fűtési hőmérséklet beállításához és az állandó szobahőmérséklet fenntartásához kapcsolja be a készüléket teljes energiával a termosztát vezérlőgombjának „max” állásba mozgatásával. Amikor a szobahőmérséklet eléri az Ön számára megfelelő szintet, lassan forgassa el a termosztát vezérlőgombját balra, amíg kattantást nem hall. Így a készülék megjegyzi az Ön számára kényelmes hőmérsékletet, és az automatikus be- és kikapcsolás révén fenntartja azt.

Kikapcsolás

- A fűtés kikapcsolásához fordítsa a teljesítményválasztó gombot «OFF» helyzetbe. A készülék kikapcsol.

Túlmelegedés elleni védelem

- A hősugárgzó automatikusan kikapcsol túlmelegedés esetén.

Felborulás elleni védelem funkció

- A készülék automatikus kapcsolóval van felszerelve, amely akkor aktiválódik, ha a készülék eltér a munkahelyzetétől. A hősugárgzó automatikusan kikapcsol.

Ápolás és karbantartás

Az olaj hősugárgzó nem igényel különleges karbantartást.

Szervizelés (karbantartás) előtt a hősugárgzót le kell választani a hálózatról.

Az eszköz testét időről időre puha ruhával vagy nedves szivaccsal meg kell tisztítani. Soha ne használjon súrolószert, mosószert vagy oldószert.

Hibaelhárítás

Hiba tünete	Meghibásodás oka	Hibaelhárítási lépések
Nincs fűtés	1) Nem megbízható tápkábel-csatlakozás. 2) A hőszugárzó kikapcsolt. 3) A tényleges szobahőmérséklet magasabb, mint a termosztát beállítása.	1) Hozzon létre egy megbízható kapcsolatot. 2) Állítsa a hőszugárzót üzemmódba. 3) Állítsa be a hőszugárzó hőmérsékleti módját.

Felszerelés

- Olajjal töltött hőszugárzó
- Rögzítőelemek
- Lábkészlet görgőkkel
- Utasítás

A készülék tárolása

Tárolás előtt ellenőrizze, hogy a termoventilátort lehűlt-e.

Javasoljuk, hogy tisztítsa meg a termoventilátort, és tárolja (lehetőleg az eredeti csomagolásban), hűvös, száraz helyen abban az esetben, ha azt tervezi, hogy hosszú ideig nem használja az eszközt.

Hulladékkezelés



Már nem működő készülék nem dobható ki a háztartási hulladékkal együtt (2012/19/EU).

Garanciai kötelezettségek

A jótállási szolgáltatást a „Jótállási kötelezettségek” bekezdésben meghatározott feltételeknek megfelelően végzik.

Garancia:

- A termék jótállási ideje a vásárlás napjától számított két év. Ha bármilyen hiba történik anyag - és/vagy gyártási hiba miatt a kétéves garanciaidő alatt, akkor a terméket megjavítják vagy cserélik.
- Az ingyenes készülék javítása vagy annak csereje csak akkor lehetséges, ha meggyőző bizonyítékokat szolgáltatnak, például egy nyugta segítségével, amely megerősíti, hogy a szolgáltatás igénylésének napja a garanciaidőn belül van.
- A jótállás nem terjed ki a kopott és elhasznált termékekre és/vagy alkatrészekre, amelyeket jellegükben fogyóeszköznek lehet tekinteni, vagy amelyek üvegből készültek.
- A jótállás nem érvényes, ha a hibát nem megfelelő használat, rossz karbantartás okozta (például hiba történt idegen tárgy vagy

folyadék bejutása miatt a termékbe), vagy ha a változásokat vagy javítást végeztek azok a személyek, amelyek nem a Gyártó által voltak jogosulva.

- A termék helyes használatához a felhasználónak szigorúan be kell tartania az összes utasítást, amelyek a felhasználói kézikönyvben szerepelnek, és tartózkodnia kell minden olyan művelettől vagy manipulációtól, amelyet nem kívánatosnak írnak le, vagy amelyet a felhasználói kézikönyv jelez.
- Ezek a garanciakorlátozások nem befolyásolják az Ön törvényes jogait.

Támogatás:

A támogatás a garancia időszak alatt és azt követően minden országban rendelkezésre áll, ahol a terméket hivatalosan forgalmazzák. Forduljon segítségért az eladóhoz.

Gyártási dátum

A gyártás dátuma az eszköz testén található matricán van feltüntetve, és kódolva van a Code-128-ban is.

A gyártás dátumát a következőképpen kell meghatározni:

SN XXXXXXX XXXX XXXXXX XXXXX

a gyártás hónapja és éve

Ne törölje és ügyeljen a sorozatszám épségére az eszközön. A sorozatszámmal ellátott matrica elvesztése vagy megrongálása megakadályozza a gyártási dátum helyreállítását, ha szükséges

Importőr

Gyártó: CladSwiss AG,
Bahnhofstrasse 27, 6300 Zug, Svájc.
E-mail: info@cladswiss.com

A Kínai Népköztársaságban készült.

Az Electrolux egy bejegyzett védjegy, amelyet az AB Electrolux (publ.) engedélyével használnak. A gyártó fenntartja jogot arra, hogy változtasson az eszköz konstrukciójában és jellemzőiben.

Kezelési útmutató szövege és számai tartalmazhatnak technikai hibákat és tipográfiai hibákat. A választék és a műszaki adatok változásai előzetes értesítés nélkül megváltozhatnak.

A szövegekben és a numerikus jelölésekben vegengedettek a hibák és az elütések. Az eszköz kivitele és műszaki adatai eltérhetnek a csomagoláson szereplőktől. Kérjük, forduljon értékesítési tanácsadóhoz a részletesebb információ szerzés érdekében.

Az elektromos helyi fűtőberendezésekre vonatkozó információs követelmények					
Modell azonosító(k): Sport Line EOH/LT-07W EEC					
Kívánt	Szimbólum	Érték	Mérték egység	Kívánt	Mérték egység
Hőteljesítmény				Hőellátás típusa, csak elektromos tárolóval rendelkező helyi termoventilátortkhoz (válasszon ki egyet)	
Névleges hőteljesítmény	P_{nom}	1.5	kW	a hűtöltés kézi szabályozása beépített termosztáttal	IGEN
Minimális hőteljesítmény	P_{min}	0.6	kW	a hűtöltés kézi szabályozása visszajelzésével a beltéri és/vagy a kültéri hőmérsékletéről	NEM
Maximális folyamatos hőteljesítmény	$P_{max,c}$	1.5	kW	a hűtöltés elektronikus vezérlése beltéri és/vagy kültéri környezetben	NEM
Kiegészítő energiafogyasztás				hőteljesítmény a ventilátor segítségével	
Névleges hőteljesítmény mellett		$e_{l,max}$	N/A	kW	Hőelvezetés/szobahőmérséklet-szabályozás típusa (válasszon ki egyet)
Minimális hőteljesítmény mellett		$e_{l,min}$	N/A	kW	egyfokozatú hőelvezetés és szobahőmérséklet-szabályozás lehetőségének hiánya
Készletléti állapotban		$e_{l,sa}$	N/A	kW	két további kézi állapot szobahőmérséklet-szabályozás nélkül
				szobahőmérséklet-szabályozáshoz mechanikus termosztáttal	IGEN
				elektronikus szobahőmérséklet-szabályozással	NEM
				elektronikus szobahőmérséklet-szabályozás plusz nappali időzítővel	NEM
				elektronikus szobahőmérséklet-szabályozás plusz heti időzítő	NEM
Egyéb vezérlő lehetőségek (több lehetőség is lehetséges)					
				szobahőmérséklet-szabályozás jelenlét-érzékeléssel	NEM
				szobahőmérséklet-szabályozás, nyitott ablakkal	NEM
				távvezérlési funkcióval	NEM
				adaptív indításvezérléssel	NEM
				korlátozott munkaidővel	NEM
				izzó érzékelővel	NEM
Elérhetőség	Gyártó: CladSwiss AG, Bahnhofstrasse 27, 6300 Zug, Svájc. E-mail: info@cladswiss.com				

Az elektromos helyi fűtőberendezésekre vonatkozó információs követelmények					
Modell azonosító(k): Sport Line EOH/LT-09W EEC					
Kívánt	Szimbólum	Érték	Mérték egység	Kívánt	Mérték egység
Hőteljesítmény				Hőellátás típusa, csak elektromos tárolóval rendelkező helyi termoventilátortkhoz (válasszon ki egyet)	
Névleges hőteljesítmény	P_{nom}	2.0	kW	a hűtöltés kézi szabályozása beépített termosztáttal	IGEN
Minimális hőteljesítmény	P_{min}	0.8	kW	a hűtöltés kézi szabályozása visszajelzésével a beltéri és/vagy a kültéri hőmérsékletről	NEM
Maximális folyamatos hőteljesítmény	$P_{max,c}$	2.0	kW	a hűtöltés elektronikus vezérlése beltéri és/vagy kültéri környezetben	NEM
Kiegészítő energiafogyasztás				hőteljesítmény a ventilátor segítségével	
Névleges hőteljesítmény mellett		$e_{l_{max}}$	N/A	kW	Hőelvezetés/szobahőmérséklet-szabályozás típusa (válasszon ki egyet)
Minimális hőteljesítmény mellett		$e_{l_{min}}$	N/A	kW	egyfokozatú hőelvezetés és szobahőmérséklet-szabályozás lehetőségének hiánya
Készletléti állapotban		$e_{l_{sb}}$	N/A	kW	két további kézi állapot szobahőmérséklet-szabályozás nélkül
				szobahőmérséklet-szabályozáshoz mechanikus termosztáttal	IGEN
				elektronikus szobahőmérséklet-szabályozással	NEM
				elektronikus szobahőmérséklet-szabályozás plusz nappali időzítővel	NEM
				elektronikus szobahőmérséklet-szabályozás plusz heti időzítő	NEM
Egyéb vezérlő lehetőségek (több lehetőség is lehetséges)					
				szobahőmérséklet-szabályozás jelenlét-érzékeléssel	NEM
				szobahőmérséklet-szabályozás, nyitott ablakkal	NEM
				távvezérlési funkcióval	NEM
				adaptív indításvezérléssel	NEM
				korlátozott munkaidővel	NEM
				izzó érzékelővel	NEM
Elérhetőség	Gyártó: CladSwiss AG, Bahnhofstrasse 27, 6300 Zug, Svájc. E-mail: info@cladswiss.com				

Az elektromos helyi fűtőberendezésekre vonatkozó információs követelmények					
Modell azonosító(k): Sport Line EOH/LT-IIW EEC					
Kívánt	Szimbólum	Érték	Mérték egység	Kívánt	Mérték egység
Hőteljesítmény				Hőellátás típusa, csak elektromos tárolóval rendelkező helyi termoventilátortokhoz (válasszon ki egyet)	
Névleges hőteljesítmény	P_{nom}	2.2	kW	a hűtöltés kézi szabályozása beépített termosztáttal	IGEN
Minimális hőteljesítmény	P_{min}	1	kW	a hűtöltés kézi szabályozása visszajelzésével a beltéri és/vagy a kültéri hőmérsékletéről	NEM
Maximális folyamatos hőteljesítmény	$P_{max,c}$	2.2	kW	a hűtöltés elektronikus vezérlése beltéri és/vagy kültéri környezetben	NEM
Kiegészítő energiafogyasztás				hőteljesítmény a ventilátor segítségével	
Névleges hőteljesítmény mellett		$e_{l,max}$	N/A	kW	Hőelvezetés/szobahőmérséklet-szabályozás típusa (válasszon ki egyet)
Minimális hőteljesítmény mellett		$e_{l,min}$	N/A	kW	egyfokozatú hőelvezetés és szobahőmérséklet-szabályozás lehetőségének hiánya
Készenléti állapotban		$e_{l,SB}$	N/A	kW	két további kézi állapot szobahőmérséklet-szabályozás nélkül
				szobahőmérséklet-szabályozáshoz mechanikus termosztáttal	IGEN
				elektronikus szobahőmérséklet-szabályozással	NEM
				elektronikus szobahőmérséklet-szabályozás plusz nappali időzítővel	NEM
				elektronikus szobahőmérséklet-szabályozás plusz heti időzítő	NEM
Egyéb vezérlő lehetőségek (több lehetőség is lehetséges)					
				szobahőmérséklet-szabályozás jelenlét-érzékeléssel	NEM
				szobahőmérséklet-szabályozás, nyitott ablakkal	NEM
				távvezérlési funkcióval	NEM
				adaptív indításvezérléssel	NEM
				korlátozott munkaidővel	NEM
				izzó érzékelővel	NEM
Elérhetőség	Gyártó: CladSwiss AG, Bahnhofstrasse 27, 6300 Zug, Svájc. E-mail: info@cladswiss.com				

SADRŽAJ

1. UVOD.....	85
2. BEZBEDNOSNA PRAVILA.....	85
3. PRAVILA UGRADNJE.....	86
4. OPŠTI PREGLED UREĐAJA.....	86
5. KONTROLNA TABLA UREĐAJA.....	86
6. PRIPREMA ZA RAD.....	86
7. TEHNIČKI PODACI.....	87
8. KRATKO UPUTSTVO ZA RAD S UREĐAJEM.....	87
9. NEGA I ODRŽAVANJE.....	87
10. UKLANJANJE KVAROVA.....	88
11. KOMPLET UREĐAJA.....	88
12. SKLADIŠTENJE UREĐAJA.....	88
13. ODLAGANJE.....	88
14. GARANCIJA.....	88
15. DATUM PROIZVODNJE.....	88

MISLIMO O VASU

Hvala vam što ste kupili aparat Electrolux. Izabrali ste proizvod, podržan decenijama profesionalnog iskustva i inovacija. Jedinstven i elegantan, stvoren je uz brigu o vama. Stoga, kad god ga koristite, možete biti sigurni da će rezultati uvek biti odlični. Dobrodošli u Electrolux!

Na našoj veb stranici možete:



Pronađite preporuke proizvoda, upute za upotrebu, informacije o održavanju:
<http://www.home-comfort.com/support/>



Kupite proizvod u svom gradu:
<http://www.home-comfort.com/search/find-a-store/>



Tokom prodaje ovog uređaja, prodavač mora popuniti odeljak „Detalji o proizvodu“ koji se nalazi na unutrašnjoj strani zadnje korice ovog uputstva za upotrebu.



Korišteni simboli



Pažnja/Važne informacije sigurnosne



Generalni informacije i preporuke

Garantno servisiranje se vrši u skladu sa uslovima navedenim u odeljku „Garancija“.

Napomena:

U tekstu ovog uputstva, uljani grejač može imati takva tehnička imena kao što su uređaj, aparat itd.

Ovaj uređaj je pogodan samo za dobro izolovane prostorije ili povremenu upotrebu.

Uvod

Molimo pročitajte i strogo sledite zahteve sadržane u ovom uputstvu. Čuvajte uputstvo i dokumente koji potvrđuju datum kupovine uređaja na sigurnom mestu da biste ga mogli lako naći i koristiti u budućnosti.

Uređaj je namenjen za zagrevanje vazduha u domaćinstvima.

Bezbednosna pravila



Pažnja!

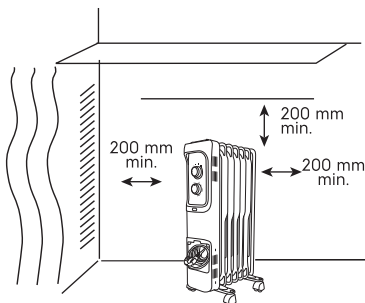
Nepridržavanje sledećih zahteva može dovesti do ozbiljne povrede ili teškog oštećenja opreme.

Pri korišćenju uređaja pridržavajte se opštih bezbednosnih pravila tokom korišćenja električnih uređaja. Nepridržavanje bezbednosnih uputstava i pravila može dovesti do strujnog udara, požara i/ili ozbiljnih povreda. Pre upotrebe uređaja pažljivo pročitajte sledeće mere predostrožnosti:

- Pre upotrebe grejača, pročitajte uputstvo i držite ga pri ruci.
- Koristite grejač samo na naponu navedenom u tabeli tehničkih podataka.
- Nemojte blokirati ili ograničavati protok vazduha kroz dovodnu i odvodnu rešetku kako biste izbegli pregrevanje i vatru.
- Ne postavljajte grejač u neposrednoj blizini bilo koje površine, to može dovesti do preklapanja rešetki i sprečavanja dovoda i odvoda vazduha.
- Ne postavljajte grejač u blizini grejnih uređaja.
- Ne koristite grejač na mestima gde se koriste ili skladište gorivo, boja ili druge zapaljive tečnosti.
- Ovaj aparat tokom upotrebe postaje vruć. Da biste izbegli opekotine, ne dirajte vruću površinu. Isključite aparat i ostavite ga da se ohladi pre nego što ga premestite na drugo mesto.
- Ne koristite grejač za sušenje odeće.
- Ne uranjajte uređaj u tečnost, pazite da u uređaj ne uđe tečnost jer to može dovesti do strujnog udara.
- Ne posegajte za uređajem ako padne u vodu. Odmah izvucite mrežni utikač.
- Nemojte koristiti grejač s oštećenjima i/ili oštećenim ili istrošenim mrežnim kablom.
- Mrežni kabl mora biti postavljen na takav način da se na njega ne stupa, da se ne abrazira, ne lomi, ne stvara petlje ili se na drugi način ne ošteti.
- Ne dirajte mokrim rukama grejač koji radi.
- Tokom čišćenja uređaja ne koristite abrazivne deterdžente. Očistite ga vlažnom krpom (ne mokrom) i vrućom vodom.
- Uvek isključite aparat iz napajanja pre čišćenja.
- Ne spajajte uređaj na izvor napajanja do potpune montaže i podešavanja.
- Ne koristite aparat u neposrednoj blizini kupatila, tuša ili drugog rezervoara sa tečnošću.
- Uređaj se mora koristiti u uspravnom položaju.
- Pre pomeranja isključite aparat i ostavite da se ohladi.
- Ne koristite aparat s uvijenim mrežnim kablom jer to može dovesti do pregravanja i/ili nesreće.
- Ne preporučuje se upotreba produžnog kabla.
- Ne isključujte utikač iz utičnice pre isključivanja uređaja.
- Kad uklanjate utikač iz utičnice, ne povlačite kabl - držite se za utikač.
- Ako se uređaj ne koristi, isključite ga iz mreže.
- Ovaj uređaj nije pogodan za upotrebu na tepisima sa dugim hrpama i na Flokati tepisima.
- Tokom upotrebe pazite da kabl ne dodiruje grejnu površinu.
- Ne sakrivajte kabl ispod tepiha, ne postavljajte na njega prostirke, tepihe itd. Namestite kabl tako da se ne spotaknete.
- Nemojte uvijati, savijati ili uvrtni kabl oko grejača jer to može uzrokovati abraziju i habanje izolacije. Proverite je li kabl izvučen do pune dužine.
- Uređaj ne koristite napolju i ne ostavljajte ga na vlažnom podu.
- Ne stavljajte uređaj na mesto njegovog skladištenja dok je još vruć.
- Ne dopustite deci da se igraju s uređajem.
- Uređaj se ne smije postavljati neposredno pored/ispod utičnice.
- Da biste sprečili pregrevanje, ne prekrivajte grejač.
- Oštećeni kabl za napajanje mora biti zamenjen od strane prodavca kako bi se izbegle nesreće.
- Da biste izbegli resetovanje toplotnog osigurača, ovaj uređaj ne smije se koristiti zajedno s pomoćnim uređajima za isključivanje. Takođe, uređaj ne smije biti spojen na krug koji često zatvara i otvara se.

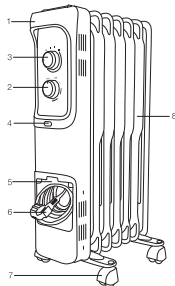
- Koristite ovaj uređaj samo za nameravanu svrhu u skladu s ovim uputstvom. Proizvođač ne preporučuje bilo kakvu drugu upotrebu koja može prouzrokovati požar, strujni udar ili nesreću.
- Ovaj uređaj služi samo za kućnu upotrebu, ne preporučuje se za industrijsku upotrebu.

Pravila ugradnje



Opšti pregled uređaja

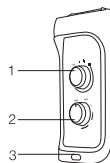
Opšti izgled



Sl. 1

1. Ručica za nošenje
2. Kontrolni termostat
3. Uključivanje/isključivanje uređaja, izbor radne snage
4. Indikacija rada uređaja
5. Prostor za skladištenje kabela za napajanje
6. Kabel napajanja
7. Noge sa točkovima
8. Kućište uređaja

Kontrolna tabla uređaja



Sl. 2

1. Gumb za izbor režima rada:
 OFF - isključivanje uređaja
 I - uključivanje grejača, izbor snage (EOH/LT-07W EEC - 600 W; EOH/LT-09W EEC - 800 W; EOH/LT-11W EEC - 1000 W)
 II - uključivanje grejača, izbor snage (EOH/LT-07W EEC - 900 W; EOH/LT-09W EEC - 1200 W; EOH/LT-11W EEC - 1500 W)
 III - izbor snage (EOH/LT-07W EEC - 1500 W; EOH/LT-09W EEC - 2000 W; EOH/LT-11W EEC - 2200 W)
2. Kontrolni termostat
3. Indikacija rada uređaja

Priprema za rad

- Izvadite uređaj iz ambalaže.
- Uverite se da je uređaj isključen.
- Učvrstite uređaj u stabilnom položaju prema uputstvu za montažu i ugradnju. Ostavite isključeni uređaj u uspravnom položaju 30 minuta pre nego što ga uključite.
- Ne preporučuje se koristiti istu električnu utičnicu za istovremeno spajanje ovog grejača i druge električne opreme velike snage da ne biste preopteretili električnu mrežu.

Tehnički podaci

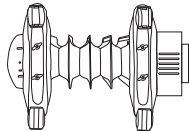
Parametar/Model	EOH/LT-07W EEC	EOH/LT-09W EEC	EOH/LT-11W EEC
Broj odeljaka	7	9	11
Snaga grejanja, W	1500/900/600	2000/1200/800	2200/1200/1000
Napajanje, V - Hz	220-240-50-60	220-240-50-60	220-240-50-60
Nazivna struja, A	6.8	9.1	10
Klasa električne zaštite	I klasa	I klasa	I klasa
Klasa zaštite od prašine i vlage, IP	IP20	IP20	IP20
Površina grejanja, m ² *	do 20	do 25	do 27
Veličina uređaja (Š×V×D), mm	250×650×360	250×650×440	250×650×520
Veličina pakovanja (Š×V×D), mm	415×705×140	495×705×140	575×705×140
Neto težina, kg	8.3	10.1	11.9
Bruto težina, kg	9.2	11.2	13.1

*Navedena vrednost je indikativna i može se razlikovati u zavisnosti od stvarnih radnih uslova. Proizvođač zadržava pravo unošenja izmena

Kratko uputstvo za rad s uređajem

Montaža uređaja

Uređaj se postavlja na noge za slobodno kretanje.



Sl. 3

Pričvršćivanje seta nogu se vrši na sledeći način:

- Grejač okrenite naopako (Sl. 3);
- Provcite traku potporne noge kroz držač;
- Drugi kraj trake pričvrstite maticom.

Uključivanje/izbor radne snage grejača

- Da biste isključili uređaj, okrenite donje dugme na kontrolnoj tabli sa desne strane, izaberite željenu snagu uređaja.

Podešavanje temperature

- Za podešavanje potrebne temperature grejanja i održavanje konstantne sobne temperature uključite uređaj punom snagom pomeranjem kontrolnog dugmeta termostata u položaj "max". Kada sobna temperature dosegne ugodan nivo za vas, polako okrećite dugme termostata ulevo dok ne čujete "klik". Na takav način će uređaj zapamtiti temperaturu koja vam

je ugodna i održavaće je automatskim uključivanjem i isključivanjem.

Isključivanje

- Za isključivanje grejača, okrenite dugme za izbor snage na položaj „OFF“. Uređaj se isključuje.

Funkcija zaštite od pregrevanja

- Grejač se automatski isključuje u slučaju pregrevanja.

Funkcija zaštite od prevrtanja

- Uređaj je opremljen automatskim prekidačem koji se uključuje ako uređaj odstupa od radnog položaja. Grejač se automatski isključuje.

Nega i održavanje

Uljani grejač ne zahteva posebno održavanje. Pre održavanja (nege) grejač mora biti isključen iz mreže.

Kućiste uređaja treba povremeno očistiti mekom krpom ili vlažnom spužvom. Nikad ne upotrebljavajte abrazive, sredstva za penjenje i rastvarače.

Uklanjanje kvarova

Znak kvara	Razlog kvara	Koraci za uklanjanje kvarova
Nema grejanja	1) Nepouzdana veza kabla za napajanje. 2) Grejač je isključen. 3) Stvarna sobna temperatura viša je od podešavanja termostata	1) Uspostavite pouzdanu vezu. 2) Stavite grejač u radni režim. 3) Podesite temperaturni režim grejača.

Komplet uređaja

- Grejač napunjen uljem
- Pričvršćivači
- Set nogu s točkovima
- Uputstvo za upotrebu

Skladištenje uređaja

Pre skladištenja, osigurajte da se grejač ohladi.

U slučaju da uređaj ne planirate da koristite duže vreme, preporučuje se čišćenje grejača i čuvanje (najbolje u originalnom pakovanju) na hladnom i suvom mestu.

Odlaganje



Uređaj s istekom vremena ne može se odlagati sa kućnim otpadom (2012/19/EU).

Garancija

Garantno servisiranje se vrši u skladu sa uslovima navedenim u odeljku „Garancija“.

Garancija:

- Garantni rok za predmet je dve godine od datuma kupovine. Ako se tokom ovog dvogodišnjeg garantnog roka pojave bilo kakve oštećenja zbog oštećenja materijala i/ili izrade, predmet treba popraviti ili zameniti.
- Besplatna popravka ili zamena moguća je samo u slučaju ako se pruže uverljivi dokazi, na primer štikaljka, koja potvrđuje da je dan kada se usluga traži, unutar garantnog roka.
- Garancija ne obuhvata proizvode i/ili delove proizvoda koji su podložni

propadanju, mogu se smatrati potrošnim zalihama ili napravljeni od stakla.

- Garancija je nevažeća ako je kvar nastao zbog oštećenja usled zloupotrebe, lošeg održavanja (na primer, do kvara usled prodora stranih predmeta ili tečnosti) ili ako su promene ili popravke izvršili lica koja nisu ovlašćena od strane proizvođača.
- Za pravilnu upotrebu proizvoda, korisnik se mora strogo pridržavati svih preporuka sadržanih u uputstvu za upotrebu i mora se suzdržati od bilo kakvih radnji ili manipulacija koje su opisane kao nepoželjne ili koje su naznačene u uputstvu za upotrebu.
- Ova ograničenja garancije ne utiču na vaša zakonom propisana prava.

Podrška:

Podrška tokom i posle garantnog roka dostupna je u svim zemljama u kojima se proizvod zvanično distribuira. Za pomoć se obratite prodavcu.

Datum proizvodnje

Datum proizvodnje naveden je na nalepnici na kućištu uređaja, a takođe je šifriran u kodu 128. Datum proizvodnje se utvrđuje na sledeći način:

SN XXXXXXX XXXX XXXXXX XXXXX

Mesec i godina proizvodnje

Ne uklanjajte i čuvajte serijski broj na kućištu uređaja. Ako se naljepnica sa serijskim brojem izgubi ili ošteti, neće biti moguće vratiti datum proizvodnje ako je potrebno.

Uvoznik:

Proizvođač: CladSviss AG,
Bahnhofstrasse 27, 6300 Zug, Švajcarska.
E-mail: info@cladsviss.com

Proizvedeno u NRK.

Electrolux je registrovani zaštitni znak koji se koristi pod licencom AB Electrolux (publ.).

Proizvođač zadržava pravo da izmeni dizajn i karakteristike uređaja.

Ovaj priručnik može sadržati tehničke greške i greške prilikom kucanja. Promjene tehničkih karakteristika i asortimana mogu se promijeniti bez prethodne najave.

Mogu biti pogrešni otisci u tekstovima i brojevima.

Dizajn i tehnički podaci uređaja mogu da se razlikuju od prikazanih na pakovanju. Za više detalja kontaktirajte svog prodajnog konsultanta.

Zahtevi za informacije o lokalnim električnim grejačima					
Identifikator(i) modela: Sport Line EOH/LT-07W EEC					
Naziv	Symbol	Veličina	Jedinica	Naziv	Jedinica
Toplotna snaga			Tip unosa topline, samo za lokalni električne grejače (odaberite jedan)		
Nominalna toplotna snaga	P_{nom}	1.5	kW	ručna kontrola naelektrisanja, sa integrisanim termostatom	DA
Minimalna toplotna snaga (indikativno)	P_{min}	0.6	kW	ručna kontrola toplotnog naboja sa povratnim informacijama o sobi i/ili spoljnoj temperaturi	NJE
Maksimalni kontinuirani toplotni učinak	$P_{max,c}$	1.5	kW	elektronsko upravljanje toplotnim nabojem sa prostorijama i/ili spolja	NJE
Pomoćna potrošnja električne energije			toplotna snaga uz pomoć ventilatora		
Sa nominalnom toplotnom snagom	$e_{l,max}$	N/A	kW	Tip izlazne toplote/sobne temperature (odaberite jednu)	
Sa minimalnom toplotnom snagom	$e_{l,min}$	N/A	kW	jednostupanska toplotna snaga i bez kontrole sobne temperature	NJE
U stanju pripravnosti	$e_{l,SB}$	N/A	kW	dve ili još ručne faze, bez kontrole sobne temperature	NJE
				sa mehaničkim regulatorom sobne temperature	DA
				sa elektronskom kontrolom sobne temperature	NJE
				elektronska kontrola temperature u sobi plus dnevni tajmer	NJE
				elektronska kontrola temperature u sobi plus nedeljni tajmer	NJE
Ostale mogućnosti upravljanja (moguće je višestruki izbor)					
				sobna kontrola temperature, sa detekcijom prisustva	NJE
				sobna kontrola temperature sa detekcijom otvorenog prozora	NJE
				sa opcijom za kontrolu daljine	NJE
				sa adaptivnom kontrolom starta	NJE
				sa ograničenjem radnog vremena	NJE
				sa senzorom žarulje	NJE
Kontakt detalji	Proizvođač: CladSviss AG, Bahnhofstrasse 27, 6300 Zug, Švajcarska. E-mail: info@cladsviss.com				

Zahtevi za informacije o lokalnim električnim grejačima					
Identifikator(i) modela: Sport Line EOH/LT-09W EEC					
Naziv	Symbol	Veličina	Jedinica	Naziv	Jedinica
Toplotna snaga			Tip unosa topline, samo za lokalni električne grejače (odaberite jedan)		
Nominalna toplotna snaga	P_{nom}	2.0	kW	ručna kontrola naelektrisanja, sa integrisanim termostatom	DA
Minimalna toplotna snaga (indikativno)	P_{min}	0.8	kW	ručna kontrola toplotnog naboja sa povratnim informacijama o sobi i/ili spoljnoj temperaturi	NJE
Maksimalni kontinuirani toplotni učinak	$P_{max,c}$	2.0	kW	elektronsko upravljanje toplotnim nabojem sa prostorijama i/ili spolja	NJE
Pomoćna potrošnja električne energije			toplotna snaga uz pomoć ventilatora		NJE
Sa nominalnom toplotnom snagom	$e_{l,max}$	N/A	kW	Tip izlazne toplote/sobne temperature (odaberite jednu)	
Sa minimalnom toplotnom snagom	$e_{l,min}$	N/A	kW	jednostupanska toplotna snaga i bez kontrole sobne temperature	NJE
U stanju pripravnosti	$e_{l,SB}$	N/A	kW	dve ili još ručne faze, bez kontrole sobne temperature	NJE
				sa mehaničkim regulatorom sobne temperature	DA
				sa elektronskom kontrolom sobne temperature	NJE
				elektronska kontrola temperature u sobi plus dnevni tajmer	NJE
				elektronska kontrola temperature u sobi plus nedeljni tajmer	NJE
Ostale mogućnosti upravljanja (moguće je višestruki izbor)					
				sobna kontrola temperature, sa detekcijom prisustva	NJE
				sobna kontrola temperature sa detekcijom otvorenog prozora	NJE
				sa opcijom za kontrolu daljine	NJE
				sa adaptivnom kontrolom starta	NJE
				sa ograničenjem radnog vremena	NJE
				sa senzorom žarulje	NJE
Kontakt detalji	Proizvođač: CladSviss AG, Bahnhofstrasse 27, 6300 Zug, Švajcarska. E-mail: info@cladsviss.com				

Zahtevi za informacije o lokalnim električnim grejačima					
Identifikator(i) modela: Sport Line EOH/LT-11W EEC					
Naziv	Symbol	Veličina	Jedinica	Naziv	Jedinica
Toplotna snaga			Tip unosa topline, samo za lokalni električne grejače (odaberite jedan)		
Nominalna toplotna snaga	P_{nom}	2.2	kW	ručna kontrola naelektrisanja, sa integrisanim termostatom	DA
Minimalna toplotna snaga (indikativno)	P_{min}	1	kW	ručna kontrola toplotnog naboja sa povratnim informacijama o sobi i/ili spoljnoj temperaturi	NJE
Maksimalni kontinuirani toplotni učinak	$P_{max,c}$	2.2	kW	elektronsko upravljanje toplotnim nabojem sa prostorijama i/ili spolja	NJE
Pomoćna potrošnja električne energije			toplotna snaga uz pomoć ventilatora		
Sa nominalnom toplotnom snagom	$e_{l,max}$	N/A	kW	Tip izlazne toplote/sobne temperature (odaberite jednu)	
Sa minimalnom toplotnom snagom	$e_{l,min}$	N/A	kW	jednostupanska toplotna snaga i bez kontrole sobne temperature	NJE
U stanju pripravnosti	$e_{l,SB}$	N/A	kW	dve ili još ručne faze, bez kontrole sobne temperature	NJE
				sa mehaničkim regulatorom sobne temperature	DA
				sa elektronskom kontrolom sobne temperature	NJE
				elektronska kontrola temperature u sobi plus dnevni tajmer	NJE
				elektronska kontrola temperature u sobi plus nedeljni tajmer	NJE
Ostale mogućnosti upravljanja (moguće je višestruki izbor)					
				sobna kontrola temperature, sa detekcijom prisustva	NJE
				sobna kontrola temperature sa detekcijom otvorenog prozora	NJE
				sa opcijom za kontrolu daljine	NJE
				sa adaptivnom kontrolom starta	NJE
				sa ograničenjem radnog vremena	NJE
				sa senzorom žarulje	NJE
Kontakt detalji	Proizvođač: CladSviss AG, Bahnhofstrasse 27, 6300 Zug, Švajcarska. E-mail: info@cladsviss.com				

SADRŽAJ

1. UVOD.....	95
2. SIGURNOSNI PROPISI.....	95
3. PROPISI UGRADNJE.....	96
4. OPĆENITI PRIKAZ UREĐAJA.....	96
5. UPRAVLJAČKA PLOČA UREĐAJA.....	96
6. PRIPREMA ZA RAD.....	96
7. TEHNIČKI PODACI.....	97
8. KRATKE UPUTE ZA RAD S UREĐAJEM.....	97
9. NJEGA I ODRŽAVANJE.....	98
10. UKLANJANJE KVAROVA.....	98
11. SET.....	98
12. SKLADIŠTENJE UREĐAJA.....	98
13. ODLAGANJE.....	98
14. JAMSTVENE OBVEZE.....	98
15. DATUM PROIZVODNJE.....	98

MISLIMO O VAMA

Hvala vam što ste kupili uređaj Electrolux. Odabrali ste proizvod koji je podržan desetljećima profesionalnog iskustva i inovacija. Jedinstven i elegantan, dizajniran je s vama na umu. Stoga, kad god ga koristite, možete biti sigurni da će rezultati uvijek biti izvrsni. Dobrodošli u Electrolux!

Na našoj web stranici možete:



Pronaći preporuke za korištenje proizvoda, upute za uporabu, informacije o održavanju: <http://www.home-comfort.com/support/>



Kupiti proizvod u vašem gradu:
<http://www.home-comfort.com/search/find-a-store/>



Prilikom prodaje uređaja prodavač mora ispuniti odjeljak "Product details", koji se nalazi na unutarnjoj strani stražnje korice ovih uputa za uporabu.



Korišteni simboli



Upozorenje/Važne sigurnosne informacijeosti



Opće informacije i preporuke

Jamstveno servisiranje vrši se u skladu s uvjetima navedenim u odjeljku "Jamstvene obveze"

Bilješka:

U tekstu ovih uputa, uljni grijач može imati takva tehnička imena kao što su uređaj, aparat itd.

Ovaj je uređaj prikladan samo za dobro izolirane prostorije ili povremenu upotrebu.

Uvod

Molimo pročitajte i strogo slijedite zahtjeve sadržane u ovim uputama za uporabu. Čuvajte ove upute i dokumente koji potvrđuju datum kupnje uređaja na sigurnom mjestu za njihovo lakše pretraživanje i korištenje u budućnosti.

Uređaj je namijenjen za zagrijavanje zraka u prostorijama domaćinstva.

Sigurnosni propisi



Upozorenje!

Nepridržavanje sljedećih zahtjeva može dovesti do ozbiljne ozljede ili teškog oštećenja opreme.

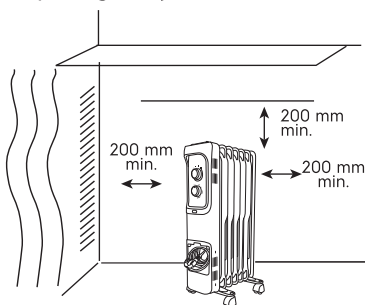
Pri korištenju uređaja pridržavajte se općih sigurnosnih propisa tijekom korištenja električnih uređaja. Nepridržavanje sigurnosnih uputa i propisa može dovesti do strujnog udara, požara i/ili ozbiljnih ozljeda.

- Prije uporabe uređaja pažljivo pročitajte sljedeće mjere opreza:
- Prije upotrebe grijača, pročitajte upute i držite ih pri ruci.
- Koristite grijač samo na naponu navedenom u tablici tehničkih podataka.
- Nemojte blokirati ili ograničavati strujanje zraka kroz usisnu i izlaznu rešetku kako biste izbjegli pregrijavanje i vatru.
- Ne postavljajte grijač u neposrednoj blizini bilo koje površine, to može dovesti do preklapanja rešetki i prepreka usisu i ispuhu zraka.
- Ne postavljajte grijač u blizini grijaćih uređaja.
- Ne koristite grijač na mjestima gdje se koriste ili skladište gorivo, boja ili druge zapaljive tekućine.
- Ovaj aparat tijekom upotrebe postaje vruć. Da biste izbjegli opekline, ne dirajte vruću površinu. Isključite aparat i ostavite ga da se ohladi prije nego što ga premjestite na drugo mjesto.
- Ne koristite grijač za sušenje odjeće.
- Ne uranjajte uređaj u tekućinu, pobrinite se da u uređaj ne uđe tekućina jer to može rezultirati strujnim udarom.
- Ne posegните za uređajem ako padne u vodu. Odmah izvucite mrežni utikač.
- Nemojte koristiti grijač s oštećenjima i/ili oštećenim ili pohabanim mrežnim kablom.
- Mrežni kabel mora biti postavljen na takav način da se na njega ne stupa, da se ne abrazira, ne lomi, ne formira petlje ili se na drugi način ne ošteti.
- Ne dirajte mokrim rukama grijač koji radi.
- Tijekom čišćenja uređaja ne koristite abrazivne deterdžente. Očistite ga vlažnom krpom (ne

mokrom) i vrućom vodom.

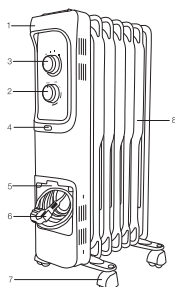
- Uvijek isključite aparat iz napajanja prije čišćenja.
- Ne spajajte uređaj na izvor napajanja do potpune montaže i podešavanja.
- Ne koristite aparat u neposrednoj blizini kupelji, tuša ili drugog spremnika s tekućinom.
- Uređaj se mora koristiti u uspravnom položaju.
- Prije pomicanja isključite aparat i ostavite da se ohladi.
- Ne koristite aparat s uvijenim mrežnim kablom jer to može rezultirati pregrijavanjem i/ili nezgodama.
- Ne preporučuje se upotreba produžnog kabela.
- Ne isključujte utikač iz utičnice prije isključivanja uređaja.
- Kad uklanjate utikač iz utičnice, ne povlačite kabel - držite se za utikač.
- Ako se uređaj ne koristi, odspojite ga iz mreže.
- Ovaj uređaj nije prikladan za uporabu na tepisima sa dugim hrapama i na Flokati tepisima.
- Tijekom uporabe pazite da kabel ne dodiruje grijanu površinu.
- Ne skrivajte kabel ispod tepiha, ne postavljajte na njega prostirke, tepihe itd. Namjestite kabel tako da se ne spotaknete.
- Nemojte uvijati, savijati ili uvrtati kabel oko grijača jer to može uzrokovati abraziju i habanje izolacije. Provjerite je li kabel izvučen do pune duljine.
- Uređaj ne koristite vani i ne ostavljajte ga na vlažnom podu.
- Ne stavljajte uređaj na mjesto njegovog skladištenja dok je još vruć.
- Ne dopustite djeci da se igraju s uređajem.
- Uređaj se ne smije postavljati neposredno uz/ispod utičnice.
- Da biste spriječili pregrijavanje, ne prekrivajte grijač.
- Oštećeni kabel za napajanje mora biti zamijenjen od strane prodavača kako bi se izbjegle nezgode.
- Da biste izbjegli resetiranje toplinskog osigurača, ovaj uređaj ne smije se koristiti zajedno s pomoćnim uređajima za isključivanje. Također, uređaj ne smije biti spojen na krug koji često zatvara i otvara se.
- Koristite ovaj uređaj samo za namjeravanu svrhu u skladu s ovim uputama. Proizvođač ne preporučuje bilo kakvu drugu uporabu koja može prouzrokovati požar, strujni udar ili nesreću.
- Ovaj uređaj služi samo za kućnu uporabu, ne preporučuje se za industrijsku uporabu.

Propisi ugradnje



Općeniti prikaz uređaja

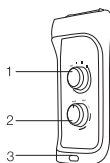
Opći izgled



Sl. 1

1. Ručica za nošenje
2. Upravljački termostat
3. Uključivanje/isključivanje uređaja, odabir radne snage
4. Indikacija rada uređaja
5. Prostor za pohranu kabela za napajanje
6. Kabel napajanja
7. Noge s kotačićima
8. Kucište uređaja

Upravljačka ploča uređaja



Sl. 2

1. Tipke za odabir načina rada:
 - OFF - isključivanje uređaja
 - I – uključivanje grijača, odabir snage (EOH/LT-07W EEC – 600 W; EOH/LT-09W EEC – 800 W; EOH/LT-11W EEC – 1000 W)
 - II – uključivanje grijača, odabir snage (EOH/LT-07W EEC – 900 W; EOH/LT-09W EEC – 1200 W; EOH/LT-11W EEC – 1500 W)
 - III – izbor snage (EOH/LT-07W EEC – 1500 W; EOH/LT-09W EEC – 2000 W; EOH/LT-11W EEC – 2200 W)
2. Upravljački termostat
3. Indikacija rada uređaja

Priprema za rad

- Izvadite uređaj iz ambalaže.
- Uvjerite se da je uređaj isključen.
- Učvrstite uređaj u stabilnom položaju prema uputama za montažu i ugradnju. Ostavite isključeni uređaj u uspravnom položaju 30 minuta prije nego što ga uključite.
- Ne preporučuje se koristiti istu električnu utičnicu za istovremeno spajanje ovog grijača i druge električne opreme velike snage da ne biste preopteretili električnu mrežu.

Tehnički podaci

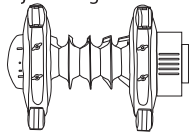
Parametar/Model	EOH/LT-07W EEC	EOH/LT-09W EEC	EOH/LT-11W EEC
Broj odjeljaka	7	9	11
Snaga grijanja, W	1500/900/600	2000/1200/800	2200/1200/1000
Napajanje, V - Hz	220-240-50-60	220-240-50-60	220-240-50-60
Nazivna struja, A	6,8	9,1	10
Klasa električne zaštite	I klasa	I klasa	I klasa
Klasa zaštite od prašine i vlage, IP	IP20	IP20	IP20
Površina grijanja, m ² *	do 20	do 25	do 27
Veličina uređaja (Š×V×D), mm	250×650×360	250×650×440	250×650×520
Veličina pakiranja (Š×V×D), mm	415×705×140	495×705×140	575×705×140
Neto težina, kg	8,3	10,1	11,9
Bruto težina, kg	9,2	11,2	13,1

*Navedena vrijednost je indikativna i može se razlikovati ovisno o stvarnim radnim uvjetima. Proizvođač zadržava pravo unošenja izmjena

Kratke upute za rad s uređajem

Ugradnja uređaja

Uređaj se postavlja na noge za slobodno kretanje.



Sl. 3

Pričvršćivanje seta nogu se vrši na sljedeći način:

- Grijač okrenite naopako (Sl. 3);
- Provucite traku potporne noge kroz držač;
- Drugi kraj trake pričvrstite maticom.

Uključivanje/odabir radne snage grijača

- Za uključivanje uređaja, uključite donji regulator na upravljačkoj ploči na desnoj strani, odaberite željenu snagu uređaja.

Postavljanje temperature

- Za podešavanje tražene temperature grijanja i održavanje stalne sobne temperature, uključite uređaj punom snagom pomicanjem regulatora za upravljanje termostata u položaj «max». Kada temperatura u prostoriji dosegne udobnu razinu za vas, polako okrenite regulator termostata ulijevo dok se ne čuje "klik". Tako će uređaj zapamtiti temperaturu koja vam je ugodna i održavat će je automatskim uključivanjem i isključivanjem

Isključivanje

- Za isključivanje grijača, okrenite regulator snage na položaj „OFF“. Uređaj se isključuje.

Funkcija zaštite od pregrijavanja

- Grijač se automatski isključuje u slučaju pregrijavanja.

Funkcija zaštite od prevrtanja

- Uređaj je opremljen automatskim prekidačem koji se uključuje ako uređaj odstupa od radnog položaja. Grijač se automatski isključuje.

Njega i održavanje

Uljni grijač ne zahtijeva posebno održavanje. Prije održavanja (njege) grijač mora biti isključen iz mreže.

Kućište uređaja treba povremeno očistiti mekom krpom ili vlažnom spužvom. Nikad ne upotrebljavajte abrazive, sredstva za pjenjenje i otapala.

Uklanjanje kvarova

Znak kvara	Razlog kvara	Koraci za uklanjanje kvarova
Нет нагрева	1) Nepouzdana veza kabela za napajanje. 2) Grijač je isključen. 3) Stvarna sobna temperatura viša je od postavke termostata.	1) Uspostavite pouzdanu vezu. 2) Stavite grijač u radni režim. 3) Podesite temperaturni režim grijača.

Set

- Grijač napunjen uljem
- Pričvršćivači
- Set nogu s kotačićima.
- Upute za uporabu

Skladištenje uređaja

Provjerite je li grijač hladan prije nego što ga pohranite. Preporučuje se očistiti grijač i pohraniti ga (po mogućnosti u originalnom pakiranju) na hladnom i suhom mjestu ako uređaj ne namjeravate koristiti dulje vrijeme.

Odlaganje



Stari uređaj ne smije se odlagati s kućnim otpadom (2012/19/EU).

Jamstvene obveze

Jamstveno servisiranje vrši se u skladu s uvjetima navedenim u odjeljku "Jamstvene obveze"

Jamstvo:

- Jamstveni rok za proizvod iznosi dvije godine od datuma kupnje. Ako se tijekom ovog dvogodišnjeg jamstvenog roka pojave bilo kakvi defekti zbog nedostataka materijala i/ili izrade, proizvod će se popraviti ili zamijeniti.
- Besplatni popravak ili zamjena mogući su samo ako su osigurani uvjerljivi dokazi, na primjer pomoću priznanice kojom se potvrđuje da je dan u koji se traži servisiranje, u okviru jamstvenog roka.
- Jamstvo ne obuhvata proizvode i/ili dijelove proizvoda koji su podložni

habanju, a koji se po svojoj prirodi mogu smatrati potrošnim materijalom ili koji su izrađeni od stakla.

- Jamstvo je nevažeće ako je kvar nastao štetom uzrokovanom nepropisnom uporabom, lošim održavanjem (na primjer, zbog kvara uzrokovanog ulaskom stranih predmeta ili tekućine u proizvod) ili ako su izmjene ili popravke izvršile osobe koje nisu ovlaštene od strane Proizvođača.
- Za ispravnu uporabu proizvoda, korisnik se mora strogo pridržavati svih preporuka sadržanih u uputama za uporabu i mora se suzdržati od bilo kakvih radnji ili manipulacija koje su opisane kao nepoželjne ili koje su naznačene u uputama za uporabu.
- Ova ograničenja jamstva ne utječu na vaša zakonom propisana prava.

Potpora:

Potpورا tijekom i nakon jamstvenog roka dostupna je u svim zemljama u kojima se proizvod službeno distribuira. Za pomoć se obratite prodavaču.

Datum proizvodnje

Datum proizvodnje naveden je na naljepnici na kućištu uređaja, a također je šifriran u Code-128.

Datum proizvodnje se određuje na sljedeći način:

SN XXXXXXX XXXX XXXXXX XXXXX

mjesec i godina proizvodnje

Ne brišite i pazite serijski broj na uređaju. Gubitak ili oštećenje naljepnice serijskog broja spriječit će vraćanje datuma proizvodnje ako je potrebno.

Uvoznik:

Proizvođač: CladSwiss AG,
Bahnhofstrasse 27, 6300 Zug, Švicarska.
E-mail: info@cladswiss.com

Proizvedeno u NRK.

Electrolux je registrovani zaštitni znak koji se koristi pod licencom AB Electrolux (publ.).

Proizvođač zadržava pravo izmjene konstrukcije i karakteristika uređaja.

Tekst i brojčane oznake uputa mogu sadržavati tehničke i tipografske pogreške. Promjene u specifikacijama i asortimanu se mogu proizvesti bez prethodne najave.

Mogu naići pogreške i zatipci u tekstovima i brojevima.

Dizajn i tehnički podaci uređaja mogu se razlikovati od prikazanih na pakiranju. Za više pojedinosti obratite se prodajnom savjetniku.

Podaci o zahtjevima za električne lokalne grijače					
Oznake modela: Sport Line EO/H/LT-07W EEC					
Potrebno je	Simbol	Vrijednost	Mjerna jedinica	Potrebno je	Mjerna jedinica
Toplinska snaga				Način isporuke topline, samo za lokalne grijače s električnim spremnikom (odaberite jedan)	
Nazivna toplinska snaga	P_{nom}	1.5	kW	ručna regulacija termičkog punjenja, s ugrađenim termostatom	DA
Minimalna toplinska snaga (indikativno)	P_{min}	0.6	kW	ručna regulacija toplinskog punjenja s povratnim informacijama o unutarnoj i/ili vanjskoj temperaturi	NE
Maksimalna kontinuirana toplinska snaga	$P_{max,c}$	1.5	kW	elektronička kontrola punjenja topline u prostoriji i/ili vani	NE
Pomoćna potrošnja energije				toplinska snaga pomoću ventilatora	
Pri nazivnoj toplinskoj snazi	$e_{l,max}$	Nije dostupno	kW	Vrsta emitiranja topline/regulacije sobne temperature (odaberite jednu)	
Pri minimalnom emitiranju topline	$e_{l,min}$	Nije dostupno	kW	jednostupanjsko emitiranje topline i bez kontrole sobne temperature	NE
U stanju čekanja	$e_{l,SB}$	Nije dostupno	kW	još dva ručna stanja bez kontrole sobne temperature	NE
				s mehaničkim termostatom za kontrolu sobne temperature	DA
				s elektroničkom kontrolom sobne temperature	NE
				elektronička kontrola sobne temperature plus dnevni tajmer	NE
				elektronička kontrola sobne temperature plus tjedni tajmer	NE
Ostale opcije upravljanja (moguće su nekoliko opcija)					
				kontrola sobne temperature uz otkrivanje prisutnosti	NE
				kontrola sobne temperature, sa otvorenim prozorom	NE
				s opcijom daljinskog upravljanja	NE
				s prilagodljivom kontrolom pokretanja rada	NE
				uz ograničenje radnog vremena	NE
				sa senzorom žarulje	NE
Podaci za kontakt	Proizvođač: CladSviss AG, Bahnhofstrasse 27, 6300 Zug, Švajcarska. E-mail: info@cladsviss.com				

Podaci o zahtjevima za električne lokalne grijače					
Oznake modela: Sport Line EOH/LT-09W EEC					
Potrebno je	Simbol	Vrijednost	Mjerna jedinica	Potrebno je	Mjerna jedinica
Toplinska snaga				Način isporuke topline, samo za lokalne grijače s električnim spremnikom (odaberite jedan)	
Nazivna toplinska snaga	P_{nom}	2.0	kW	ručna regulacija termičkog punjenja, s ugrađenim termostatom	DA
Minimalna toplinska snaga (indikativno)	P_{min}	0.8	kW	ručna regulacija toplinskog punjenja s povratnim informacijama o unutarnjoj i/ili vanjskoj temperaturi	NE
Maksimalna kontinuirana toplinska snaga	$P_{max,c}$	2.0	kW	elektronička kontrola punjenja topline u prostoriji i/ili vani	NE
Pomoćna potrošnja energije				toplinska snaga pomoću ventilatora	
Pri nazivnoj toplinskoj snazi	$e_{l,max}$	Nije dostupno	kW	Vrsta emitiranja topline/regulacije sobne temperature (odaberite jednu)	
Pri minimalnom emitiranju topline	$e_{l,min}$	Nije dostupno	kW	jednostupanjsko emitiranje topline i bez kontrole sobne temperature	NE
U stanju čekanja	$e_{l,SB}$	Nije dostupno	kW	još dva ručna stanja bez kontrole sobne temperature	NE
				s mehaničkim termostatom za kontrolu sobne temperature	DA
				s elektroničkom kontrolom sobne temperature	NE
				elektronička kontrola sobne temperature plus dnevni tajmer	NE
				elektronička kontrola sobne temperature plus tjedni tajmer	NE
Ostale opcije upravljanja (moguće su nekoliko opcija)					
				kontrola sobne temperature uz otkrivanje prisutnosti	NE
				kontrola sobne temperature, sa otvorenim prozorom	NE
				s opcijom daljinskog upravljanja	NE
				s prilagodljivom kontrolom pokretanja rada	NE
				uz ograničenje radnog vremena	NE
				sa senzorom žarulje	NE
Podaci za kontakt	Proizvođač: CladSviss AG, Bahnhofstrasse 27, 6300 Zug, Švajcarska. E-mail: info@cladsviss.com				

Podaci o zahtjevima za električne lokalne grijače					
Oznake modela: Sport Line EOH/LT-IIW EEC					
Potrebno je	Simbol	Vrijednost	Mjerna jedinica	Potrebno je	Mjerna jedinica
Toplinska snaga			Način isporuke topline, samo za lokalne grijače s električnim spremnikom (odaberite jedan)		
Nazivna toplinska snaga	P_{nom}	2.2	kW	ručna regulacija termičkog punjenja, s ugrađenim termostatom	DA
Minimalna toplinska snaga (indikativno)	P_{min}	1	kW	ručna regulacija toplinskog punjenja s povratnim informacijama o unutarnjoj i/ili vanjskoj temperaturi	NE
Maksimalna kontinuirana toplinska snaga	$P_{max,c}$	2.2	kW	elektronička kontrola punjenja topline u prostoriji i/ili vani	NE
Pomoćna potrošnja energije			toplinska snaga pomoću ventilatora		
Pri nazivnoj toplinskoj snazi	$e_{l,max}$	Nije dostupno	kW	Vrsta emitiranja topline/regulacije sobne temperature (odaberite jednu)	
Pri minimalnom emitiranju topline	$e_{l,min}$	Nije dostupno	kW	jednostupanjsko emitiranje topline i bez kontrole sobne temperature	NE
U stanju čekanja	$e_{l,SB}$	Nije dostupno	kW	još dva ručna stanja bez kontrole sobne temperature	NE
				s mehaničkim termostatom za kontrolu sobne temperature	DA
				s elektroničkom kontrolom sobne temperature	NE
				elektronička kontrola sobne temperature plus dnevni tajmer	NE
				elektronička kontrola sobne temperature plus tjedni tajmer	NE
				Ostale opcije upravljanja (moguće su nekoliko opcija)	
				kontrola sobne temperature uz otkrivanje prisutnosti	NE
				kontrola sobne temperature, sa otvorenim prozorom	NE
				s opcijom daljinskog upravljanja	NE
				s prilagodljivom kontrolom pokretanja rada	NE
				uz ograničenje radnog vremena	NE
				sa senzorom žarulje	NE
Podaci za kontakt	Proizvođač: CladSviss AG, Bahnhofstrasse 27, 6300 Zug, Švajcarska. E-mail: info@cladsviss.com				

VSEBINO

1. UVOD.....	105
2. VARNOSTNI PREDPISI.....	105
3. PRAVILA ZA NAMESTITEV.....	106
4. PREGLED NAPRAVE.....	106
5. NADZORNA PLOŠČA INSTRUMENTA.....	106
6. PRIPRAVA NA DELO.....	106
7. TEHNIČNE ZNAČILNOSTI.....	107
8. HITRI VODNIK ZA ZAČETEK.....	107
9. NEGA IN VZDRŽEVANJE.....	107
10. ISKANJE PROBLEMOV.....	108
11. NABOR.....	108
12. SHRANJEVANJE NAPRAVE.....	108
13. ODLAGANJE.....	108
14. GARANCIJSKE OBVEZNOSTI.....	108
15. DATUM IZDELAVE.....	108

MISLIMO NA VAS

Hvala, da ste se odločili za nakup naprave Electrolux. Izbrali ste izdelek, ki je izdelan na podlagi desetletne strokovne izkušnje in inovacij. Edinstven in eleganten izdelek je bil skrbno izdelan za vas. Kjerkoli ga boste uporabili, ste lahko prepričani, da je rezultat vedno vrhunski. Dobrodošli v Electrolux!

Na naši spletni strani lahko:

Na naši spletni strani lahko poiščete priporočila za uporabo izdelkov, navodila za uporabo, podatki o tehnični podpori:
<http://www.home-comfort.com/support/>



Kupiti izdelek v svojem mestu:
<http://www.home-comfort.com/search/find-a-store/>



Pri prodaji naprave mora prodajalec izpolniti razdelek "Product details", na notranji strani zadnjega pokrova teh navodil za uporabo.

**Uporabljeni simboli**

Pozor/Pomembne varnostne informacije



Splošne informacije in priporočila

Garancijsko vzdrževanje se izvaja pod pogoji iz razdelka "Garancijske obveznosti"

Opomba:

V besedilu tega priročnika ima lahko grelec za olje takšna tehnična imena, kot so naprava, izdelek, apparatus itd.

Ta aparat je primeren samo za dobro izolirane prostore ali občasno uporabo.

Uvod

Prosimo, preberite in dosledno upoštevajte zahteve iz teh navodil za uporabo. Navodila in dokumente, ki potrjujejo datum nakupa naprave, hranite na varnem mestu, da jih boste v prihodnosti zlahka našli in uporabili.

Naprava je namenjena ogrevanju zraka v gospodinjstvih prostorih.

Varnostni predpisi



Pozor!

Zahteve, ki v primeru neupoštevanja lahko povzročijo resne poškodbe ali resne poškodbe opreme.

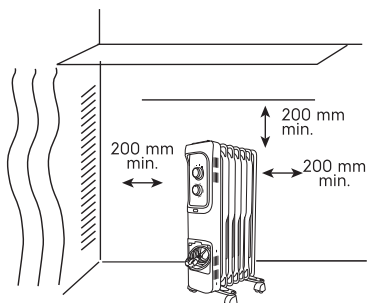
Pri uporabi naprave upoštevajte splošna varnostna pravila pri uporabi električnih naprav. Če ne upoštevate varnostnih navodil in navodil, lahko pride do električnega udara, požara in/ali hudih telesnih poškodb.

Pred uporabo naprave natančno preberite naslednje varnostne ukrepe:

- Pred uporabo grelca preberite priročnik in ga imejte pri roki.
- Uporabljajte grelec samo pri napetosti, ki je navedena na nalepki naprave.
- Ne preprečujte ali ne omejujte pretoka zraka skozi rešetke za dovod in odtok, da se izognete pregrevanju in požaru.
- Ne postavljajte grelca v bližino katere koli površine, ker lahko to povzroči prekrivanje rešetk in oviran dovod in izpust zraka.
- Ne postavljajte grelca v bližino grelnih naprav.
- Ne uporabljajte grelca na območjih, kjer uporabljate ali skladiščite gorivo, barvo ali druge vnetljive tekočine.
- Ta naprava med uporabo postane vroča. Da se izognete opeklinam, se ne dotikajte vroče površine. Izklopite aparat in ga pustite, da se ohladi, preden ga premaknete na drugo mesto.
- Ne uporabljajte grelnika za sušenje oblačil.
- Naprave ne potopite v tekočino, pazite, da v napravi ne pride tekočina, lahko pride do električnega udara.
- Če naprave padete v vodo, ne doseгаjte naprave. Takoj odstranite vtič iz vtičnice.
- Ne uporabljajte grelca s poškodovanim in/ali poškodovanim ali polomljenim napajalnim kablom.
- Napajalni kabel mora biti nameščen tako, da se nanj ne stopi, da se ne bo odrgnil, raztrgal, zanko ali kako drugače poškodoval.
- Ne dotikajte se tekočega grelnika z mokrimi rokami.

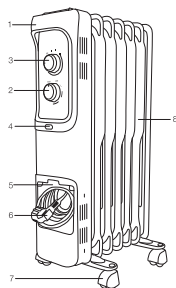
- Pri čiščenju naprave ne uporabljajte abrazivnih detergentov. Očistite ga z vlažno krpo (ne mokro) in vročo vodo. Pred čiščenjem napravo vedno izklopite iz vtičnice.
- Instrumenta ne priključujte na vir napajanja, dokler ne končate montaže in nastavitve.
- Naprave ne uporabljajte v neposredni bližini kopeli, prhe ali druge posode s tekočino.
- Instrument je treba uporabljati v pokončnem položaju.
- Izklopite aparat in ga pustite, da se ohladi, preden ga premaknete.
- Naprave ne uporabljajte z zvitem napajalnim kablom, ker lahko to povzroči pregrevanje in/ali nesreče.
- Uporaba podaljševalnega kabla ni priporočljiva.
- Ne izključite vtiča iz vtičnice, preden izklopite aparat.
- Ko odstranite vtič iz vtičnice, ne vlecite žice - primate za vtič.
- Ko naprave ne uporabljate, izklopite mrežni kabel.
- Ta aparat ni primeren za uporabo na preprogah z dolgimi kupi in Flokati.
- Med delovanjem pazite, da se žica ne dotika ogrevane površine.
- Žice ne skrivajte pod preprogami in ne postavljajte preprog, preprog itd. Žico postavite tako, da je ne prekinete.
- Žice ne zvijajte, ne upogibajte ali zasukajte okoli grelca, ker lahko to povzroči odrgnino in poslabšanje izolacije. Prepričajte se, da je žica izvlečena do celotne dolžine.
- Naprave ne uporabljajte zunaj in ne puščajte na mokri podlagi.
- Naprave ne odlagajte v skladišče, ko je še vroča.
- Ne pustite, da se otroci igrajo z aparatom.
- Naprave ne smete postavljati neposredno ob/pod vtičnico.
- Ne prekrivajte grelca, da preprečite pregrevanje
- Poškodovan napajalni kabel mora zamenjati vaš prodajalec, da se izognete nesrečam.
- Da se izognete ponastavitvi toplotne varovalke, te naprave ne smete uporabljati skupaj s pomožnimi napravami za odklop. Naprave tudi ne bi smeli biti priključeni na vezje, ki se pogosto krati in odpira.
- To napravo uporabljajte samo za predvideni namen, kot je opisano v tem priročniku. Proizvajalec ne priporoča kakršne koli druge uporabe in lahko povzroči požar, električni udar ali nesrečo.
- Ta aparat je namenjen samo za domačo uporabo, ni priporočljiv za industrijsko uporabo.

Pravila za namestitvev



Pregled naprave

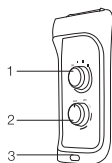
Splošni pogled



Sl. 1

1. Nosilni ročaj
2. Krmilni termostat
3. Vklonite/izklopote napravo, izberite delovno moč
4. Kazalnik naprave
5. Predal za shranjevanje napajalnega kabla
6. Napajalni kabel
7. Noge z kolesi
8. Telo instrumenta

Nadzorna plošča instrumenta



Sl. 2

1. Tipke za izbiro načina delovanja:
 OFF - izklopote napravo
 I - vklop grelca, izbira moči (EOH/LT-07W EEC – 600 vatov; EOH/LT-09W EEC – 800 vatov; EOH/LT-11W EEC – 1000 vatov)
 II - vklop grelca, izbira moči (EOH/LT-07W EEC – 900 Vatov; EOH/LT-09W EEC – 1200 Vatov; EOH/LT-11W EEC – 1500 Vatov)
 III - izbira moči (EOH/LT-07W EEC – 1500 Vatov; EOH/LT-09W EEC – 2000 Vatov; EOH/LT-11W EEC – 2200 Vatov)
2. Nadzorni termostat
3. Indikator delovanja instrumenta

Priprava na delo

- Napravo vzemite iz embalaže.
- Prepričajte se, da je instrument izklopljen.
- Napravo pritrdite v stabilen položaj v skladu z navodili za montažo in namestitvev. Izklopote napravo pustite v pokončnem položaju 30 minut, preden jo vklopote.
- Ni priporočljivo uporabljati iste električne vtičnice za istočasno priključitev tega grelnika in druge električne naprave visoke moči, da ne pride do preobremenitve vašega električnega omrežja.

Tehnične značilnosti

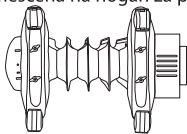
Parameter/Model	EOH/LT-07W EEC	EOH/LT-09W EEC	EOH/LT-11W EEC
Število odsekov	7	9	11
Toplotna moč, Vatov	1500/900/600	2000/1200/800	2200/1200/1000
Napajanje, V - Hz	220-240-50-60	220-240-50-60	220-240-50-60
Trenutna moč, A	6.8	9.1	10
Razred električne zaščite	I razred	I razred	I razred
Razred zaščite pred prahom in vlago, IP	IP20	IP20	IP20
Ogrevalna površina, m ² *	do 20	do 25	do 27
Dimenzije naprave (Š×V×D), mm	250×650×360	250×650×440	250×650×520
Dimenzije embalaže (Š×V×D), mm	415×705×140	495×705×140	575×705×140
Neto teža, kg	8.3	10.1	11.9
Bruto teža, kg	9.2	11.2	13.1

* Navedeno je vodilna vrednost in se lahko razlikuje glede na dejanske pogoje uporabe. Proizvajalec si pridržuje pravico do sprememb

Hitri vodnik za začetek

Namestitev aparata

Naprava je nameščena na nogah za prosto gibanje.



Sl. 3.

Garnitura nog je pritrjena na naslednji način:

- Grelec obrnite na glavo (slika 3));
- Podporni drog prestavite skozi držalo;
- Drugi konec traku pritrdite z matico.

Vklp/izbira delovne moči grelca

- Če želite vklopiti napravo, zavrtite spodnji gumb nadzorne plošče v desno in izberite zeleno moč naprave.

Nastavitev temperature

- Če želite nastaviti zeleno temperaturo ogrevanja in vzdrževati stalno sobno temperaturo, vklopite napravo s polno močjo, tako da krmilni gumb termostata premaknete v položaj «max». Ko sobna temperatura doseže udobno raven, začnite počasi obračati gumb za upravljanje termostata v levo, dokler ne zaslišite klika. Tako si bo naprava zapomnila temperaturo, ki vam ustreza, in jo bo vzdrževala s samodejnim vklopom in izklopom.

Ugasniti

- Za izklop grelnika obrnite gumb za izbiro moči v položaj «OFF». Naprava se izklopi.

Funkcija zaščite pred pregrevanjem

- V primeru pregrevanja se grelnik samodejno izklopi.

Funkcija zaščite pred prevračanjem

- Naprava je opremljena s samodejnim stikalom, ki se vklopi, če naprava odstopa od delovnega položaja. Grelec se samodejno izklopi.

Nega in vzdrževanje

Grelnik olja ne potrebuje posebnega vzdrževanja.

Pred servisiranjem (odhodom) je treba grelec izključiti iz električnega omrežja.

Telo naprave je treba občasno očistiti z mehko krpo ali vlažno gobo. Nikoli ne uporabljajte abrazivnih, penastih detergentov ali topil.

Iskanje problemov

Motnja simptom	Vzrok	Popravni ukrepi
Brez ogrevanja	1) Nezaneseljiv priključek napajalnega kabla. 2) Grelnik je izključen. 3) Dejanska sobna temperatura je višja od nastavitve termostata.	1) Vzpostavite zanesljivo povezavo. 2) Grelnik nastavite na način delovanja. 3) Nastavite temperaturni način grelca.

Nabor

- Grelec z oljem
- Pritrdilni elementi
- Komplet nog s kolesi
- Navodila

Shranjevanje naprave

Pred shranjevanjem se prepričajte, da je grelec hladen. Priporočljivo je, da grelec očistite in ga shranite (po možnosti v originalni embalaži) na hladnem in suhem mestu, če nameravate naprave ne uporabljati dlje časa.

Odlaganje



— Odpadna naprava se ne sme odvreči skupaj z gospodinjstvi odpadki (2012/19/EU).

Garancijske obveznosti

Garancijsko vzdrževanje se izvaja pod pogoji iz razdelka "Garancijske obveznosti"

Garancija:

- Za izdelek velja garancija v roku dveh let od dneva nakupa. V primeru, da v dveletnem obdobju se bodo pojavile katerekoli okvare, nastale zaradi pomanjkljivosti materialov oz. izdelave, izdelek bo popravljen ali zamenjan.
- Brezplačno popravilo ali menjava je možna samo ob predložitvi utemeljenega dokazila, na primer računa, ki potrjuje, da popravilo je zahtevano v roku veljavnosti garancije.
- Garancija ne velja za izdelke oz. dele izdelkov, ki so obrabljeni, ki se po svoji naravi štejejo kot potrošni material ali

izdelani iz stekla.

- Garancija ne velja, če okvara je bila povzročena zaradi neustrezne uporabe, slabega vzdrževanja (na primer okvara je nastala zaradi vstopanja v notranjost izdelka tujih predmetov ali tekočine) ali v primeru, da popravila oz. spremembe izvajale nepooblaščen s strani Proizvajalca osebe.
- Za pravilno uporabo izdelka mora uporabnik dosledno upoštevati vsa vključena navodila. V uporabniškem priročniku se morate vzdržati kakršnih koli dejanj ali manipulacij, ki so opisane kot nezaželene ali ki so navedene v priročniku za uporabo.
- Te garancijske omejitve ne vplivajo na vase zakonske pravice.

Podpora:

Podpora med in po garancijskem obdobju je na voljo v vseh državah, kjer je izdelek uradno distribuiran. Za pomoč se obrnite na prodajalca.

Datum izdelave

Datum izdelave je naveden na nalepki na ohišju naprave ter šifriran v Code-128. Datum izdelave se lahko ugotovi na naslednji način:

SN XXXXXXX XXXX XXXXXX XXXXX
 mesec in leto izdelave

Ne brišite in ne hranite serijske številke v napravi. Če se nalepka s serijsko številko izgubi ali poškoduje, datuma proizvodnje ne bo mogoče obnoviti, če bo potrebno.

Uvoznik:

┌

└

Proizvajalec: CladSwiss AG,
Bahnhofstrasse 27, 6300 Zug, Švica.
E-naslov: info@cladswiss.com

Naredili v LRK.

Electrolux je registrirana blagovna znamka, ki se uporablja po licenci AB Electrolux (publ.).

Proizvajalec si pridržuje pravico do spremembe zasnove in lastnosti naprave.

V besedilu in številčnih oznakah so možne tehnične napake in tipkarske napake. Tehnične specifikacije in ponudba so lahko spremenjeni brez predhodnega obvestila.

Dovoljene so napake in napačni odpisi v besedilih in številkah.

Zasnova in tehnični podatki naprave se lahko razlikujejo od tistih, ki so prikazani na embalaži.

Za več podrobnosti se obrnite na prodajnega svetovalca.

Informacijske zahteve za električne grelce					
ID-ji modela: Sport Line EOH/LT-07W EEC					
Obvezno	Simbol	Cena	Enota	Obvezno	Enota
Toplotna moč				Vrsta oskrbe s toploto, samo za lokalne grelnike z električnim zalogovnikom (izberite enega)	
Nazivna toplotna moč	P_{nom}	1.5	kW	ročna regulacija toplotnega polnjenja, z vgrajenim termostatom	DA
Najmanjša toplotna moč (približno)	P_{min}	0.6	kW	ročna regulacija toplotnega naboja s povratnimi informacijami o notranji in/ali zunanji temperaturi	NE
Največja kontinuirana toplotna moč	$P_{max,c}$	1.5	kW	elektronsko krmiljenje polnjenja toplote v zaprtih prostorih in/ali na prostem	NE
Pomožna poraba energije				toplotna moč ventilatorja	NE
Pri nazivni moči ogrevanja	$e_{l,max}$	N/V	kW	Odvzem toplote/vrsta sobne temperature (izberite eno)	
Z minimalnim odvajanjem toplote	$e_{l,min}$	N/V	kW	enostopenjsko odvajanje toplote in brez sobne temperature	NE
V pripravljenosti	$e_{l,sb}$	N/V	kW	še dve ročni stanji brez sobne temperature	NE
				z mehanskim termostatom za regulacijo sobne temperature	DA
				z elektronskim nadzorom temperature v sobi	NE
				elektronsko krmiljenje temperature v sobi in dnevno uro	NE
				elektronski nadzor sobne temperature plus tedenski časovnik	NE
				Druge možnosti krmiljenja (možnih je več možnosti)	
				sobna kontrola temperature z zaznavanjem prisotnosti	NE
				sobna kontrola temperature, z odprtim oknom	NE
				z možnostjo daljinskega upravljanja	NE
				s prilagodljivim zagonom zagona	NE
				z omejenim delovnim časom	NE
				s senzorjem žarnice	NE
Kontaktne podatki	Proizvajalec: CladSwiss AG, Bahnhofstrasse 27, 6300 Zug, Švica. E-naslov: info@cladswiss.com				

Informacijske zahteve za električne grelce					
ID-ji modela: Sport Line EOH/LT-09W EEC					
Obvezno	Simbol	Cena	Enota	Obvezno	Enota
Toplotna moč			Vrsta oskrbe s toploto, samo za lokalne grelnike z električnim zalogovnikom (izberite enega)		
Nazivna toplotna moč	P_{nom}	2.0	kW	ročna regulacija toplotnega polnjenja, z vgrajenim termostatom	DA
Najmanjša toplotna moč (približno)	P_{min}	0.8	kW	ročna regulacija toplotnega naboja s povratnimi informacijami o notranji in/ali zunanji temperaturi	NE
Največja kontinuirana toplotna moč	$P_{max,c}$	2.0	kW	elektronsko krmiljenje polnjenja toplote v zaprtih prostorih in/ali na prostem	NE
Pomožna poraba energije			toplotna moč ventilatorja		NE
Pri nazivni moči ogrevanja	$e_{l,max}$	N/V	kW	Odvzem toplote/vrsta sobne temperature (izberite eno)	
Z minimalnim odvajanjem toplote	$e_{l,min}$	N/V	kW	enostopenjsko odvajanje toplote in brez sobne temperature	NE
V pripravljenosti	$e_{l,sb}$	N/V	kW	še dve ročni stanji brez sobne temperature	NE
				z mehanskim termostatom za regulacijo sobne temperature	DA
				z elektronskim nadzorom temperature v sobi	NE
				elektronsko krmiljenje temperature v sobi in dnevno uro	NE
				elektronski nadzor sobne temperature plus tedenski časovnik	NE
Druge možnosti krmiljenja (možnih je več možnosti)					
				sobna kontrola temperature z zaznavanjem prisotnosti	NE
				sobna kontrola temperature, z odprtim oknom	NE
				z možnostjo daljinskega upravljanja	NE
				s prilagodljivim zagonom zagona	NE
				z omejenim delovnim časom	NE
				s senzorjem žarnice	NE
Kontaktne podatki	Proizvajalec: CladSwiss AG, Bahnhofstrasse 27, 6300 Zug, Švica. E-naslov: info@cladswiss.com				

Informacijske zahteve za električne grelce					
ID-ji modela: Sport Line EOH/LT-11W EEC					
Obvezno	Simbol	Cena	Enota	Obvezno	Enota
Toplotna moč			Vrsta oskrbe s toploto, samo za lokalne grelnike z električnim zalogovnikom (izberite enega)		
Nazivna toplotna moč	P_{nom}	2.2	kW	ročna regulacija toplotnega polnjenja, z vgrajenim termostatom	DA
Najmanjša toplotna moč (približno)	P_{min}	1	kW	ročna regulacija toplotnega naboja s povratnimi informacijami o notranji in/ali zunanji temperaturi	NE
Največja kontinuirana toplotna moč	$P_{max,c}$	2.2	kW	elektronsko krmiljenje polnjenja toplote v zaprtih prostorih in/ali na prostem	NE
Pomožna poraba energije			toplotna moč ventilatorja		NE
Pri nazivni moči ogrevanja	$e_{l,max}$	N/V	kW	Odvzem toplote/vrsta sobne temperature (izberite eno)	
Z minimalnim odvajanjem toplote	$e_{l,min}$	N/V	kW	enostopenjsko odvajanje toplote in brez sobne temperature	NE
V pripravljenosti	$e_{l,sb}$	N/V	kW	še dve ročni stanji brez sobne temperature	NE
				z mehanskim termostatom za regulacijo sobne temperature	DA
				z elektronskim nadzorom temperature v sobi	NE
				elektronsko krmiljenje temperature v sobi in dnevno uro	NE
				elektronski nadzor sobne temperature plus tedenski časovnik	NE
Druge možnosti krmiljenja (možnih je več možnosti)					
				sobna kontrola temperature z zaznavanjem prisotnosti	NE
				sobna kontrola temperature, z odprtim oknom	NE
				z možnostjo daljinskega upravljanja	NE
				s prilagodljivim zagonom zagona	NE
				z omejenim delovnim časom	NE
				s senzorjem žarnice	NE
Kontaktne podatke	Proizvajalec: CladSwiss AG, Bahnhofstrasse 27, 6300 Zug, Švica. E-naslov: info@cladswiss.com				

OBSAH

1. ÚVOD.....	115
2. BEZPEČNOSTNÉ PREDPISY.....	115
3. PRAVIDLÁ INŠTALÁCIE.....	116
4. VŠEOBECNÝ PREHĽAD ZARIADENÍ.....	116
5. OVLÁDACÍ PANEL PRÍSTROJE.....	116
6. PRÍPRAVA NA PRÁCU.....	116
7. PRÍRUČKA PRE RÝCHLY ŠTART O PRÁCI SO ZARIADENÍM.....	116
8. TECHNICKÉ ÚDAJE.....	117
9. STAROSTLIVOSŤ A ÚDRŽBA.....	117
10. RIEŠENIE PROBLÉMOV.....	118
11. KOMPLETNÁ SADA.....	118
12. SKLADOVANIE SPOTREBIČA.....	118
13. RECYKLÁCIA.....	118
14. GARANČIJSKE OBVEZNOSTI.....	118
15. DATUM IZDELAVE.....	118

MYSLÍME NA VÁS

Ďakujeme, že ste si zakúpili zariadenie Electrolux. Vybrali ste produkt, ktorý je podporený desaťročiami profesionálnych skúseností a inovácií. Jedinečný a štýlový, bol vytvorený so starostlivosťou o vás. Takže kedykoľvek ho budete používať, môžete si byť istí, že výsledky budú vždy vynikajúce. Vitajte v spoločnosti Electrolux!

Na našej webovej stránke môžete:



Vyhľadať odporúčania na použitie produktov, návody na použitie a informácie o údržbe:
<http://www.home-comfort.com/support/>



Nakúpiť produkt vo vašom meste:
<http://www.home-comfort.com/search/find-a-store/>



Pri predaji zariadenia musí predajca vyplniť časť "Product details", umiestnené na vnútornej zadnej strane tohto návodu na obsluhu.



Použité symboly



Pozor/Dôležité bezpečnostné informácie



Všeobecné informácie a odporúčania

Záručný servis sa vykonáva v súlade s podmienkami uvedenými v časti Záručné povinnosti.

Poznámka:

V texte tejto príručky môže mať ohrievač oleja technické názvy, ako napríklad zariadenie, prístroj atď.

Toto zariadenie vhodné iba do dobre izolovaných miestností alebo na občasné použitie.

Úvod

Prečítajte si a prísne dodržiavajte požiadavky uvedené v tomto návode na obsluhu. Manuál a dokumenty, ktoré potvrdzujú dátum zakúpenia zariadenia, uschovajte na bezpečnom mieste, aby ste ich v budúcnosti mohli ľahko nájsť a používať.

Prístroj je určený na ohrev vzduchu v domácnostiach.

Bezpečnostné predpisy



Pozor!

Požiadavky, ktoré, ak sa nebudú dodržiavať, by mohli mať za následok vážne zranenie alebo vážne poškodenie zariadenia.

Pri používaní zariadenia dodržiavajte všeobecné bezpečnostné pravidlá pri používaní elektrických zariadení. Nedodržanie bezpečnostných pokynov a pokynov môže mať za následok úraz elektrickým prúdom, požiar alebo vážne zranenie.

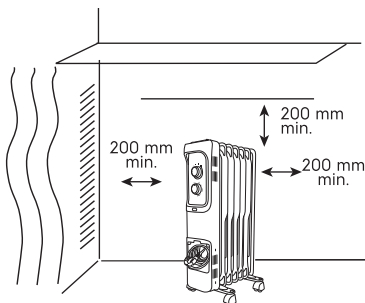
Pred použitím zariadenia si pozorne prečítajte nasledujúce bezpečnostné opatrenia:

- Pred uvedením ohrievača do prevádzky si prečítajte tento návod a uschovajte ho po ruke.
- Ohrievač používajte iba pri napätí uvedenom na štítku produktu.
- Neblokujte ani neobmedzujte prúdenie vzduchu cez vstupnú a výstupnú mriežku, aby ste zabránili prehriatiu a požiaru.
- Neumiestňujte ohrievač do tesnej blízkosti žiadneho povrchu, pretože by to mohlo mať za následok prekryvanie mriežok a znemožnenie nasávania a odsávania vzduchu.
- Neumiestňujte ohrievač do blízkosti vykurovacích zariadení.
- Nepoužívajte ohrievač v priestoroch, kde sa používa alebo skladuje palivo, farba alebo iné horľavé kvapaliny.
- Tento spotrebič sa počas používania zahrieva. Nedotýkajte sa horúceho povrchu, aby nedošlo k popáleniu. Pred premiestnením na iné miesto prístroj vypnite a nechajte ho vychladnúť.
- Na sušenie odevov nepoužívajte ohrievač.
- Zariadenie neponárajte do kvapaliny, dávajte pozor, aby sa do prístroja nedostala tekutina, mohlo by to spôsobiť úraz elektrickým prúdom.
- Ak sa zariadenie dostane do vody, nesiahajte na prístroj. Ihneď vyťahnite zástrčku zo zásuvky.
- Nepoužívajte ohrievač s poškodeným a/alebo poškodeným alebo rozstrapkaným napájacím káblom.
- Sieťový kábel musí byť umiestnený tak, aby sa po ňom nešliapalo, aby nebol odretý, roztrhaný, zalomený alebo inak poškodený.
- Nedotýkajte sa bežiacieho ohrievača mokrymi rukami.
- Pri čistení zariadenia nepoužívajte abrazívne čistiace prostriedky. Vyčistite ju navlhčenou tkaninou (nie mokrou) a horúcou vodou. Pred čistením prístroj vždy odpojte zo siete.
- Nepripájajte zariadenie k zdroju energie, kým nie je kompletná montáž a nastavenie.
- Nepoužívajte spotrebič v bezprostrednej blízkosti vane, sprchy alebo inej nádoby s tekutinami.
- Zariadenie sa musí používať vo zvislej polohe.
- Pred premiestnením spotrebič vypnite a nechajte ho vychladnúť.
- Nepoužívajte spotrebič so skrúteným napájacím káblom, pretože by to mohlo spôsobiť prehriatie a/alebo nehody.
- Neodporúčame používať predlžovací kábel. Pred vypnutím spotrebiča neodpájajte zástrčku zo zásuvky.
- Keď vyťahujete zástrčku zo zásuvky, neťahajte za kábel - uchopte zástrčku samotnú.
- Ak sa zariadenie nepoužíva, odpojte ho zo siete.
- Tento prístroj nie je vhodný na použitie na kobercoch s dlhými vlasmi a na kobercoch Flokati.
- Počas prevádzky sa uistite, že sa drôt nedotýka zahrievaného povrchu.
- Drôt neskrývajte pod kobercami ani naň nekladte koberce, koberce atď. Drôt umiestnite tak, aby sa nad ním nenakláňal.
- Drôty neohýbajte, neohýbajte ani nekrúťte okolo ohrievača, pretože to môže spôsobiť oter a poškodenie izolácie. Uistite sa, že je vodič vyťahnutý na celú dĺžku.
- Nepoužívajte prístroj vonku ani ho nenechávajte na mokrej podlahe.
- Spotrebič nedávajte do skladu, keď je ešte horúci.
- Nedovoľte deťom hrať sa so spotrebičom.
- Spotrebič by nemal byť umiestnený priamo vedľa alebo pod zásuvkou. Zabráni sa prehriatiu nezakrývajte ohrievač.
- Poškodený napájací kábel musí vymeniť váš predajca, aby sa predišlo nehodám.
- Aby ste zabránili resetovaniu tepelnej

poistky, tento spotrebič by sa nemal používať v spojení s pomocnými spínacími zariadeniami.

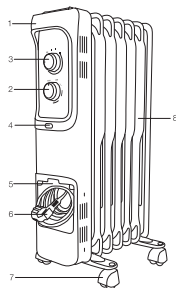
- Spotrebič by tiež nemal byť pripojený k obvodu, ktorý je často skratovaný a otvorený.
- Toto zariadenie používajte iba na určený účel, ako je to opísané v tejto príručke. Výrobca neodporúča žiadne iné použitie a môže spôsobiť požiar, zásah elektrickým prúdom alebo nehodu.
- Tento spotrebič je určený iba na domáce použitie a neodporúča sa na priemyselné použitie.

Pravidlá inštalácie



Všeobecný prehľad zariadení

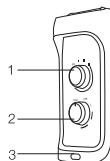
Všeobecná vyhládka



Obr. 1

1. Prenosná rukoväť
2. Riadiaci termostat
3. Zapnite/vypnite zariadenie a vyberte prevádzkovú silu
4. Indikátor zariadenia
5. Priestor pre uloženie napájacieho kábla
6. Sieťový kábel
7. Nohy s kolieskami
8. Telo prístroja

Ovládací panel prístroje



Obr. 2

1. Klávesy pre výber prevádzkového režimu:
 OFF - vypnite zariadenie
 I - zapnutie ohrievača, výber výkonu (EOH/LT-07W EEC - 600 W; EOH/LT-09W ECC - 800 W; EOH/LT-11W EEC - 1 000 W)
 II - zapnutie ohrievača, výber výkonu (EOH/LT-07W EEC - 900 W; EOH/LT-09W EEC - 1200 W; EOH/LT-11W EEC - 1500 W)
 III - výber výkonu (EOH/LT-07W EEC - 1500 W; EOH/LT-09W EEC - 2000 W EOH/LT-11W EEC - 2200 W)
2. Riadiaci termostat
3. Indikátor činnosti zariadenia

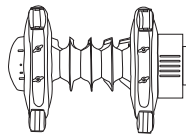
Príprava na prácu

- Vyberte zariadenie z obalu.
- Skontrolujte, či je prístroj vypnutý.
- Prístroj upevnite v stabilnej polohe podľa pokynov na montáž a inštaláciu. Pred zapnutím nechajte odpojené zariadenie vo zvislej polohe po dobu 30 minút.
- Neodporúča sa používať rovnaké elektrické zásuvky na pripojenie tohto ohrievača a iných vysokovýkonných elektrických zariadení súčasne, aby nedošlo k preťaženiu vašej elektrickej siete.

Príručka pre rýchly štart o práci so zariadením

Inštalácia spotrebiča

Zariadenie je namontované na nohách pre voľný pohyb.



Obr. 3

Technické údaje

Parameter/Model	EOH/LT-07W EEC	EOH/LT-09W EEC	EOH/LT-11W EEC
Počet oddielov	7	9	11
Vykurovací výkon, W	1500/900/600	2000/1200/800	2200/1200/1000
Napájanie, V - Hz	220-240-50-60	220-240-50-60	220-240-50-60
Amperage, A	6.8	9.1	10
Trieda elektrickej ochrany	Trieda I	Trieda I	Trieda I
Trieda ochrany proti pra-chu a vlhkosti, IP	IP20	IP20	IP20
Vykurovací plocha, m ² *	do 20	do 25	do 27
Rozmery zariadenia (Š×V×H), mm	250×650×360	250×650×440	250×650×520
Rozmery balenia (Š×V×H), mm	415×705×140	495×705×140	575×705×140
Čistá hmotnosť, kg	8.3	10.1	11.9
Hrubá hmotnosť, kg	9.2	11.2	13.1

* Uvedená hodnota je približná hodnota a môže sa líšiť v závislosti od skutočných prevádzkových podmienok. Výrobca si vyhradzuje právo na zmeny

Sada nôh je pripevnená takto:

- Otočte ohrievač hore nohami (obr. 3);
- Pretiahnite opierku nohy cez držiak;
- Druhý koniec prúžku zaistíte maticou.

Zapnutie/výber prevádzkového výkonu ohrievača

- Ak chcete zariadenie zapnúť, otočte dolný gombík ovládacieho panela doprava, vyberte požadovaný výkon zariadenia.

Nastavenie teploty

- Ak chcete nastaviť požadovanú teplotu vykurovania a udržiavať konštantnú teplotu v miestnosti, zapnite prístroj na plný výkon posunutím ovládacieho gombíka termostatu do polohy „max“. Keď pre vás izbová teplota dosiahne príjemnú úroveň, začnite pomaly otáčať ovládacím gombíkom termostatu doľava, kým nebudete počuť kliknutie. Zariadenie si teda bude pamätať teplotu, ktorá vám je príjemná, a bude ju udržiavať automatickým zapínaním a vypínaním.

Vypnutie

- Pre vypnutie kúrenia otočte gombík voľby výkonu do polohy „OFF“. Zariadenie sa vypne.

Funkcia ochrany pred prehriatím

- Ohrievač sa automaticky vypne v prípade prehriatia.

Funkcia ochrany pri prevrátení

- Zariadenie je vybavené ističom, ktorý sa aktivuje, ak sa zariadenie odchyľí od prevádzkovej polohy. Ohrievač sa automaticky vypne.

Starostlivosť a údržba

Ohrievač oleja nevyžaduje žiadnu špeciálnu údržbu.

Pred servisom (odchodom) musí byť ohrievač odpojený od siete.

Telo zariadenia by sa malo čas od času vyčistiť mäkkou handrou alebo navlhčenou špongiou. Nikdy nepoužívajte abrazívne, penivé čistiace prostriedky alebo rozpúšťadlá.

Riešenie problémov

Príznak poruchy	Príčina poruchy	Kroky na riešenie problémov
Bez kúrenia	1) Nespoľahlivé pripojenie napájacieho kábla. 2) Ohrievač je vypnutý. 3) Skutočná teplota v miestnosti je vyššia ako nastavenie termostatu	1) Vytvorte spoľahlivé spojenie. 2) Ohrievač prepnite do prevádzkového režimu. 3) Nastavte režim teploty ohrievača.

Kompletná sada

- Ohrievač naplnený olejom
- Spojovacie prvky
- Sada nôh s kolieskami
- Uživateľská príručka

Skladovanie spotrebiča

Pred uložením chladniča sa uistite, že je v chlade.
Ak plánujete prístroj dlhšiu dobu nepoužiť, odporúča sa vyčistiť a uložiť ho (pokiaľ možno v pôvodnom obale) na chladnom suchom mieste.

Recyklácia



Staré zariadenie sa nesmie likvidovať s domovým odpadom (2012/19/EÚ).

Garancijske obveznosti

Záručný servis sa vykonáva v súlade s podmienkami uvedenými v časti Záručné povinnosti.

Záruka:

- Záručná doba na výrobok je dva roky od dátumu zakúpenia. Pokiaľ počas tohto dvojnásobného záručného obdobia vzniknú nejaké chyby z dôvodu nedostatkov materiálu alebo spracovania, bude výrobok opravený alebo vymenený.
- Bezplatná oprava alebo výmena je možná iba vtedy, ak sú predložené presvedčivé dôkazy, napríklad s potvrdením, že deň, keď sa požaduje služba, je v rámci záručnej doby.
- Záruka sa nevzťahuje na výrobky a/alebo

časti výrobku, ktoré sú opotrebovateľné a ktoré sa môžu považovať za spotrebný materiál alebo sú vyrobené zo skla.

- Záruka nie je platná, ak je vada spôsobená poškodením spôsobeným neodborným použitím, nesprávnou údržbou (napríklad došlo k poruche v dôsledku zásahu cudzích predmetov alebo tekutín do výrobku) alebo ak zmeny alebo opravy vykonali osoby, ktoré k tomu výrobca nepovolil.
- Pri správnom používaní produktu musí používateľ prísne dodržiavať všetky obsiahnuté pokyny. V uživateľskej príručke a musí sa zdržať akejkoľvek činnosti alebo manipulácie, ktorá je opísaná ako nežiaduca alebo ktorá je uvedená v uživateľskej príručke.
- Tieto obmedzenia záruky nemajú vplyv na vaše zákonné práva.

Podpora:

Podpora počas a po záručnej dobe je k dispozícii vo všetkých krajinách, v ktorých je produkt oficiálne distribuovaný. Požiadajte o pomoc svojho predajcu.

Datum izdelave

Datum izdelave je naveden na nalepki na ohišju naprave ter šifriran v Code-128.

Datum izdelave se lahko ugotovi na naslednji način:

SN XXXXXXXX XXXX XXXXXXXX XXXXX

mesiac a rok výroby

Neodstraňujte ani neuchovávajte sériové číslo zariadenia. Ak sa štítok so sériovým číslom stratí alebo poškodí, v prípade potreby nebude možné obnoviť dátum výroby.

Dovozca:

Výrobca: CladSwiss AG,
Bahnhofstrasse 27, 6300 Zug, Švajčiarsko.
E-mail: info@cladswiss.com

Vyrobené v Číne.

Electrolux je registrovaná ochranná známka používaná na základe licencie spoločnosti AB Electrolux (publ.).

Výrobca si vyhradzuje právo na zmeny v konštrukcii a charakteristikách prístroja.

V texte a číselnom označení sa môžu vyskytnúť technické chyby a typografické chyby. Zmeny v charakteristikách a sortimente sa môžu vykonať bez predchádzajúceho upozornenia.

Povolené chyby a chyby v textoch a číselných označeniach.
Konštrukcia a technické údaje pomôcky sa môžu líšiť od údajov uvedených na obale.
Ak potrebujete ďalšie podrobnosti, kontaktujte svojho obchodného poradcu.

Požiadavky na informácie pre elektrické lokálne ohrievače					
ID modelu: Sport Line EOH/LT-07W EEC					
Požadovaný	Symbol	Cena	jednotka	Požadovaný	jednotka
Tepelná energia				Typ dodávky tepla, iba pre lokálne ohrievače s elektrickým zásobníkom (vyberte jeden)	
Menovitý tepelný výkon	P_{nom}	1.5	kW	manuálna regulácia tepla so vstavaným termostatom	ÁNO
Minimálny tepelný výkon (približný)	P_{min}	0.6	kW	manuálna regulácia teploty so spätnou väzbou vnútornej a/alebo vonkajšej teploty	NIE
Maximálny trvalý tepelný výkon	$P_{max,c}$	1.5	kW	elektronická regulácia tepla vnútri a/alebo vonku."	NIE
Pomocná spotreba energie				tepelný výkon pomocou ventilátora	NIE
Pri menovitom tepelnom výkone	$e_{l,max}$	N/P	kW	Typ regulácie odvodu tepla/izbovej teploty (vyberte jeden)	
Z minimalnim odvajanjem toplote	$e_{l,min}$	N/P	kW	enostopenjsko odvajanje toplote in brez sobne temperature	NIE
V pripravljenoosti	$e_{l,sa}$	N/P	kW	še dve ročni stanji brez sobne temperature	NIE
				z mehanskim termostatom za regulacijo sobne temperature	ÁNO
				z elektronskim nadzorom temperature v sobi	NIE
				elektronsko krmiljenje temperature v sobi in dnevno uro	NIE
				elektronski nadzor sobne temperature plus tedenski časovnik	NIE
Ďalšie možnosti ovládania (je možné niekoľko možností)					
				sobna kontrola temperature z zaznavanjem prítomnosti	NIE
				sobna kontrola temperature, z odprtim oknom	NIE
				z možnostjo daljinskega upravljanja	NIE
				z aktivnim nadzorom zagona	NIE
				z omejenim delovnim časom	NIE
				s senzorjem žarnice	NIE
Kontaktní podatki	Výrobca: CladSwiss AG, Bahnhofstrasse 27, 6300 Zug, Švajčiarsko. E-mail: info@cladswiss.com				

Požiadavky na informácie pre elektrické lokálne ohrievače					
ID modelu: Sport Line EOH/LT-09W EEC					
Požadovaný	Symbol	Cena	jednotka	Požadovaný	jednotka
Tepelná energia				Typ dodávky tepla, iba pre lokálne ohrievače s elektrickým zásobníkom (vyberte jeden)	
Menovitý tepelný výkon	P_{nom}	2.0	kW	manuálna regulácia tepla so vstavaným termostatom	ÁNO
Minimálny tepelný výkon (približný)	P_{min}	0.8	kW	manuálna regulácia teploty so spätnou väzbou vnútornej a/alebo vonkajšej teploty	NIE
Maximálny trvalý tepelný výkon	$P_{max,c}$	2.0	kW	elektronická regulácia tepla vnútri a/alebo vonku."	NIE
Pomocná spotreba energie				tepelný výkon pomocou ventilátora	NIE
Pri menovitom tepelnom výkone	$e_{l,max}$	N/P	kW	Typ regulácie odvodu tepla/izbovej teploty (vyberte jeden)	
Z minimalnim odvájanjem toplote	$e_{l,min}$	N/P	kW	enostopenjsko odvájanje toplote in brez sobne temperature	NIE
V pripravljenoosti	$e_{l,sa}$	N/P	kW	še dve ročni stanji brez sobne temperature	NIE
				z mehanskim termostatom za regulacijo sobne temperature	ÁNO
				z elektronskim nadzorom temperature v sobi	NIE
				elektronsko krmiljenje temperature v sobi in dnevno uro	NIE
				elektronski nadzor sobne temperature plus tedenski časovnik	NIE
Ďalšie možnosti ovládania (je možné niekoľko možností)					
				sobna kontrola temperature z zaznavan- jem prisotnosti	NIE
				sobna kontrola temperature, z odprtim oknom	NIE
				z možnostjo daljinskega upravljanja	NIE
				z aktivnim nadzorom zagona	NIE
				z omejenim delovnim časom	NIE
				s senzorjem žarnice	NIE
Kontaktni podatki	Výrobca: CladSwiss AG, Bahnhofstrasse 27, 6300 Zug, Švajčiarsko. E-mail: info@cladswiss.com				

Požiadavky na informácie pre elektrické lokálne ohrievače					
ID modelu: Sport Line EOH/LT-IIW EEC					
Požadovaný	Symbol	Cena	jednotka	Požadovaný	jednotka
Tepelná energia				Typ dodávky tepla, iba pre lokálne ohrievače s elektrickým zásobníkom (vyberte jeden)	
Menovitý tepelný výkon	P_{nom}	2.2	kW	manuálna regulácia tepla so vstavaným termostatom	ÁNO
Minimálny tepelný výkon (približný)	P_{min}	1	kW	manuálna regulácia teploty so spätnou väzbou vnútornej a/alebo vonkajšej teploty	NIE
Maximálny trvalý tepelný výkon	$P_{max,c}$	2.2	kW	elektronická regulácia tepla vnútri a/alebo vonku."	NIE
Pomocná spotreba energie				tepelný výkon pomocou ventilátora	NIE
Pri menovitom tepelnom výkone	$e_{l,max}$	N/P	kW	Typ regulácie odvodu tepla/izbovej teploty (vyberte jeden)	
Z minimalnim odvajanjem toplote	$e_{l,min}$	N/P	kW	enostopenjsko odvajanje toplote in brez sobne temperature	NIE
V pripravljenoosti	$e_{l,sa}$	N/P	kW	še dve ročni stanji brez sobne temperature	NIE
				z mehanskim termostatom za regulacijo sobne temperature	ÁNO
				z elektronskim nadzorom temperature v sobi	NIE
				elektronsko krmiljenje temperature v sobi in dnevno uro	NIE
				elektronski nadzor sobne temperature plus tedenski časovnik	NIE
Ďalšie možnosti ovládania (je možné niekoľko možností)					
				sobna kontrola temperature z zaznavanjem prítomnosti	NIE
				sobna kontrola temperature, z odprtim oknom	NIE
				z možnosťjo daljinskega upravljanja	NIE
				z aktivnim nadzorom zagona	NIE
				z omejenim delovnim časom	NIE
				s senzorjem žarnice	NIE
Kontaktní podatki	Výrobca: CladSwiss AG, Bahnhofstrasse 27, 6300 Zug, Švajčiarsko. E-mail: info@cladswiss.com				

СОДРЖИНА

1. ВОВЕД	125
2. БЕЗБЕДНОСНИ РЕГУЛАТИВИ	125
3. ПРАВИЛА ЗА ИНСТАЛАЦИЈА	126
4. ОПШТА ИНФОРМАЦИЈА ЗА УРЕДОТ	126
5. КОНТРОЛЕН ПАНЕЛ	126
6. ПОДГОТОВКА ЗА РАБОТА	126
7. ТЕХНИЧКИ КАРАКТЕРИСТИКИ	127
8. КРАТКО УПАТСТВО ЗА ПОЧЕТОК СО УРЕД	126
9. ГРИЖА И ТЕХНИЧКИ СЕРВИС	127
10. ЛОЦИРАЊЕ НА ПРОБЛЕМ	128
11. ОПРЕМА	128
12. ЧУВАЊЕ НА АПАРАТОТ	128
13. ОДЛАГАЊЕ	128
14. ГАРАНТНИ ОБВРСКИ	128
15. ДАТУМ НА ПРОИЗВОДСТВО	128

МИСЛИМЕ НА ВАС

Ви благодариме за купувањето на уредот Electrolux. Избравте производ зад кој стојат децении професионално искуство и иновации. Единствен и стилски тој е создаден со грижа за вас. Затоа секогаш кога и да го користите производот можете да бидете уверени: резултатите секогаш ќе бидат одлични. Добредојдовте во Electrolux!

На нашиот веб сајт вие ќе можете:



Да најдете препораки за користење на производите, упатства за употреба, информации за техничко одржување: <http://www.home-comfort.com/support>



Да го купите производот во вашиот град:
<http://www.home-comfort.com/search/find-a-store/>



При продажба на производот од страна на вашиот продавач, мора да биде пополнет делот „Детали за производот“ што се наоѓа во внатрешноста на задната страна од овој прирачник



Користена нотација



Важна напомена/задолжителни безбедносни регулативи



Општи информации и препораки

Одржувањето во гарантниот рок се врши во согласност со условите наведени во делот „Гарантни обврски“

Напомена:

Во текстот на овој прирачник, греалка може да има такви технички имиња како уред, уред, апарат, итн.

Овој уред е погоден само за добро изолирани простории или за повремена употреба.

Вовед

Ве молиме, внимателно да ги прочитате барањата што се содржани во упатството за работа и строго придржувајте се до нив. Чувајте ги кај вас прирачникот и документите со кои се потврдува датата на купување на производот, назначена на безбедно место, за лесно пронаоѓање и употреба во иднина.

Производот е наменет за загревање на воздухот во домашен простор.

Безбедносни регулативи



Важна напомена!

Неисполнувањето на безбедносните упатства може да доведе до несакана состојба или друга сериозна повреда.

При користење на производот, почитувајте ги општите правила за безбедност при користење на електрични апарати.

Неисполнувањето на безбедносните упатства може да доведе до несакана состојба/пожар и/или друга сериозна повреда.

Пред да го користите производот, внимателно прочитajte ги следниве правила за безбедност:

- Ве молиме, внимателно да ги прочитате барањата што се содржани во упатството за работа и строго придржувајте се до нив. Чувајте го кај вас прирачникот на безбедно место, за лесно пронаоѓање и употреба во иднина.
- Проверете дали напонот на мрежата одговара на тој што е наведен на етикетата.
- Осигурете се дека ништо не ги блокира влезните и излезните канали. Не ставајте облека или други предмети врз греалката, за да избегнете предизвикување на пожар.
- Не ја поставувајте греалката на нестабилна површина, во близина на радијатори или до некои други извори на топлина.
- Не ја поставувајте греалката во области каде што се употребува (или складира) гориво, боја или некоја друга запалива течност.
- Додека работи греалката може да достигне и повисока температура. Не ја допирајте ја да избегнете изгореници.
- Исклучите ја греалката, мора да се олади пред да ја преместите на другото место.
- Не ја користите греалката за друга намена (облека за сушење, итн.) што не одговара на нејзината основна намена.
- Никогаш не ја потопувајте греалката во вода или во некоја друга течност. Навлегувањето на вода, или течност во неа е мошне опасно.
- Не пристапувајте (не доаѓај) до уредот доколку

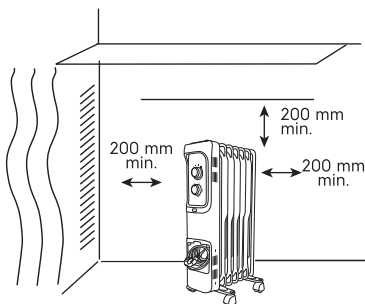
тој падне во вода. Веднаш исклучете го приклучокот за напојување.

- Не ја користете греалката со оштетен или пресвиткан кабел за напојување.
- Кабелот мора да биде поставен на начин да не може да се загрева, превиткува, кине, крши, формира јазли, да не е прекриен со нешто друго или оштетен на некој друг начин.
- Не ја допирајте греалката со влажни раце.
- При чистење на уредот, не се користат детергенти за отстранување на нечистотија. Исклучете го со влажна крпа (не мокра) и со топла вода. Пред чистењето, секогаш прво исклучете го апаратот.
- Не го поврзувајте уредот со изворот за напојување сè додека не се заврши склопувањето и прилагодувањето.
- Не користете го апаратот во непосредна близина на бања, туш или други садови со течност.
- Уредот мора да се користи во исправена положба.
- Исклучете го апаратот и оставете да се излади пред да извадите приклучокот од штекерот.
- Оштетениот кабел за напојување мора да се замени нов, за да избегне несреќи.
- Не се препорачува употреба на продолжен кабел.
- Не вадете го приклучокот од штекерот пред да го исклучите апаратот.
- Кога го вадите приклучокот од штекерот, не вадите ја жицата - држете се на самиот приклучок.
- Ако уредот не е во употреба, исклучете го од мрежата.
- Овој апарат не е погоден за употреба на теписи со длабок куп и теписи Флокати.
- За време на работата, проверете дали жицата не ја допира загреаната површина.
- Не ја кријте жицата под теписи, килими, итн. Поставете ја жицата така што нема да се сопнете со неа.
- Не ја врткајте, свиткувајте или вртете ја жицата околу грејачот бидејќи тоа може да предизвика абразија и абене на изолацијата. Осигурете се дека жицата е извлечена до целата нејзина должина.
- Не користете го апаратот на отворено или не оставајте го на влажен под.
- Не ставајте го апаратот во складирање додека е сè уште жешко.
- Не дозволувајте на децата да си играат со апаратот.
- Апаратот не треба да се поставува директно до/ под штекерот.
- За да спречите прегревање, не ја покривајте грејалката.
- Оштетениот кабел за напојување мора да се заме-

ни нов, за да избегне несреќи.

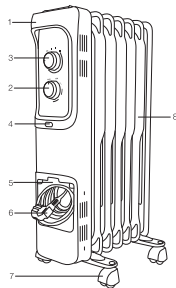
- За да се избегне ресетирање на топлинскиот осигурувач, овој уред не треба да се користи во комбинација со помошни уреди за исклучување. Исто така, уредот не треба да биде поврзан со електрични кола кои често се затвара и отвара.
- Користете го овој уред само за наменетата намена во согласност со овој прирачник. Секоја друга употреба не се препорачува од производителот и може да резултира во пожар, електричен удар или несреќа.
- Овој апарат е наменет само за домашна употреба, не се препорачува за индустриска употреба.

Правила за инсталација



Општа информација за уредот

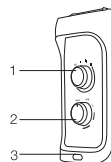
Општ изглед



Сл. 1

1. Рачка за пренос
2. Рачка на термостат
3. Уклучување/исклучување на уредот/ избор на нивоата на моќност на греење
4. Индикација за работа на уредот
5. Место за чување на кабел за напојување
6. Кабел за напојување
7. Шасија за подна инсталација
8. Кукиштето на грејката

Контролен панел



Сл. 2

1. Копче за избор на функција за работа:
OFF - исклучување на уредот
I – Уклучување на уредот, избор на моќност (EON/LT-07W EEC – 600 Вт; EON/LT-09W EEC – 800 Вт; EON/LT-11W EEC – 1000 Вт)
II – Уклучување на уредот, избор на моќност (EON/LT-07W EEC – 900 Вт; EON/LT-09W EEC – 1200 Вт; EON/LT-11W EEC – 1500 Вт)
III – избор на моќност (EON/LT-07W EEC – 1500 Вт; EON/LT-09W EEC – 2000 Вт; EON/LT-11W EEC – 2200 Вт)
2. Копче за регулирање на термостат
3. Индикација за работа на уредот

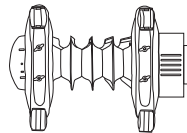
Подготовка за работа

- Внимателно отстранете го грејачот од картонската кутија.
- Поставете ја грејката во стабилна позиција според упатствата за склопување и инсталација.
- Оставете ја грејката во исправена положба на 30 минути пред да ја уклучите.
- Не се препорачува употреба на ист електричен штекер за истовремено приклучување на грејката и друг електричен апарат со голема моќност.

Кратко упатство за почеток со уред

Инсталација на уредот

Уредот се монтира на ногалките за слободно преместување.



Сл. 3

Користејќи ги ногалките, претходно проучувајќи ја шемата за монтирање поставете ја грејката на подот:

Технички карактеристики

Параметри/Модел	ЕОН/LT-07W EEC	ЕОН/LT-09W EEC	ЕОН/LT-11W EEC
Количина на секцији	7	9	11
Моќност на греење, Вт	1500/900/600	2000/1200/800	2200/1200/1000
Напон, В~Гц	220-240~50-60	220-240~50-60	220-240~50-60
Номинална струја, А	6.8	9.1	10
Класа за електрична заштита	I	I	I
Заштита од прав и влага (класа), IP	IP20	IP20	IP20
Областа за греење, м ² *	до 20	до 25	до 27
Големина на апаратот (Ш×В×Г), мм	250×650×360	250×650×440	250×650×520
Големина на пакување (Ш×В×Г), мм	415×705×140	495×705×140	575×705×140
Нето тежина, кг	8.3	10.1	11.9
Бруто тежина, кг	9.2	11.2	13.1

* Наведената насока /правец, може да се разликува во зависност од вистинските услови за работа. Производителот го задржува правото да направи измени

- Внимателно свртете ја греалката надолу. (Сл. 3);
- Поставете ја пластината на ногалка преку фиксатор.
- Прицврстете другиот раб на пластината со винт.

Уклучување/избор на моќноста за греење

- За да го вклучите уредот, свртете го копчето за долниот контролен панел надесно, избере-те ја саканата моќност на уредот.

Подесување на температура

- За да ја поставите потребната температура за греење и да одржувате постојана собна температура, вклучете го уредот со целосна моќност со поместување на контролното копче на термостатот во „максимум“ позиција. Кога собната температура ќе достигне пријатно ниво за вас, започнете полека да го вртите копчето за контрола на термоста-тот налево додека не слушнете клик. Така, уредот ќе ја запомни температурата што ви е пријатна и ќе ја одржува со автоматско вклучување и исклучување.

Исклучување

- За да го исклучите грејачот, свртете го копче-то за избор на напојување во положба «OFF». Уредот се исклучува.

Заштита на електрична греалка од прегревање

- Производот е опремен со заштита од прегревање - во случај на прегревање, уредот автоматски се исклучува.

Опцијата за заштита од паганье

- Греалка е опремена со аутоматски сигурносен преклучувач, што се активира кога греалката падне/смени своја работна положба. Грејалка аутоматски се исклучува.

Грижа и технички сервис

Греалката не бара посебно одржување. Пред сервисирањето таа мора да биде исклучена од струја.

Пред да ја чистите греалката, проверете дали таа е исклучена и целосно оладена. Куќиштето на греалката може да се избрише со малку влажна крпа. Никогаш не користете абра-зивни, пенести детергенти или растворувачи.

Лоцирање на проблем

Проблем	Причина за проблемот	Чекори за одстарување на проблемот
Кога не загрева	1) Нема напојување. 2) Кога не е во општата состојба. 3) Вистинската собна температура е повисока и после поставувањето на термостатот.	1) Воспоставете сигурна врска /струја. 2) Вклучете ја греалката. 3) Наместете ја програмата за температурата.

Опрема

- Греалката
- Држачи
- Ногалките (шасија)
- Прирачник за работа

Чување на апаратот

Ако сакате извесно време да не ја употребувате греалката, пред да ја спакувате проверете дали таа е сосема изладена.

Доколку немате потреба да го користите овој производ подолго време, се препорачува истиот да го исчистите и да го чувате спакуван (по можност во оригиналното пакување) на ладно и суво место.

Одлагање



Уредот на кој му истекол рокот на употреба не може да се одложи заедно со отпадот од домаќинствата (2012/19/EU)

Гарантни обврски

Одржувањето во гарантниот рок се врши во согласност со условите наведени во делот „Гарантни обврски“

Гаранција:

- Гарантниот рок за производот е две години од денот на купувањето. Ако во текот на овој двегодишен гарантен рок дојде до некакви дефекти кои настанале поради недостатоци на материјалите и/или на производството производот ќе биде поправен или заменет
- Бесплатна поправка или замена се можни само во случај ако се доставени убедливи докази, например со приложување на сметката која потврдува дека денот кога се бара одржувањето се во рамките на гарантниот рок.
- Гарантниот рок не се однесува на производи и/или делови на производот кои се подложни на трошење, кои по нивната природа можат да се сметаат како потрошни материјали или

кои се направени од стакло.

- Гаранцијата не важи ако дефектот е настанал поради оштетување, неправилно користење, лошо одржување (на пример ако дефектот настанал поради навлегување на надворешни предмети или течности во производот) или ако лица кои не се овластени од Производителот вршеле измени или поправки на производот.
- За правилна употреба на производот Корисникот мора да се води според упатството и да не пристапува кон било кое дејство или постапка што се опишани како несакани дејствија и се наведени во упатството за корисникот
- Ограничувањата што се наведени во гаранцијата не влијаат врз вашите законски права.

Поддршка:

Поддршката за време и по период на пропишаната гаранција, достапна е во сите земји во кои што официјално се дистрибуира производот. Доколку ви е потребна помош, ве молиме контактирајте со вашиот продавач.

Датум на производство

Датум на производство е наведен на налепницата на телото на уредот, а исто така е шифриран во Code-128. Датум на производство се одредува на следниот начин:

SN XXXXXXXX XXXX XXXXXX XXXXX

месец и година на производство

Не бришете го и чувајте го серискиот број на уредот. Загубата или оштетувањето на налепницата на која што е наведен серискиот број на производот, ќе спречи тој да биде вратен во фабрика доколку е тоа потребно.

Увозник:

┌

└

┌

└

Производител: CladSwiss AG,
Bahnhofstrasse 27, 6300 Zug, Швајцарија.
Е-пошта: info@cladswiss.com

Земја на производство Кина.

Electrolux е регистрирана трговска марка што се користи под лиценца на АВ Electrolux (publ.).

Производителот го задржува правото на внесување измени во конструкцијата и карактеристиките на производот.

Во текстот и бројчаните ознаки на упатството може да има технички и печатни грешки. Измените на техничките карактеристики и асортиманот може да бидат извршени без претходно известување.

Дозволен се грешки во текстовите и броевите. Дизајнот и техничките податоци на уредот може да се разликуваат од оние прикажани на пакувањето. За повеќе детали, контактирајте го вашиот консултант за продажба.

Барања информации за електрични греалки					
ID (и) на моделот: EOH/LT-07W EEC					
Побарсвање	Симбол	Цена	Ед. мерка	Побарување	Ед. мерка
Моќ на топлина				Видови топлинско снабдување, само за локални грејачи со електрично складирање (изберете еден)	
Номинална /фактичка излезна топлина	P_{nom}	1.5	kW	рачно регулирање на полнењето на топлината, со вграден термостат	ДА
Минимален излез на топлина (приближно)	P_{min}	0.6	kW	рачно регулирање на термичкото полнење со повратна информација за внатрешната и/или надворешната температура	НЕ
Максимално континуирано производство на топлина	$P_{max,c}$	1.5	kW	електронска контрола/управување на топлината во затворен простор и/или на отворен простор	НЕ
Помошна потрошувачка на енергија				излезност на топлина од вентилаторот	НЕ
Номинална/фактичка моќност на греење	eI_{max}		kW	Дисипација на топлина/тип на контрола на температурата во просторијата (изберете еден)	
Минимална дисипација на топлина	eI_{min}		kW	едностепена дисипација на топлината без контролирање на температурата во просторот	НЕ
Состојба на мирување	eI_{sb}		kW	уште две рачни состојби без контролирање на температурата во просторот	НЕ
				со механички термостат за контрола на температурата во просторијата	ДА
				со електронска контрола на температурата во просторијата	НЕ
				електронска контрола температура во просторијата и плус дневен тајмет	НЕ
				електронска контрола на температурата во просторијата и плус неделен тајмер	НЕ
				Други контролни опции (можни се неколку опции)	
				контрола на температурата во просторијата со сензор	НЕ
				контрола на температурата во просторијата, со сензор при отворање на прозорецотворен прозорец	НЕ
				со опција за далечински управувач	НЕ
				со прилагодлива контрола на стартот	НЕ
				со ограничено работно време	НЕ
				со сензор за сијалица	НЕ
Контакт информации	Производител: CladSwiss AG, Bahnhofstrasse 27, 6300 Zug, Швајцарија. Е-пошта: info@cladswiss.com				

Барања информации за електрични греалки					
ID (и) на моделот: EOH/LT-09W EEC					
Побарсвање	Симбол	Цена	Ед. мерка	Побарување	Ед. мерка
Моќ на топлина			Видови топлинско снабдување, само за локални грејачи со електрично складирање (изберете еден)		
Номинална /фактичка излезна топлина	P_{nom}	2.0	kW	рачно регулирање на полнењето на топлината, со вграден термостат	ДА
Минимален излез на топлина (приближно)	P_{min}	0.8	kW	рачно регулирање на термичкото полнење со повратна информација за внатрешната и/или надворешната температура	НЕ
Максимално континуирано производство на топлина	$P_{max,c}$	2.0	kW	електронска контрола/управување на топлината во затворен простор и/или на отворен простор	НЕ
Помошна потрошувачка на енергија			излезност на топлина од вентилаторот		НЕ
Номинална/фактичка моќност на греење	eI_{max}		kW	Дисипација на топлина/тип на контрола на температурата во просторијата (изберете еден)	
Минимална дисипација на топлина	eI_{min}		kW	едностепенa дисипација на топлината без контролирање на температурата во просторот	НЕ
Состојба на мирување	eI_{sb}		kW	уште две рачни состојби без контролирање на температурата во просторот	НЕ
				со механички термостат за контрола на температурата во просторијата	ДА
				со електронска контрола на температурата во просторијата	НЕ
				електронска контрола температурата во просторијата и плус дневен тајмет	НЕ
				електронска контрола на температурата во просторијата и плус неделен тајмер	НЕ
				Други контролни опции (можни се неколку опции)	
				контрола на температурата во просторијата со сензор	НЕ
				контрола на температурата во просторијата, со сензор при отворање на прозорецотворен прозорец	НЕ
				со опција за далечински управувач	НЕ
				со прилагодлива контрола на стартот	НЕ
				со ограничено работно време	НЕ
				со сензор за сијалица	НЕ
Контакт информации	Производител: CladSwiss AG, Bahnhofstrasse 27, 6300 Zug, Швајцарија. Е-пошта: info@cladswiss.com				

Барања информации за електрични греалки					
ID (и) на моделот: Sport Line EOH/LT-IIW EEC					
Побарсвање	Симбол	Цена	Ед. мерка	Побарување	Ед. мерка
Моќ на топлина				Видови топлинско снабдување, само за локални грејачи со електрично складирање (изберете еден)	
Номинална /фактичка излезна топлина	P_{nom}	2.2	kW	рачно регулирање на полнењето на топлината, со вграден термостат	ДА
Минимален излез на топлина (приближно)	P_{min}	1	kW	рачно регулирање на термичкото полнење со повратна информација за внатрешната и/или надворешната температура	НЕ
Максимално континуирано производство на топлина	$P_{max,c}$	2.2	kW	електронска контрола/управување на топлината во затворен простор и/или на отворен простор	НЕ
Помошна потрошувачка на енергија				излезност на топлина од вентилаторот	НЕ
Номинална/фактичка моќност на греење	eI_{max}		kW	Дисипација на топлина/тип на контрола на температурата во просторијата (изберете еден)	
Минимална дисипација на топлина	eI_{min}		kW	едностепенa дисипација на топлината без контролирање на температурата во просторот	НЕ
Состојба на мирување	eI_{sb}		kW	уште две рачни состојби без контролирање на температурата во просторот	НЕ
				со механички термостат за контрола на температурата во просторијата	ДА
				со електронска контрола на температурата во просторијата	НЕ
				електронска контрола температурата во просторијата и плус дневен тајмет	НЕ
				електронска контрола на температурата во просторијата и плус неделен тајмер	НЕ
				Други контролни опции (можни се неколку опции)	
				контрола на температурата во просторијата со сензор	НЕ
				контрола на температурата во просторијата, со сензор при отворање на прозорецотворен прозорец	НЕ
				со опција за далечински управувач	НЕ
				со прилагодлива контрола на стартот	НЕ
				со ограничено работно време	НЕ
				со сензор за сијалица	НЕ
Контакт информации	Производител: CladSwiss AG, Bahnhofstrasse 27, 6300 Zug, Швајцарија. Е-пошта: info@cladswiss.com				

You can get additional information about this and other products directly from the Seller or through our information lines:

Contact us «CladSwiss»
Switzerland, 6300 Zug, Bahnhofstrasse 27.

About the equipment purchase and cooperation:
Tel: +41 41 532 50 00
E-mail: info@cladswiss.com

For technical and service issues:
Tel. +41 41 532 50 01
E-mail: service@cladswiss.com

Internet address: www.home-comfort.com

Product Details (populated upon sale) • Detajet e produktit (të populluara pas shitjes)
• Szczegóły produktu (wypełniane w momencie sprzedaży) • Informații despre articol (se completează la vânzare) • Информация за продукта (попълва се при продажба)
• Informace o produktu (vyplní se při prodeji) • Információ az árurol (eladáskor kitöltendő)
• Detalji o proizvodu (popunjeni prilikom prodaje) • Podaci o proizvodu (popunjana se prilikom prodaje) • Podatki o izdelku (izpolnite ga ob prodaji) • Информации за производот (што треба да се пополнат кога производот се продава) • Πληροφορίες για το προϊόν (να συμπληρωθούν κατά την πώληση)

Model • Modelul • Модел • Modell
• Модел • Μοντέλο

Serial number • Numër serik • Serijski broj
• Numer seryjny • Numărul seriei • Серийн номер • Sériové číslo • Sorozatszám
• Serijska številka • Сериски број
• Σειριακός αριθμός

Date of sale • Data e shitjes • Datum prodaje
• Data sprzedaży • Data vânzării
• Дата на продажба • Datum prodeje
• Az eladás dátuma • Датум на продажба
• Ημερομηνία πώλησης

Seller Seal • Yula e shitësit • Peçat prodavaça
• Pieczęć sprzedawcy • Ștampila vânzătorului
• Печат на продавача • Prodejce Seal
• Az eladó pecsétje • Peçat prodavca
• Žig prodajalca • Печатот на продавачот
• Πωλητής Σφραγίδα



www.home-comfort.com



Electrolux is a registered trademark used under license from AB Electrolux (publ.).

This manual may contain technical and typing errors. Changes to technical characteristics and assortment are subject to change without notice.



RoHS IP20

